

SINK DESCRIPTION

- Manufactured of 20 gauge, type 301 nickel-bearing stainless steel
- Single bowl is 14" x 16" x 5-1/2"
- The sink ledge has two fixture mounting holes, 1-1/2" in diameter located on each end of the sink
- Has one 3-1/2" diameter recessed drain opening
- Is fully undercoated with a sound and temperature insulating material
- The exposed surfaces are polished to a lustrous satin tone finish
- Includes all necessary mounting hardware

CUT OUT DIMENSIONS

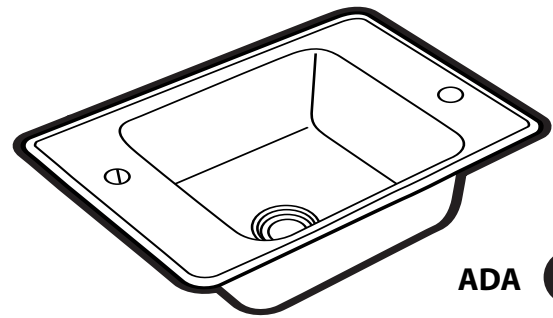
- Cut out dimensions are 23-1/2" x 16-1/2", with a 1-1/4" corner radius. A tolerance of plus or minus 1/16" is acceptable

STANDARDS

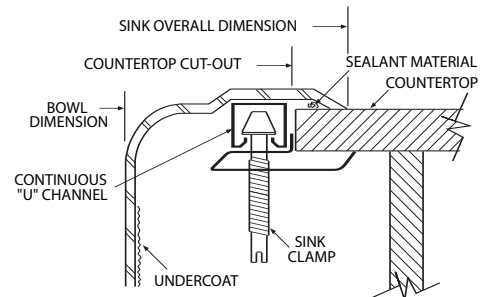
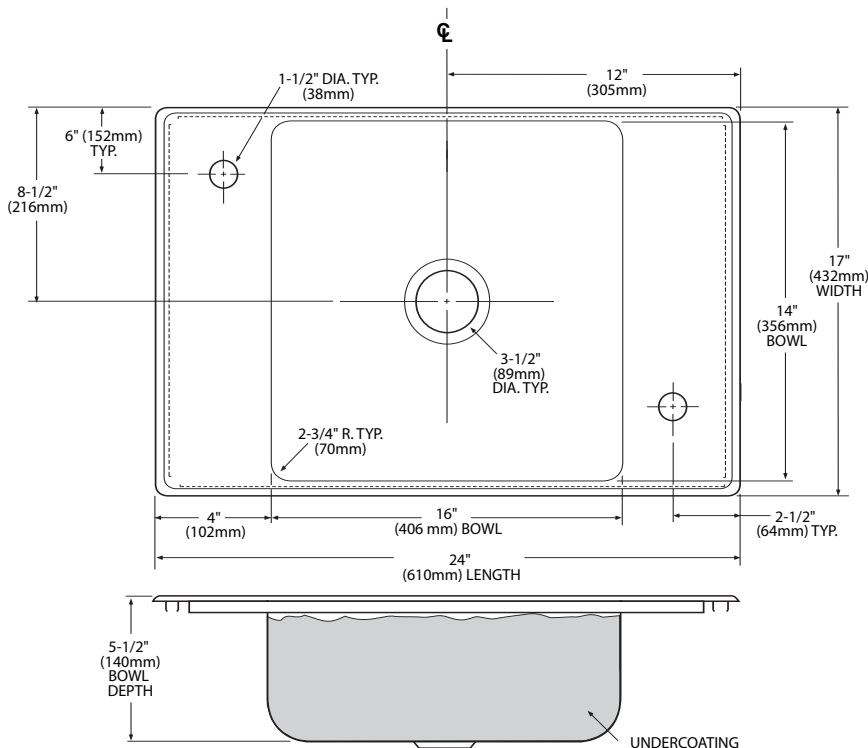
- Third party certified by CSA and IAPMO to meet ASME A112.19.3M and all applicable specifications referenced therein

WARRANTY

- Warranted for 5 years against material or manufacturing defects



Single Bowl Classroom Sink
Model: 22132
(C2417)



Installation Detail

CRITICAL DIMENSIONS

(DO NOT SCALE)