

Spears® Technical Information

Part No: 6621-007

Valves

Compact Ball Valve

Desc: 3/4 PVC COMPACT

BALL VALVE THD EPDM

Part Code: 210

Weight(lbs): 0.317

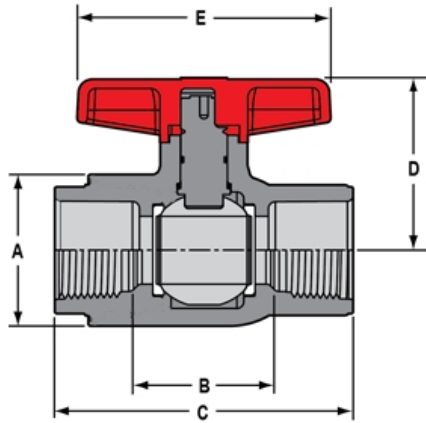
Weight(kg): 0.144

Weight(gm): 144

Size: 3/4"

Color: GRAY

Material: PVC



A = 1-13/16

B = 1-11/16

C = 3- 9/16

D = 2

E = 3

Cv = 87

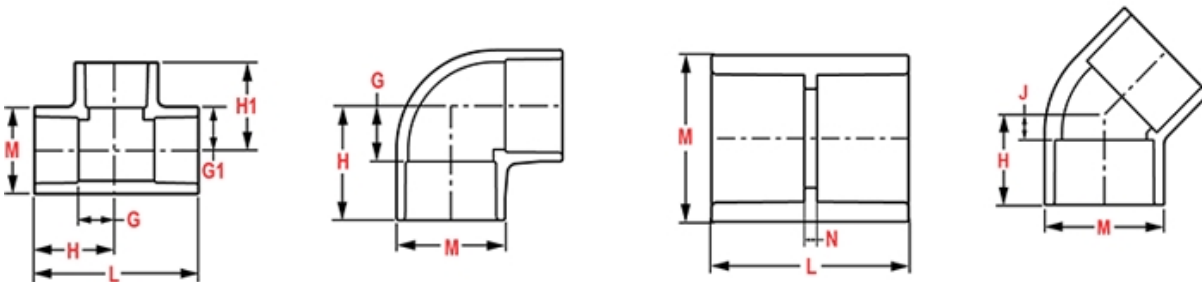
Values

Type Compact 2000
Connection Fipt
O-Ring EPDM
Pressure Rating 235 psi @ 73° F

Injection Molded Dimension References:

- G** = (LAYING LENGTH) intersection of center lines to bottom of socket/thread; 90° elbows, tees, crosses; ± 1/32 inch.
- H** = Intersection of center lines to face of fitting; 90° elbows tees, crosses; ± 1/32 inch.
- J** = Intersection of center lines to bottom of socket/thread; 45° elbows; ± 1/32 inch
- L** = Overall length of fittings; ± 1/16 inch.
- M** = Outside diameter of socket/thread hub; ± 1/16 inch.
- N** = Socket bottom to socket bottom; couplings; ± 1/16 inch.
- W** = Height of cap; ± 1/16 inch

Typical Molded Dimension References



The information printed here is based on current information & product design at the time of publication and is subject to change without notification. Spears® ongoing commitment to product improvement may result in some variation. No representation, guarantees or warranties of any kind are as to its accuracy, suitability for particular application or results to be obtained therefrom. For verification of technical data or additional information, please contact Spears® Technical Service Department :: WEST COAST : (818) 364-1611 - EAST COAST : (717) 938-9006