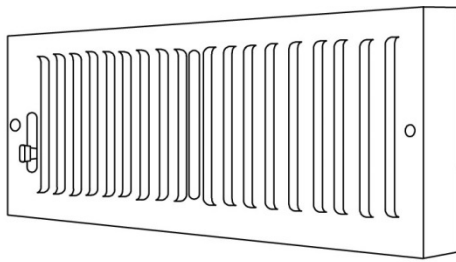




# Residential Submittal Sheet

855 Series

Stamped Baseboard Register



**Model:** 855

**Description:** Stamped Baseboard Register

**Standard Features:**

- Steel construction
- Fan shaped 1/2" spaced louvers
- Steel multi-shutter damper
- Margin edges are 7/8" projection for baseboard installation
- Mounting holes with color matching 2" baseboard Philips screws
- All component parts, rivets, linkage, and handle enclosed in valve to assure trouble-free operation
- Soft white

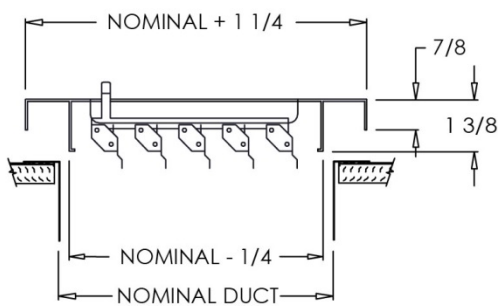
**Finishes:**

**Standard Colors**

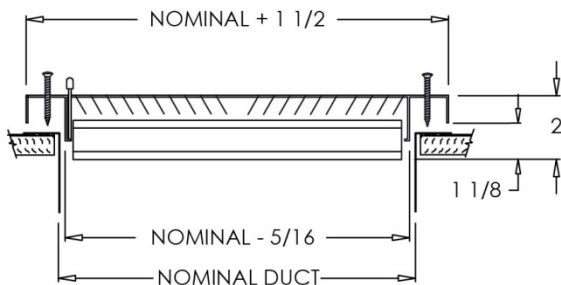
- Soft White
- Driftwood Tan

**Designer Colors**

- Almond
- Black Velvet
- Bronze
- Camaro Silver
- Coffee Tan
- Navajo White
- Vanilla



855



855

**Additional Information:**

Project / Location:
Engineer:
Architect:
Contractor:

**Submittal Notes**