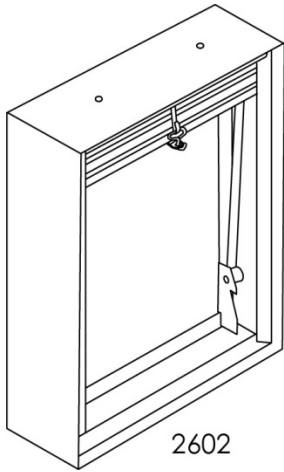




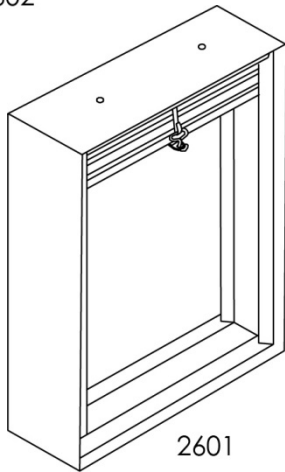
Fire Rated Submittal Sheet

2602 Series

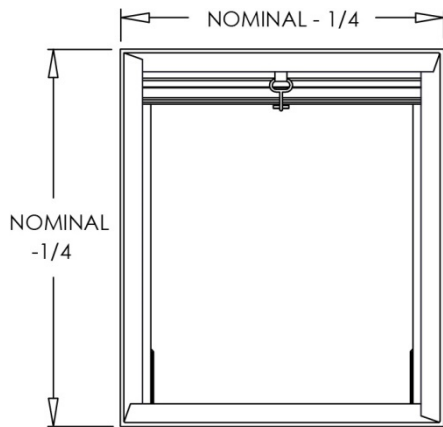
Standard Frame 1 1/2 Hour Curtain-Type Fire Damper



2602



2601



2601 & 2602

Model: 2602

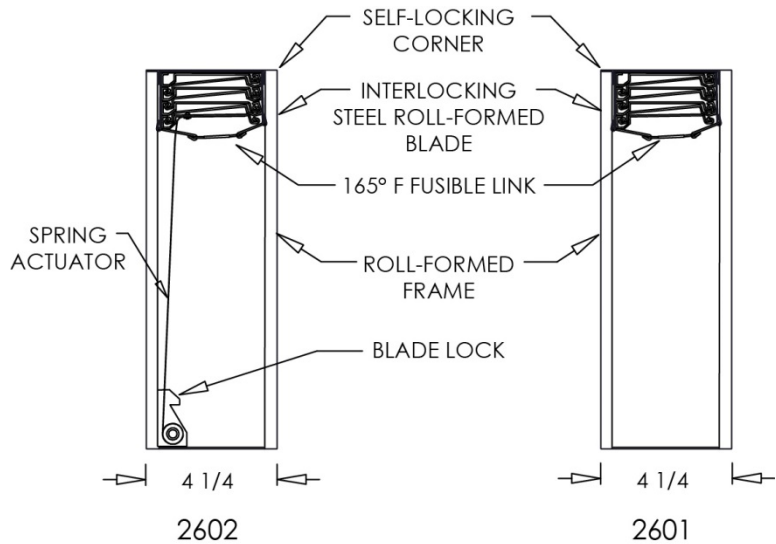
Description: Standard Frame 1 1/2 Hour Curtain-Type Fire Damper Spring Actuated

Standard Features:

- Square or rectangular spring actuated curtain-type fire damper for horizontal or vertical mount
- 4 1/4" standard roll formed frame
- Designed for use in wall, floors, and partitions with fire resistance ratings of 2 hours or less (for ceiling application, see 2700 Series)
- UL listed and tested in accordance with UL Standard 555
- 1 1/2 hour fire resistance rating
- Building materials rated 2 Hours or less
- CSFM California State Fire Marshal listed
- Interlocking steel roll-formed blade
- Blade lock to secure blades once product is activated
- Damper manufactured from corrosion tested galvanized mild steel (G-90)
- 165° replaceable fusible link
- Maximum dimensions 60"x60"

Options:

- Vertical mount only without spring actuator and blade lock, maximum dimensions single section 60"x60" or multiple sections 120"x120" (2601)
- Stainless steel
- Sleeves
- Fractional, exact O.D. dimensions



2602

2601

Additional Information:

Project / Location:
Engineer:
Architect:
Contractor:

Submittal Notes