

Standard Features:

- Extruded aluminum transfer door grille, single frame with signature line marks
- Designed to minimize vision through grille
- Accommodates door thicknesses ranging from 1 1/4" to 2 1/4"
- Fractional and exact sizes available
- Countersunk mounting holes with color matching Phillips Posidriv screws
- Rust resistant pre-coat with durable powder finish
- Driftwood Tan

Options:

- Aluminum transfer door grille with additional loose frame (4100)
- MRI Compatible

Finishes:

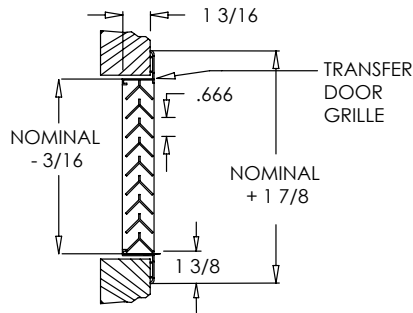
STANDARD COLORS

- Soft White
- Driftwood Tan

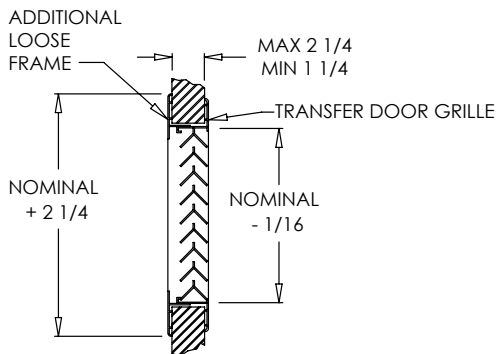
DESIGNER COLORS

- Black
- Bronze
- Storm Gray
- Cement Gray

- Aluminum Paint
- Coffee Tan
- Warm White
- Glossy White



4000 SERIES



4100 SERIES

Additional Information:

Submittal Notes

Project / Location:	
Engineer:	
Architect:	
Contractor:	