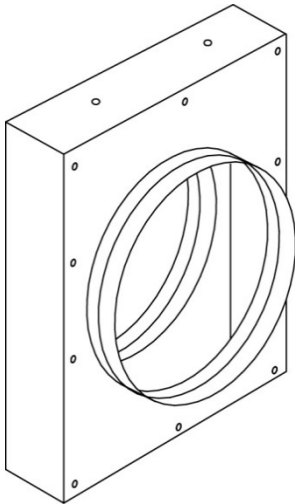




Fire Rated Submittal Sheet

2550 Series

Round Thin-line Out-of-Airstream 1 1/2 Hour Rated Fire Damper



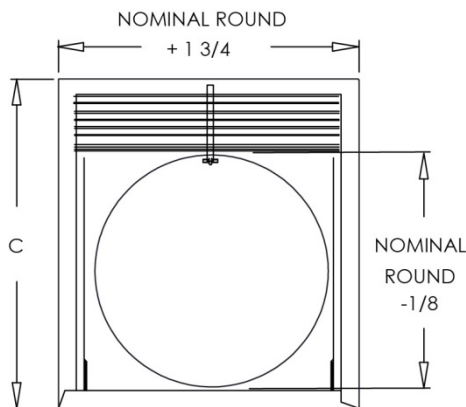
Model: 2550
Description: Round Thin-line Out-of-Airstream 1 1/2 Hour Rated Fire Damper

Standard Features:

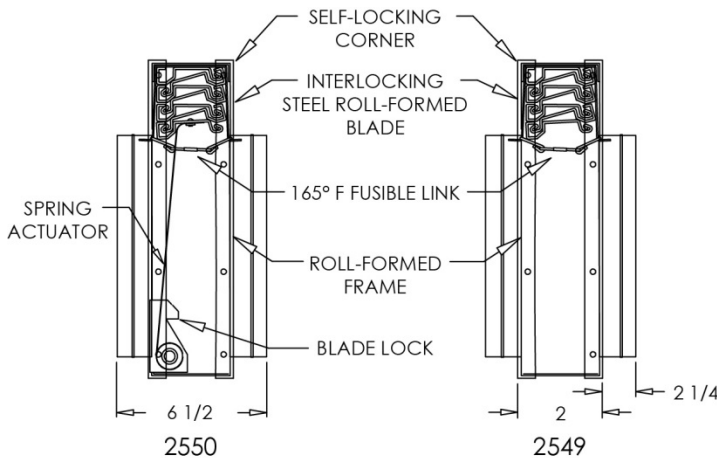
- Spring actuated curtain-type fire damper with 2 1/4" round connection for horizontal or vertical mount
- 2" thin-line roll formed out-of-airstream frame
- Designed for use in wall, floors, and partitions with fire resistance ratings of 2 hours or less (for ceiling application, see 2700 Series)
- UL listed and tested in accordance with UL Standard 555
- 1 1/2 hour fire resistance rating
- Building materials rated 2 hours or less
- CSFM California State Fire Marshal listed
- Interlocking steel roll-formed blade
- Blade lock to secure blades once product is activated
- Damper manufactured from corrosion tested galvanized mild steel (G-90)
- 165° replaceable fusible link
- Available in 4" through 29" round

Options:

- Vertical mount only, available 4" through 40" round (2549)
- Stainless steel
- Sleeves



2549 & 2550



2549 & 2550 Dimensions	
Duct Size	Height (C)
4" - 7"	+2 3/4"
8" - 12"	+3 3/4"
13" - 17"	+4 3/4"
18" - 24"	+5 3/4"
25" - 28"	+6 3/4"
29" - 34"	+7 3/4"
35" - 40"	+8 3/4"

Note: Duct sizes 30" - 41" available in 2549 only.

Example: Height (C) for 20" duct would be 25 3/4"

Additional Information:

Project / Location:	Submittal Notes
Engineer:	
Architect:	
Contractor:	