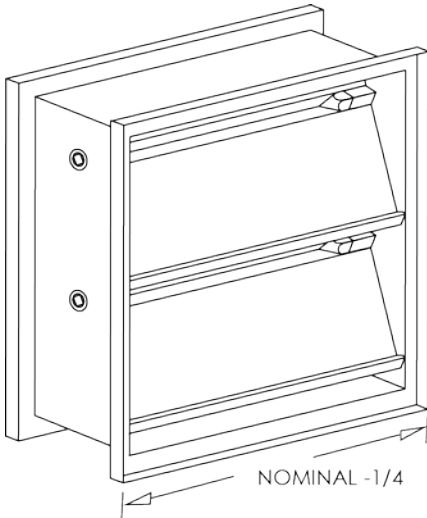




# Damper Louver Submittal Sheet

## 3550 Series

### Vertical Mount Backdraft Damper



**Model:** 3550

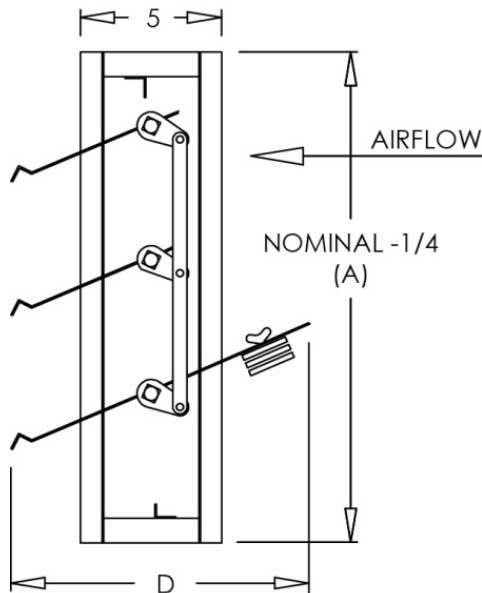
**Description:** Vertical Mount Backdraft Damper

**Standard Features:**

- Dampers are opened by air pressure differential and closed by gravity
- 16 gauge channel frame
- Galvanized blades are 26 gauge and vee stiffened for extra strength and stability
- Out of airstream linkage
- Single blades on dampers with a height of 10" or less
- Blades run parallel to first dimension given
- Square steel pivot pins in nylon bushings
- Foam blade edges to dampen noise
- Adjustable counter balance arms mounted to centers of blades. Adjustable weights can be positioned along arm for various opening pressures. (Available only on dampers with multiple blades.)
- Minimum size 6"x6"
- Maximum size 48"x48"
- Galvanized Finish

**Options:**

- Double blades on dampers with a height of 8" or 10" (i.e. 3550-8x8 DB.)
- Outside mounting flange
- Bronze bearings
- Sleeves (contact factory for details)
- Fractional and exact O.D. dimensions



3550	
Dimension (A)	Open Depth (D)
6"	11 5/8"
8"	13 5/8"
8" DB.	11 5/8"
10"	15 5/8"
10" DB.	11 5/8"
12"	11 5/8"
14"	12 1/8"
16"	13 3/8"
18"	14 3/8"
20"	12 7/8"
22"	13 3/8"
24"	14 3/8"

3550	
Dimension (A)	Open Depth (D)
26"	12 7/8"
28"	13 3/8"
30"	14 3/8"
32"	12 7/8"
34"	13 3/8"
36"	14 3/8"
38"	12 7/8"
40"	13 3/8"
42"	14 3/8"
44"	12 7/8"
46"	13 3/8"
48"	14 3/8"

**Additional Information:**

Project / Location:
Engineer:
Architect:
Contractor:

**Submittal Notes**