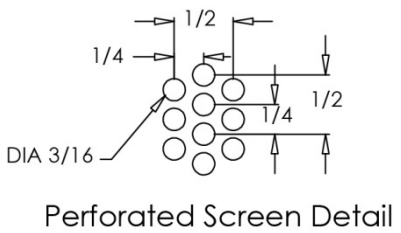
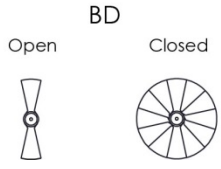
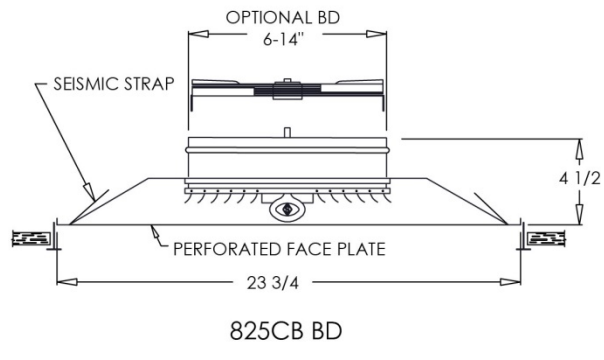
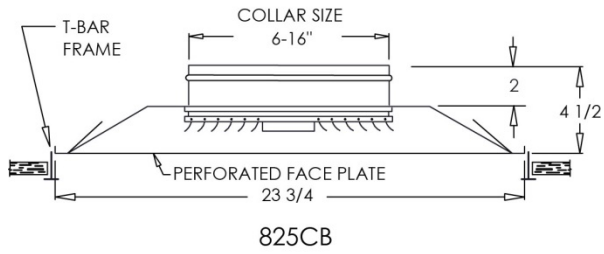
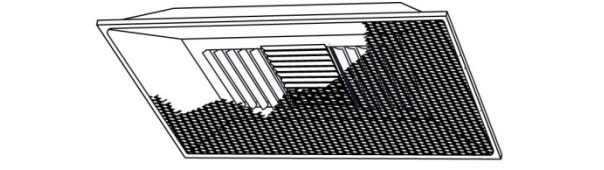




Commercial Submittal Sheet

825CB Series

Perforated Adjustable Curved Blade T-Bar Diffuser



Model: 825CB
Description: Perforated Adjustable Curved Blade T-Bar Diffuser

- Standard Features:**
- Adjustable curved blade diffuser
 - Nylon bushings on adjustable blades prevent metal on metal rattle
 - Hinged perforated face with spring push release for easy access
 - 3/16" holes on 1/4" staggered centers
 - 2" ADC compliant round collar with bead for ease of installation
 - Collar sizes available in 6"-10", 12", 14", and 16"
 - Rust resistant pre-coat with durable powder finish
 - Soft White

- Options:**
- BD – Field installable Bowtie Damper, available on sizes 6"-14"
 - Square Collar
 - Black Pan – Back pan powder coated black to reduce visibility into duct work
 - TVB – Thermal Vapor Blanket
 - NGD – Narrow ceiling grid dimples for 9/16" T-Rails, changes O.D. to 23 29/32"

- Finishes:**
- | | | |
|---|---|--|
| <p>Standard Colors</p> <ul style="list-style-type: none"> <input type="checkbox"/> Soft White | <p>Designer Colors</p> <ul style="list-style-type: none"> <input type="checkbox"/> Almond <input type="checkbox"/> Black Velvet <input type="checkbox"/> Bronze <input type="checkbox"/> Camaro Silver <input type="checkbox"/> Coffee Tan <input type="checkbox"/> Navajo White <input type="checkbox"/> Vanilla | <p>Other</p> <ul style="list-style-type: none"> <input type="checkbox"/> Aluminum Paint <input type="checkbox"/> Glossy White |
|---|---|--|

Product Notes:
 This product is available in 16", 18" and 20" round collar sizes (only), these collar sizes change the overall depth to 5 3/8".

Additional Information:

Project / Location:
Engineer:
Architect:
Contractor:

Submittal Notes