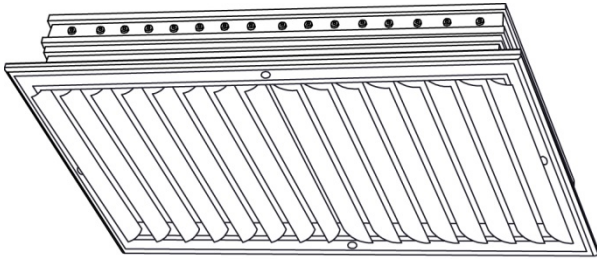




Commercial Submittal Sheet

CB Series

Adjustable Curved Blade Diffuser



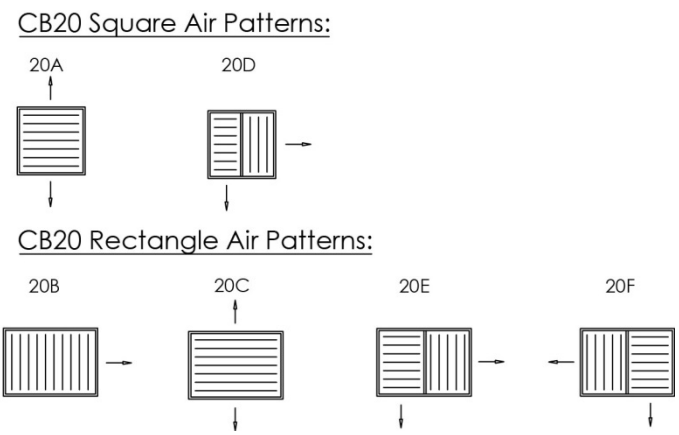
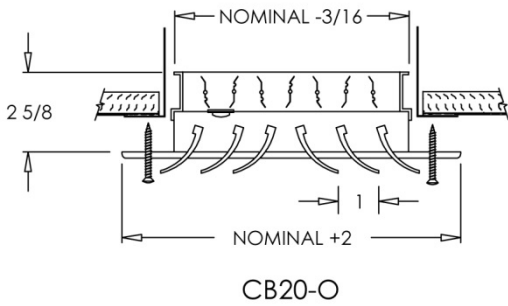
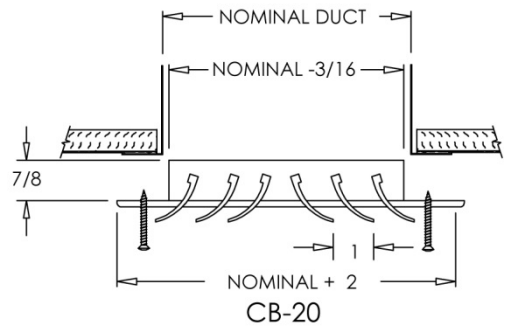
Model: CB20
Description: Adjustable Aluminum Curved Blade Diffuser with Two-Way Air Pattern

- Standard Features:**
- Adjustable aluminum curved blades
 - Nylon bushings on adjustable blades prevent metal on metal rattle
 - Extruded aluminum surface mount frame with signature line marks
 - Designed for two-way air deflection
 - Countersunk mounting holes for flush appearance with color matching Philips posi-drive screws
 - Rust resistant pre-coat with durable powder finish
 - Soft White

- Options:**
- Recessed screwdriver operated Opposed Blade Damper (CB20-0)
 - 2" ADC compliant round collar with bead for ease of installation – available in square sizes only
 - MRI Compatible
 - T-20 Tamper Proof Screws

- Air Patterns:**
- | | |
|---------------------------------|---------------------------------|
| <input type="checkbox"/> CB-20A | <input type="checkbox"/> CB-20D |
| <input type="checkbox"/> CB-20B | <input type="checkbox"/> CB-20E |
| <input type="checkbox"/> CB-20C | <input type="checkbox"/> CB-20F |

- Finishes:**
- | | | |
|--|--|---|
| Standard Colors | Designer Colors | Other |
| <input type="checkbox"/> Soft White | <input type="checkbox"/> Almond | <input type="checkbox"/> Coffee Tan |
| <input type="checkbox"/> Driftwood Tan | <input type="checkbox"/> Black Velvet | <input type="checkbox"/> Navajo White |
| | <input type="checkbox"/> Bronze | <input type="checkbox"/> Vanilla |
| | <input type="checkbox"/> Camaro Silver | <input type="checkbox"/> Aluminum Paint |
| | | <input type="checkbox"/> Glossy White |
| | | <input type="checkbox"/> Mill Finish |



Additional Information:

Project / Location:
Engineer:
Architect:
Contractor:

Submittal Notes
