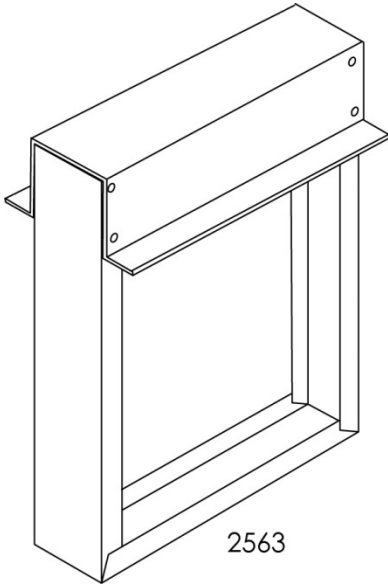




# Fire Rated Submittal Sheet

2563 Series

Thin-line Out-of-Airstream 3 Hour Rated Fire Damper



**Model:** 2563

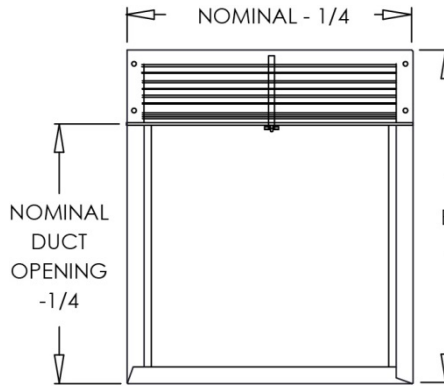
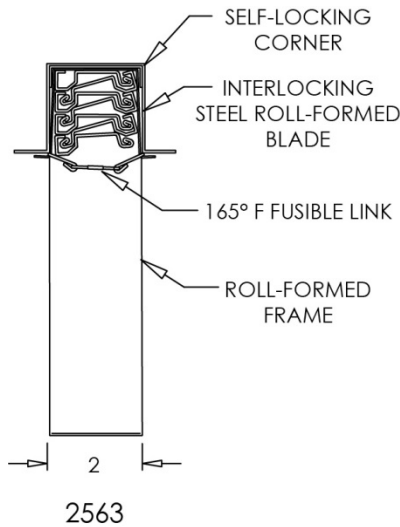
**Description:** Thin-line Out-of-Airstream 3 Hour Rated Fire Damper

**Standard Features:**

- Square or rectangular curtain-type fire damper for vertical mount
- 2" thin-line roll formed out-of-airstream frame
- Designed for use in wall and partitions with fire resistance ratings of 3 hours or less (for ceiling application, see 2700 Series)
- UL listed and tested in accordance with UL Standard 555
- 3 hour fire resistance rating
- Building materials rated 4 Hours or less
- CSFM California State Fire Marshal listed
- Interlocking steel roll-formed blade
- Damper manufactured from corrosion tested galvanized mild steel (G-90)
- 165° replaceable fusible link
- Maximum dimensions 48" W, 41" H

**Options:**

- Stainless steel
- Sleeves
- Fractional, exact O.D. dimensions



2563 Frame Height	
Duct Size	Height (B)
4" - 7"	+1 3/4"
8" - 12"	+2 3/4"
13" - 17"	+3 3/4"
18" - 24"	+4 3/4"
25" - 28"	+5 3/4"
29" - 34"	+6 3/4"
35" - 40"	+7 3/4"

**Example:** Height (B) for 20" duct would be 24 3/4"

**Additional Information:**

Project / Location:
Engineer:
Architect:
Contractor:

**Submittal Notes**