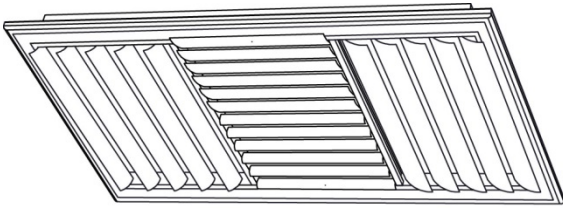




Commercial Submittal Sheet

CBT Series

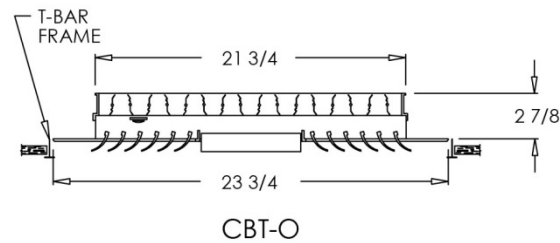
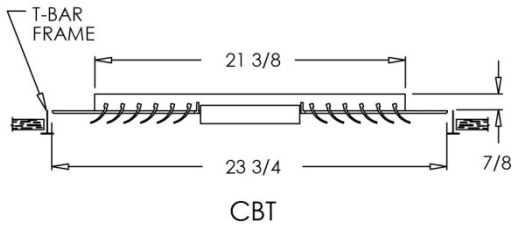
Adjustable Curved Blade Diffuser T-Bar



Model: CBT
Description: Adjustable Aluminum Curved Blade Diffuser T-Bar

Standard Features:

- 2 x 2 adjustable aluminum curved blade T-Bar lay-in diffuser
- Extruded aluminum frame with signature line marks
- Adjustable aluminum curved blades set in nylon bushings for easy and quiet setting of blades
- Designed for four-way air pattern
- Square collar designed for 22" x 22" duct
- Soft White



Options:

- Recessed screwdriver operated Opposed Blade Damper (CBT-0)
- Square to round ADC compliant 2" No Labor Collar with roll formed retention bead (CBT-NLC)
- Optional air patterns available, see below for details
- 1 x 2 T-Bar (10" x 22" duct)
- 2 x 4 T-Bar (22" x 46" duct)

Finishes:

Standard Colors

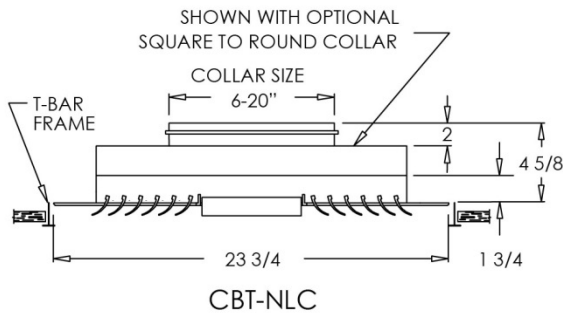
- Soft White
- Driftwood Tan

Designer Colors

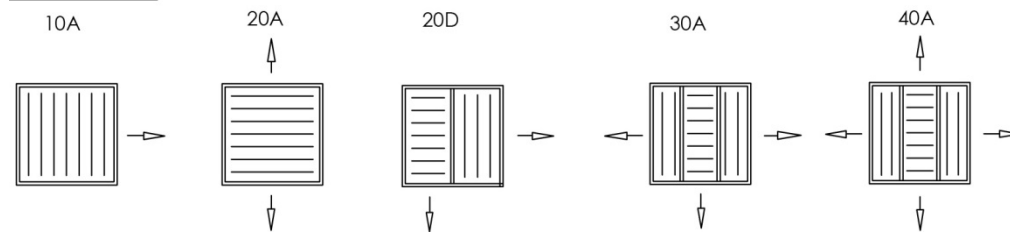
- Almond
- Black Velvet
- Bronze
- Camaro Silver
- Coffee Tan
- Navajo White
- Vanilla

Other

- Satin Anodized



Air Patterns



Additional Information:

Project / Location:
Engineer:
Architect:
Contractor:

Submittal Notes