



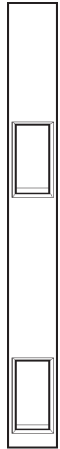
Swanstone Bath Accessories Chart

WARRANTY
 Limited Lifetime – Residential
 Limited 25-year – Commercial

DSP-2 Tub Wall Soap Shelf Panel

| Model | Part | Dimensions | Ship Wt. Lb. | Ship FedEx | Carton Dims. In. | Cu. Ft. |
|-------|-----------|------------------|--------------|------------|------------------|---------|
| DSP-2 | SS60000SD | 6-1/2" W x 60" H | 9 | FedEx | 61 x 8 x 5 | 1.42 |

Kit Includes: One 6-1/2" x 60" panel with two molded-in soap shelves



DSP-2

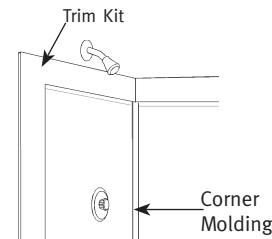
Swanstone Wall Panel Trim Kits

| Model | Part | Dimensions | Ship Wt. Lb. | Ship FedEx | Carton Dims. In. | Cu. Ft. |
|-----------|-----------|------------|--------------|------------|------------------|---------|
| TK-6072 | TK06072 | – | 23 | FedEx | 76 x 10 x 3 | 1.32 |
| TK-105 | TK00105 | – | 32 | – | 107 x 10 x 3 | 1.86 |
| TK-105-TP | TK00105TP | – | 10 | – | 107 x 10 x 3 | 1.86 |

TK-6072 accommodates Swanstone 60" or 72" high bathtub and shower wall panel systems.
 Kit Includes: Four 3-7/8" x 74" trim strips, two 1-1/4" x 1/2" x 72" corner moldings and one tube of color coordinated silicone.

TK-105 accommodates Swanstone 96" high shower wall panel system.
 Kit Includes: Two 3-7/8" x 105" trim strips, two 3-7/8" x 74" trim strips, two 1-1/4" x 1/2" x 96" corner moldings and one tube of color coordinated silicone.

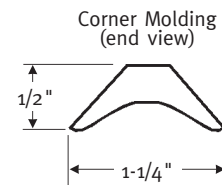
TK-105-TP: Single trim piece
 Kit includes: One 3-7/8" x 105" trim piece. Can be cut to use with 72" walls.



TK-6072
TK-105

Swanstone Corner Moldings (set of 2)

| Model | Part | Dimensions | Ship Wt. Lb. | Ship FedEx | Carton Dims. In. | Cu. Ft. |
|---------|---------|---------------------------|--------------|------------|------------------|---------|
| CM-2072 | CM00072 | 1/2" D x 1-1/4" W x 72" H | 4 | FedEx | 73 x 2 x 2 | .17 |
| CM-2096 | CM00096 | 1/2" D x 1-1/4" W x 96" H | 6 | FedEx | 97 x 2 x 2 | .22 |

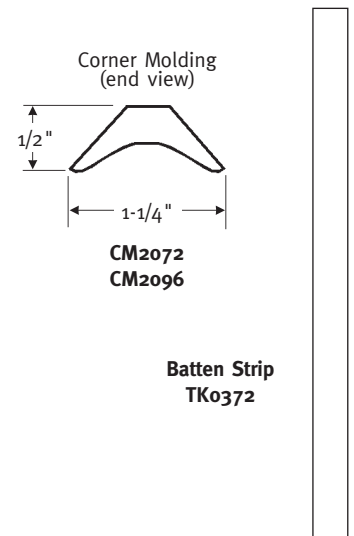


CM2072
CM2096

TK-0372 Batten Strip

| Model | Part | Dimensions | Ship Wt. Lb. | Ship FedEx | Carton Dims. In. | Cu. Ft. |
|---------|---------|---------------------------|--------------|------------|------------------|---------|
| TK-0372 | TK00372 | 1/4" D x 3-3/4" W x 72" H | 5 | FedEx | 73 x 4 x 1 | .17 |

Kit Includes: One 3-3/4" x 72" flat batten strip

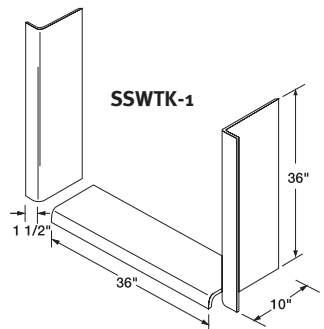


Batten Strip
TK0372

SSWTK-1 Swanstone Window Trim Kit

| Model | Part | Dimensions | Ship Wt. Lb. | Ship FedEx | Carton Dims. In. | Cu. Ft. |
|------------------|---------|------------|--------------|------------|------------------|---------|
| SSWTK-1 (single) | TK03610 | – | 30 | FedEx | 37 x 12 x 4 | 1.03 |

Designed for window sill applications up to 36" wide and 10" deep.
 Kit Includes: One horizontal Swanstone sill panel and two vertical Swanstone jamb panels.
 Packaging: Packed in individual cartons, both singly* and with a master carton (6 pack).



SSWTK-1

SS-29 and SS-72 Installation Kits

| Model | Part | Dimensions | Ship Wt. Lb. | Ship FedEx | Carton Dims. In. | Cu. Ft. |
|---------|---------|------------|--------------|------------|------------------|---------|
| SS-29* | SS29000 | – | 6 | FedEx | 12 x 7 x 7 | .34 |
| SS-72** | Ss72000 | – | 2 | FedEx | 14 x 7 x 4 | .23 |

*Kit Includes: Four tubes of clear silicone and one tube of color coordinated silicone to mount wall panels. One kit per tub wall panel system. Packed in individual cartons.
 **Kit Includes: One tube of clear silicone and one tube of color coordinated silicone to attach single panel to any properly prepared surface. For multiple panel applications, more than one kit will be required. One kit per panel. Packed in individual cartons.



SS-29



SS-72

MADE IN USA