

B5 Butterfly Valve - Lug & Wafer Style • Spec Sheet

Lug Style



Certified to NSF/ANSI 61 & 372
NSF Approved Up to 12".
14"-36" Only with EPDM
Seat & SS Disc



SP-67 Compliant

MATERIAL SPECIFICATIONS

| Part | Material |
|----------------|--|
| Body | Ductile Iron ASTM A536 (for DI Disc) Cast Iron ASTM A 126B (for SS & AB Disc) |
| Discs | Ductile Iron, SS-CF8M, Aluminum Bronze |
| Seats | EPDM, BUNA, Viton |
| Stem | 420SS |
| Bushing | Graphite |
| O - Ring | EPDM, BUNA, Viton |
| Gear 2" – 12" | Cast Iron ASTM A126B |
| Gear 14" – 36" | Ductile Iron ASTM A536 |
| Lever | Ductile Iron ASTM A536 |

Wafer Style

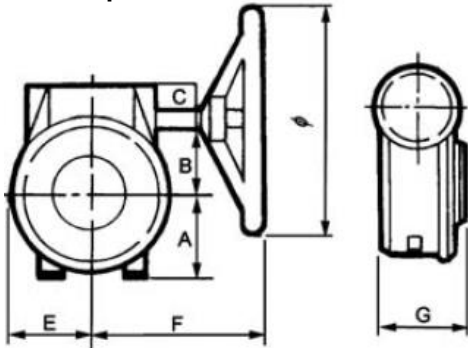


Certified to NSF/ANSI 61 & 372
NSF Approved Up to 12".
14"-36" Only with EPDM
Seat & SS Disc



SP-67 Compliant

Gear Operator



| Valve Size | A | B | C | E | F | G | Ø |
|------------|------|------|------|------|-------|------|-------|
| 2" - 6" | 1.98 | 1.52 | 1.22 | 2.06 | 3.20 | 2.70 | 5.91 |
| 8" - 10" | 3.15 | 2.13 | 1.65 | 2.09 | 9.05 | 3.05 | 11.81 |
| 12" - 14" | 3.10 | 2.73 | 1.52 | 3.30 | 10.24 | 3.27 | 11.81 |
| 16" - 20" | 5.10 | 4.30 | 1.93 | 5.12 | 11.26 | 4.60 | 11.81 |

Suitable for Bi-directional Double
Dead End Service (Lug Style Only)

Rated Flow Coefficient (Cv) B5 Valve*

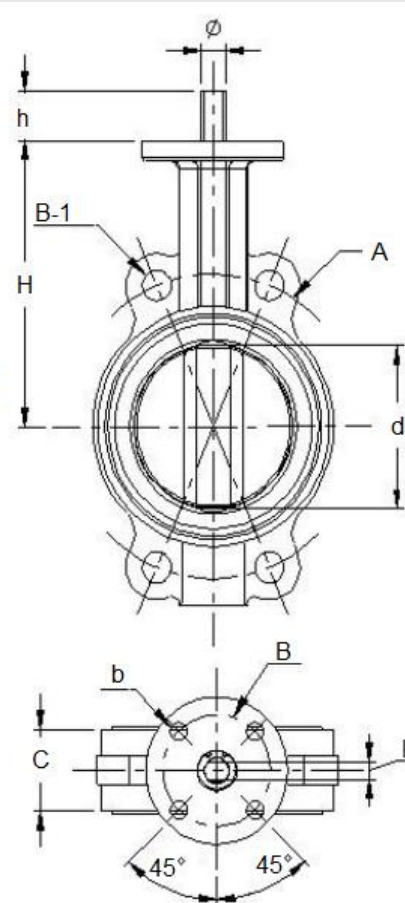
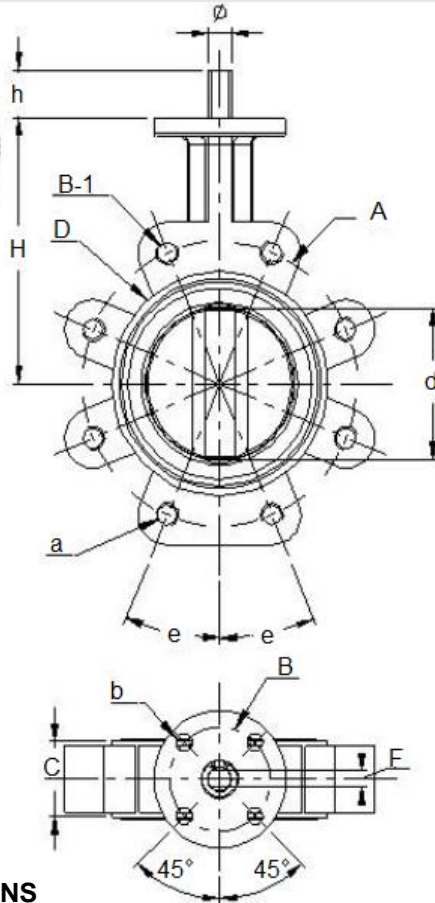
| Valve Size | Angle of Disc Opening | | | | | | | | |
|------------|-----------------------|--------|------|------|-------|-------|-------|-------|-------|
| | 10° | 20° | 30° | 40° | 50° | 60° | 70° | 80° | 90° |
| 2" | 1.67 | 7.70 | 17 | 29 | 48 | 74 | 115 | 145 | 195 |
| 2.5" | 2.50 | 11 | 25 | 44 | 69 | 109 | 174 | 237 | 307 |
| 3" | 3.33 | 15.70 | 37 | 64 | 105 | 165 | 276 | 377 | 487 |
| 4" | 5 | 27.70 | 63 | 110 | 177 | 278 | 472 | 671 | 827 |
| 5" | 8.33 | 43.70 | 99 | 177 | 276 | 443 | 752 | 1083 | 1325 |
| 6" | 13.33 | 58.70 | 136 | 242 | 385 | 616 | 1075 | 1521 | 1883 |
| 8" | 20 | 107.30 | 247 | 434 | 687 | 1094 | 1821 | 2671 | 3239 |
| 10" | 31.67 | 174 | 394 | 696 | 1092 | 1770 | 2983 | 4288 | 5210 |
| 12" | 47.00 | 251.70 | 578 | 1002 | 1665 | 2654 | 4398 | 6466 | 8026 |
| 14" | 61.30 | 326 | 765 | 1373 | 2183 | 3395 | 5713 | 8337 | 10179 |
| 16" | 81.70 | 426 | 1000 | 1783 | 2816 | 4494 | 7556 | 10981 | 13322 |
| 18" | 106 | 549 | 1294 | 2279 | 3614 | 5779 | 9755 | 14148 | 17738 |
| 20" | 125 | 684 | 1598 | 2862 | 4579 | 7181 | 12178 | 17906 | 22113 |
| 24" | 233 | 1009 | 2329 | 4081 | 6587 | 10347 | 17078 | 25218 | 31051 |
| 30" | 364.7 | 1537 | 3757 | 6571 | 10568 | 16861 | 27767 | 39752 | 50783 |
| 36" | 575 | 2498 | 5495 | 9437 | 15261 | 24002 | 39806 | 56834 | 74958 |

*Cv is defined as the volume of water in US gallons per minute that will flow through a given restriction, or valve opening, with a drop of one psi at 60° F

B5 Butterfly Valve - Lug & Wafer Style • Spec Sheet

Lug Style

Wafer Style



NSF Approved Up to 12",
14"-36" Only with EPDM
Seat & SS Disc

NSF Approved Up to 12",
14"-36" Only with EPDM
Seat & SS Disc

VALVE DIMENSIONS

Torque in Inch lbs @ 100 PSI

| Size | H | d | D | A | a | B-1 | B | b | C | e | h | StemØ | F (flat) | Key |
|------|-------|-------|-------|-------|-----------|------|-------|------|------|--------|------|-------|----------|-------------|
| 2" | 5.51 | 2.05 | 3.54 | 4.75 | 4-5/8" | 0.75 | 2.25 | 0.30 | 1.61 | 45° | 1.37 | 0.56 | 0.375 | N/A |
| 2.5" | 6.02 | 2.48 | 4.02 | 5.50 | 4-5/8" | 0.75 | 2.25 | 0.30 | 1.75 | 45° | 1.37 | 0.56 | 0.375 | N/A |
| 3" | 6.26 | 3.07 | 4.69 | 6.00 | 4-5/8" | 0.75 | 2.25 | 0.30 | 1.75 | 45° | 1.37 | 0.56 | 0.375 | N/A |
| 4" | 7.00 | 4.09 | 5.90 | 7.50 | 8-5/8" | 0.75 | 2.75 | 0.44 | 2.00 | 22.5° | 1.37 | 0.63 | 0.44 | N/A |
| 5" | 7.50 | 4.85 | 7.13 | 8.50 | 8-3/4" | 0.87 | 2.75 | 0.44 | 2.12 | 22.5° | 1.37 | 0.75 | 0.5 | N/A |
| 6" | 8.01 | 5.95 | 8.19 | 9.50 | 8-3/4" | 0.87 | 2.75 | 0.44 | 2.12 | 22.5° | 1.37 | 0.75 | 0.5 | N/A |
| 8" | 9.50 | 7.92 | 10.24 | 11.75 | 8-3/4" | 0.87 | 3.54 | 0.56 | 2.50 | 22.5° | 1.37 | 0.88 | 0.625 | N/A |
| 10" | 10.75 | 9.79 | 12.64 | 14.25 | 12-7/8" | 1.00 | 3.54 | 0.56 | 2.50 | 15° | 1.53 | 1.13 | 0.85 | N/A |
| 12" | 12.24 | 11.44 | 14.57 | 17.00 | 12-7/8" | 1.00 | 4.25 | 0.56 | 2.99 | 15° | 1.53 | 1.13 | 0.85 | N/A |
| 14" | 12.00 | 13.05 | 17.01 | 18.75 | 12-1" | 1.06 | 5.00 | 0.56 | 2.99 | 15° | 2.41 | 1.37 | N/A | 1-5/16X5/16 |
| 16" | 12.99 | 13.33 | 19.63 | 21.25 | 16-1" | 1.06 | 5.00 | 0.56 | 4.00 | 11.25° | 2.41 | 1.62 | N/A | 1-3/8X3/8 |
| 18" | 14.50 | 17.19 | 21.42 | 22.75 | 16-1 1/8" | 1.19 | 6.50 | 0.81 | 4.24 | 11.25° | 3.15 | 1.87 | N/A | 1-1/2X1/2 |
| 20" | 15.87 | 19.15 | 23.82 | 25.00 | 20-1 1/8" | 1.19 | 6.50 | 0.81 | 4.98 | 9° | 3.15 | 2.12 | N/A | 1-1/2X1/2 |
| 24" | 22.24 | 23.28 | 28.50 | 29.29 | 20-1 1/4" | 1.38 | 6.50 | 0.81 | 6.00 | 9° | 3.15 | 2.12 | N/A | 2-1/2X1/2 |
| 30" | 23.23 | 29.33 | 33.31 | 36.00 | 28-1 1/4" | 1.38 | 10.00 | 0.71 | 6.54 | 6.43° | 4.00 | 2.50 | N/A | 2-5/8X5/8 |
| 36" | 28.35 | 35.04 | 39.92 | 42.76 | 32-1 1/2" | 1.63 | 11.73 | 0.91 | 7.95 | 5.63° | 4.61 | 3.15 | N/A | 2-5/8X7/8 |

| Size | Torque |
|------|--------|
| 2" | 120 |
| 2.5" | 160 |
| 3" | 190 |
| 4" | 280 |
| 5" | 400 |
| 6" | 600 |
| 8" | 1100 |
| 10" | 2000 |
| 12" | 2515 |
| 14" | 4800 |
| 16" | 8800 |
| 18" | 12390 |
| 20" | 15930 |
| 24" | 22125 |
| 30" | 44250 |
| 36" | 57525 |



Global sourcing. National compliance. Local service.

CALIFORNIA 5595 Fresca Dr., La Palma CA 90623 • Phone: 866-532-8306 • Fax: 866-532-8307
TEXAS 1150 Silber Rd., Houston TX 77055 • Phone: 800-935-5456 • Fax: 713-680-2999
ILLINOIS 278 Windy Point Dr., Glendale Heights, IL 60139 • Phone: 844-412-5068 • Fax: 800-640-2252
NEW YORK PO Box 27, Rt.22, Brewster NY 10509 • Phone: 800-431-2082 • Fax: 845-278-9056
 WEB: www.matco-norca.com EMAIL: mail@matco-norca.com