



# SERVICE PARTS LIST

**BULLETIN NO.**  
**54-10-0115**

<b>SPECIFY CATALOG NO. AND SERIAL NO. WHEN ORDERING PARTS</b>		REVISED BULLETIN	DATE
<b>1/2" REVERSING COMPACT DRILL</b>		54-10-0114	May 2006
<b>CATALOG NO.</b>	<b>1630-1</b>	WIRING INSTRUCTION	
<b>STARTING SERIAL NO.</b>	<b>718B</b>	<b>58-01-0537</b>	

**EXAMPLE:**  
Component Parts (Small #) Are Included When Ordering The Assembly (Large #).

**RECALL NOTICE!**  
See back page for important safety information.

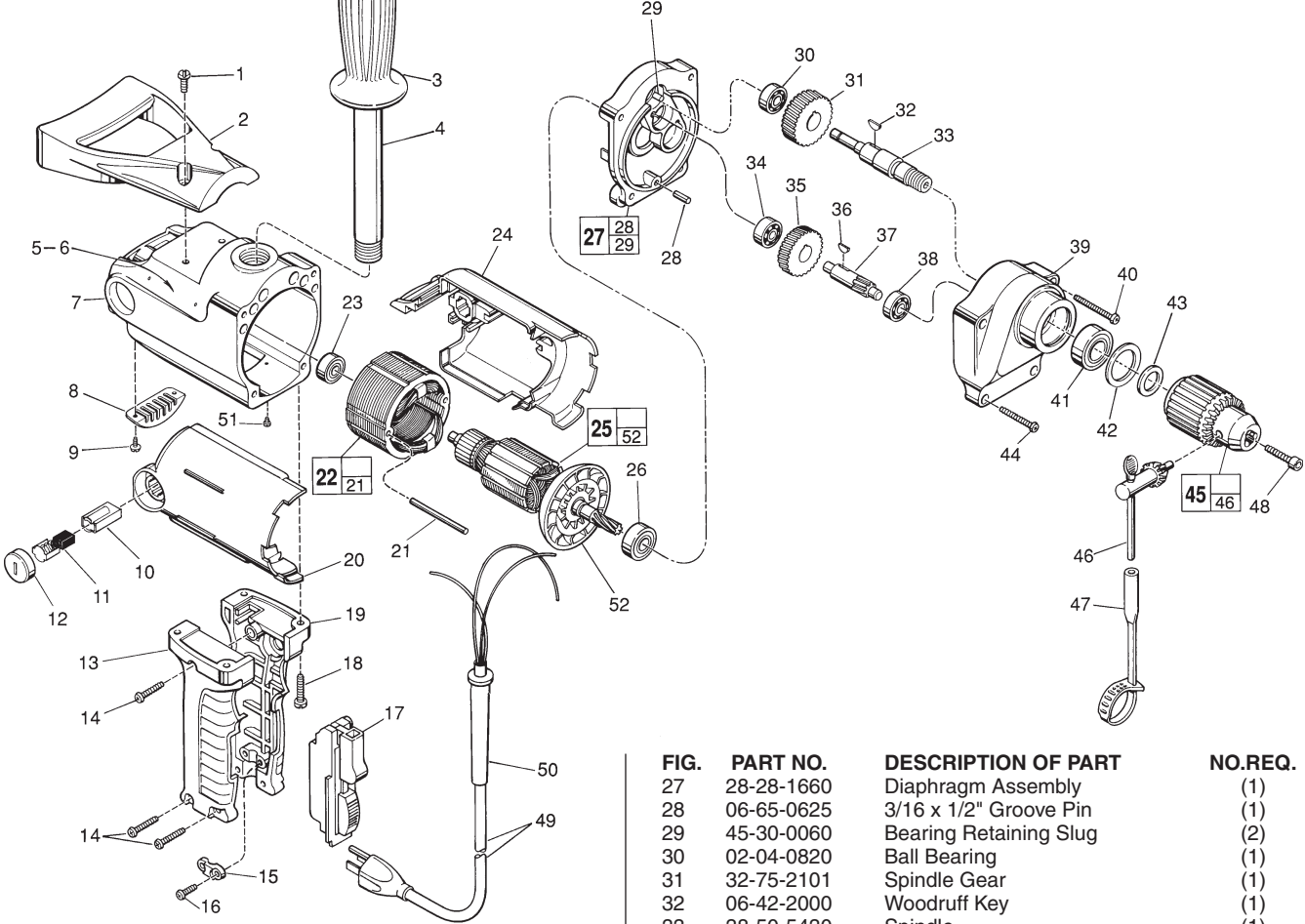


FIG.	PART NO.	DESCRIPTION OF PART	NO.REQ.
1	06-82-8908	12-24 x 3/4" Pan Hd. Slit. Tapt. T-27	(2)
2	31-44-1550	Spade Handle	(1)
3	43-62-0246	Handle Grip	(1)
4	43-62-0122	Pipe Handle	(1)
5	12-99-3150	Nameplate Blank	(1)
6	06-85-0200	6 x 1/4" Nameplate Screw	(2)
★ 7	26-50-6300	Motor Housing	(1)
8	44-66-5510	Cover Plate	(1)
9	06-82-5270	6-32 x 1/4" Pan Hd. Slit. Tapt. T-15	(2)
10	22-20-0660	Brush Tube	(2)
11	22-18-0680	Carbon Brush Assembly	(2)
12	23-44-0210	Brush Retaining Screw	(2)
★ 13	31-44-1441	Right Hand Handle Half	(1)
14	06-82-7326	8-16 x 1" Plastite T-20 Screw	(3)
15	31-17-0155	Cord Clamp	(1)
16	06-82-7270	8-16 x 5/8" Slit. Pan Hd. Plast. T-20	(2)
17	23-66-1020	On-Off 2 Speed Switch	(1)
★ 18	06-82-5382	1/4-20 x 3/4" Pan Hd. Slit. Taptite T-27	(4)
★ 19	31-44-1446	Left Hand Handle Half	(1)
20	23-16-1275	Motor Insulator Right Half	(1)
21	06-65-1230	Grooved Pin	(2)
22	18-50-0050	120 V. Field	(1)
23	02-04-0847	Ball Bearing	(1)
24	23-16-1276	Motor Insulator - Left Half	(1)
25	16-50-1050	120 V. Armature	(1)
26	02-04-1050	Ball Bearing	(1)

FIG.	PART NO.	DESCRIPTION OF PART	NO.REQ.
27	28-28-1660	Diaphragm Assembly	(1)
28	06-65-0625	3/16 x 1/2" Groove Pin	(1)
29	45-30-0060	Bearing Retaining Slug	(2)
30	02-04-0820	Ball Bearing	(1)
31	32-75-2101	Spindle Gear	(1)
32	06-42-2000	Woodruff Key	(1)
33	38-50-5430	Spindle	(1)
34	02-04-0820	Ball Bearing	(1)
35	32-40-1880	Intermediate Gear	(1)
36	06-42-1200	Woodruff Key	(1)
37	36-66-3101	Intermediate Shaft	(1)
38	02-04-0820	Ball Bearing	(1)
39	28-14-1705	Gear Case Assembly	(1)
40	06-82-7784	10-24 x 1-7/16" Tapt. T-27	(2)
41	02-04-1567	Ball Bearing	(1)
42	34-80-2500	Retaining Ring	(1)
43	45-88-0330	Chuck Washer	(1)
44	06-82-7752	10-24 x 1-3/16" Taptite Sem.T-27	(2)
45	48-66-1381	1/2" Reversing Chuck	(1)
46	48-66-3280	Chuck Key	(1)
47	48-66-4040	Key Holder	(1)
48	06-75-3150	1/4-20 x 1" Skt. Hd. Cap Screw L.H.	(1)
49	22-64-0121	Cord Set	(1)
50	44-76-0150	Cord Protector	(1)
51	06-95-5150	6-32 x 1/4" Hex Hd. Tapt. Sems	(1)
52	22-84-0660	Fan	(1)
★	10-98-5986	Warning Label	(1)
★	10-98-5984	French/Spanish Warning Label	(1)

**FIG. LUBRICATION**  
39 5-1/2 Oz. Type "E" Grease, 49-08-4122.

**MILWAUKEE ELECTRIC TOOL CORPORATION**  
13135 W. LISBON RD., BROOKFIELD, WI 53005  
Drwg. 6

## RECALL NOTICE!

Milwaukee is providing a **no-charge** warranty service to owners of **1610-1, 1630-1 1/2" Compact Hole-Shooter Drills and 1670-1, 1675-1 1/2" Hole-Hawg® Drills**. We are taking this action because under certain circumstances the switch of the drill may stick in the "on" position, which could lessen control of the product, posing a risk of injury to the operator.

**1610-1, 1630-1 1/2" Compact Hole-Shooter Drills and 1670-1, 1675-1 1/2" Hole-Hawg® Drills** within the serial number ranges shown below and sold between May 30,2000 and February 27, 2001 are affected.

Nameplate Catalog Number	Serial Number Range
1610-1	7 0 0 B 4 <u>00200013</u> thru 700B4 <u>00480097</u>
1630-1	7 1 8 B 4 <u>00230057</u> thru 718B4 <u>00480118</u>
1670-1	472B4 <u>00200061</u> thru 472B4 <u>00440188</u>
1675-1	413B4 <u>00190567</u> thru 413B4 <u>00522000</u>

**Drills** listed should **be inspected** for the presence of a **23-66-1020** Switch with a date code within 0021 through 0044. If the unit contains a subject dated coded 23-66-1020 switch, please return drill to the nearest Milwaukee **factory** Service Center or Authorized Service station for no-charge warranty replacement of the switch.

Affected switches carry a manufacture's four [4] digit **date code of 0021 t h r u 0044** imprinted on its body.



If nameplate has an '**X**' stamped into the tool's nameplate, next to the catalog number, the tool has been repaired and the defective switch has already been replaced.

**If you need assistance in locating the service facility nearest you or have questions please call 1.800.729.3878**