

# Price Pfister®

34 Series  
Serie 34  
Série 34

## Brookwood

Single Control Kitchen Faucet  
Grifo monomando para la cocina  
Mitigeur de Cuisine



Price Pfister

Lifetime Limited Mechanical & Pfinish Warranty  
Covers Pfinish and Pfunction for as Long as You  
Own Your Home  
(Commercial Applications Limit the Duration of the  
Warranties as Provided Below)

Price Pfister provides the following Warranties for its products. Proof of Purchase may be required in order to obtain any of the benefits set forth below.

**Limited Warranties:** Price Pfister warrants that for as long as the original purchaser owns the home in which the Price Pfister product (the "Product") is originally installed, the Product will be free of all defects in material and workmanship that would impair the intended and proper use of the Product. If the Product is installed in a commercial application, the above mechanical warranty shall be limited for a period of ten (10) years from the date of purchase of the Product.

Price Pfister warrants against deterioration of the Product's finish for as long as the original purchaser owns the home in which the Product is originally installed. If the Product is installed in a commercial application, the above finish warranty for Products that do not contain the Pforever finish shall be limited to a period of five (5) years from the date of purchase.

**Exclusive Remedy:** In the event of any defect in the Product that breaches the foregoing warranties, Price Pfister, at its option, will repair or replace the defective part of the Product. Repair or replacement of the Product is the exclusive remedy.

For any remedy under this warranty, Price Pfister is to be notified describing the problem. In order to notify Price Pfister and receive assistance or service under this warranty, the original purchaser may: (1) call 1-800-Pfaucet (1-800-732-8238) for a consumer service representative who can assist you, or (2) write consumer service department c/o Price Pfister Inc., 19701 DaVinci, Lake Forest, CA 92610, and include a description of the problem, model number, your name, address, phone number and approximate date of purchase, or (3) email Price Pfister's customer service department by going to [www.PricePfister.com](http://www.PricePfister.com), or (4) notify the location or distributor from which the Product was purchased. In any case, you may be required to return the Product to Price Pfister for inspection and proof of purchase may be required.

**Limitations and Exclusions:**

PRICE PFISTER WILL NOT BE LIABLE FOR ANY OTHER DAMAGES OR LOSSES, INCLUDING, BUT NOT LIMITED TO, INCIDENTAL AND/OR CONSEQUENTIAL DAMAGES, REGARDLESS OF THE LEGAL THEORY ASSERTED, INCLUDING ANY CLAIM OR BREACH OF WARRANTY HEREUNDER OR ANY OTHER CAUSE, AND WHETHER ARISING IN CONTRACT OR IN TORT (including negligence and strict liability).

Price Pfister has the right to discontinue or modify any product at any time. Some states do not allow limitations or exclusions of incidental or consequential damages, so the above limitations or exclusions may not apply to you. This warranty gives you specific legal rights, and you may also have other rights which vary from state to state.

The above warranties do not cover damage resulting from improper maintenance, repair, cleaning or installation, misuse, abuse, alterations, accidents or acts of God.



Price Pfister

Garantía Mecánica y sobre el Acabado Limitada de por Vida  
Cubre las funciones y el acabado por el tiempo en que usted sea propietario de su casa  
(Las Aplicaciones Comerciales Limitan la Duración de las Garantías)

Price Pfister suministra las siguientes Garantías para sus productos. Es posible que se requiera la presentación de una Prueba de compra para obtener cualquiera de los beneficios indicados a continuación.

**Garantías Limitadas:** Price Pfister garantiza que por el tiempo en que el comprador original sea propietario de la casa en la que se hubiese instalado inicialmente el producto Price Pfister (el "Producto"), este Producto estará libre de todo defecto en material y mano de obra que pueda afectar el uso proyectado y correcto del Producto. Si el Producto se instala en una aplicación comercial, la garantía mecánica que antecede estará limitada a un periodo de diez (10) años a partir de la fecha de compra del Producto.

Price Pfister garantiza el acabado del Producto contra deterioro por el tiempo en que el comprador original sea propietario de la casa en la que hubiese instalado inicialmente el Producto. Si el Producto se instala en una aplicación comercial, la garantía sobre el acabado que precede para Productos que no contengan el acabado "Pforever" estará limitada a un periodo de cinco (5) años a partir de la fecha de compra.

**Recurso exclusivo:** En el caso de que haya un defecto en el Producto que viole las garantías que preceden, Price Pfister, a su opción, reparará o reemplazará la pieza defectuosa del Producto. La reparación o el reemplazo del Producto es el recurso exclusivo.

Para todo recurso con respecto a esta garantía, Price Pfister deberá ser notificado, con una descripción del problema. Para notificar a Price Pfister y recibir ayuda o servicio bajo esta garantía, el comprador original puede: (1) llamar al 1-800-Pfaucet (1-800-732-8238) para hablar con un representante de servicio al cliente que lo pueda ayudar, o (2) escribir al departamento de servicio al consumidor, c/o Price Pfister Inc., 19701 DaVinci, Lake Forest, CA 92610 U.S.A., e incluir una descripción del problema, el número del modelo, su nombre, dirección, número de teléfono y fecha aproximada de compra, o (3) enviar un e-mail al departamento de servicio al consumidor de Price Pfister entrando en la página web [www.PricePfister.com](http://www.PricePfister.com), o (4) avisarle al lugar o al distribuidor en donde se compró el Producto. En cualesquiera de los casos, podría pedirsele devolver el Producto a Price Pfister para su inspección y es posible que se requiera la presentación de una prueba de compra.

**Limitaciones y Exclusiones:**

PRICE PFISTER NO SE HARÁ RESPONSABLE DE NINGÚN OTRO DAÑO O PERJUICIO, INCLUYENDO, PERO SIN ESTAR LIMITADO A DAÑOS INCIDENTALES Y/O CONSECUENTES, SIN IMPORTAR LA TEORÍA LEGAL A LA QUE SE ALEGUE, INCLUYENDO TODO RECLAMO O VIOLACIÓN DE LA GARANTÍA PRESENTE O CUALQUIER OTRA CAUSA, Y YA SEAN COMO RESULTADO DE LA LEY CONTRACTUAL O LA DE ANTECEDENTES (incluyendo negligencia y responsabilidad estricta).

Price Pfister tiene el derecho de discontinuar o modificar cualquier producto en cualquier momento. Algunos estados no permiten limitaciones o exclusiones de daños incidentales o consecuentes, de manera que es posible que las limitaciones o exclusiones que preceden no correspondan en su caso. Esta garantía le otorga derechos legales específicos y es posible que usted también tenga otros derechos que difieren entre un estado y otro.

Las garantías que preceden no cubren daños y perjuicios ocasionados como resultado de mantenimiento, reparaciones, limpieza o instalación inadecuados, mal uso, abuso, alteraciones, accidentes o causas de fuerza mayor.



Price Pfister

Une garantie limitée à vie  
pour ce qui est de l'aspect mécanique et de la finition,  
tant et aussi longtemps que vous serez propriétaire  
de votre domicile.  
(Garantie limitée en cas d'utilisation commerciale  
- voir ci-dessous)

Veillez noter qu'une preuve d'achat peut être requise en cas de recours au titre de la garantie.

**Garantie limitée :** Tant et aussi longtemps que l'acheteur sera propriétaire du domicile dans lequel le produit Price Pfister a été installé, nous lui garantissons que ce dernier sera exempt de tout défaut de matériau ou vice de fabrication pouvant en entraver l'utilisation correcte tel que prévu. Dans le cas des produits d'utilisation commerciale, la garantie exprimée ci-dessus est restreinte à une période de dix (10) ans.

Par ailleurs, tant et aussi longtemps que l'acheteur sera propriétaire du domicile dans lequel le produit Price Pfister a été installé, nous lui garantissons un article dont la finition ne pourra se détériorer. Dans le cas des produits d'utilisation commerciale qui ne comportent pas la finition "Pforever", la garantie est restreinte à une période de cinq (5) ans.

**Recours exclusif :** En cas de défaut du produit relevant de la garantie, le fabricant pourra, à sa discrétion, réparer ou remplacer la partie défectueuse. Cette mesure constitue un recours exclusif.

Pour tout recours au titre de la garantie, les clients doivent communiquer avec le fabricant pour lui faire part du problème. L'acheteur d'origine peut : (1) composer le 1 800 732-8238 pour parler à un représentant qui l'assistera; (2) écrire au service à la clientèle : Price Pfister Inc., 19701 DaVinci, Lake Forest, CA 92610 U.S.A., et fournir une explication du problème, en précisant le numéro de modèle, son nom, son adresse et son numéro de téléphone, ainsi que la date d'achat approximative; (3) communiquer par courrier électronique avec le service à la clientèle en utilisant le site [www.PricePfister.com](http://www.PricePfister.com), ou (4) aviser le détaillant qui a vendu le produit. On peut être obligé de retourner le produit au fabricant, et une preuve d'achat peut être exigée.

**Limitations et exclusions :**

PRICE PFISTER NE SERA PAS RESPONSABLE DES AUTRES DOMMAGES OU PERTES, Y COMPRIS LES DOMMAGES INDIRECTS, INDÉPENDamment DE TOUTE THÉORIE JURIDIQUE, Y COMPRIS TOUTE RÉCLAMATION SELON LAQUELLE IL Y AURAIT EU RUPTURE DE GARANTIE, QUE CE SOIT PAR RAPPORT À UN CONTRAT OU PAR VOIE DE NÉGLIGENCE (cela comprend la négligence et la responsabilité stricte).

Price Pfister se réserve le droit de discontinuer ou de modifier un produit en tout temps. Certaines provinces ne permettent pas l'exclusion ou la limitation des dommages indirects, de sorte que la limitation exprimée peut ne pas s'appliquer. La présente garantie octroie aux clients certains droits d'ordre juridique, et ceux-ci pourraient en avoir d'autres, selon la province où ils habitent.

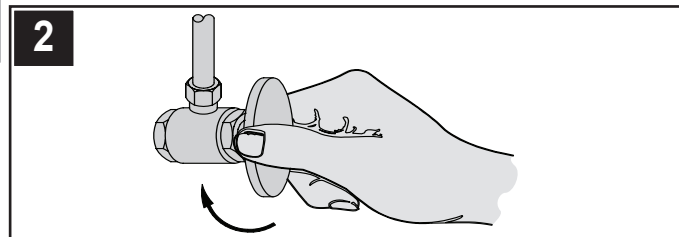
La garantie ne s'applique pas aux dommages résultant d'un entretien, d'un nettoyage ou d'une installation fautive effectués, ou encore d'usages fautifs, d'abus, de modifications, d'accidents ou de catastrophes naturelles.

Thank you for purchasing this Price Pfister product. All Price Pfister products are carefully engineered, and factory tested to provide long trouble-free use under normal conditions. This product is easy to install using basic tools and our easy to follow illustrated instructions. If you have any questions regarding this product, call 1-800-Pfaucet (1-800-732-8238).

ENGLISH

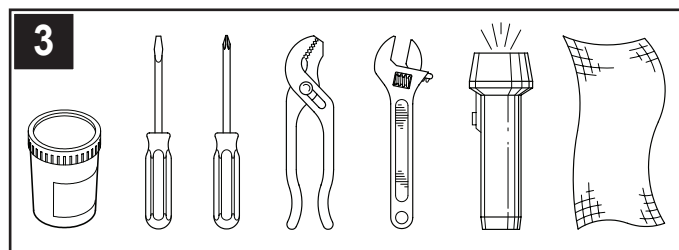
**1 BEFORE PROCEEDING**

**⚠ WARNING:** Read all the instructions completely before proceeding. Price Pfister recommends calling a professional if you are uncertain about installing this product! This product should be installed in accordance with all local and state plumbing and building codes.



**2 SHUT OFF WATER SUPPLY**

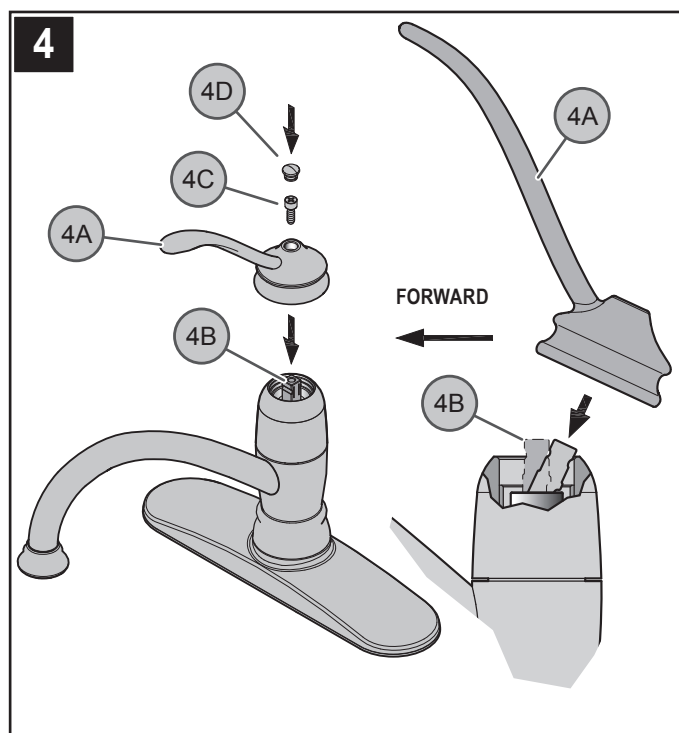
Locate water supply inlets and shut off the water supply valves. These are usually found under the sink or near the water meter. If you are replacing an existing faucet, remove the old faucet from the sink and clean the sink surface thoroughly.



**3 TOOLS RECOMMENDED**

- Plumber's putty
- Pliers
- Cloth
- Slotted screwdriver
- Adjustable wrench
- Philips head screwdriver
- Flashlight

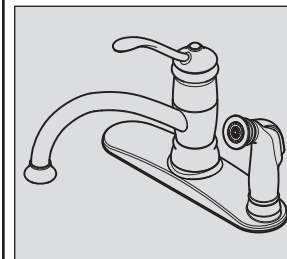
Your installation may require new supply lines and / or shut-off valves or other additional tools.



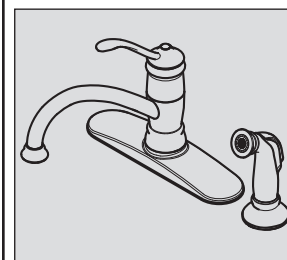
**4 HANDLE ATTACHMENT**

Place Lever Handle (4A) onto Valve Stem (4B) and secure with Fastener (4C) as shown. Insert Decorative Button (4D) onto Lever Handle (4A).

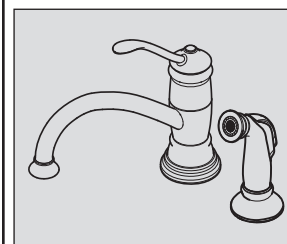
**5 These instructions cover three different installations**



**Models 34-3AL**  
For 3 Hole Installation With Side Spray



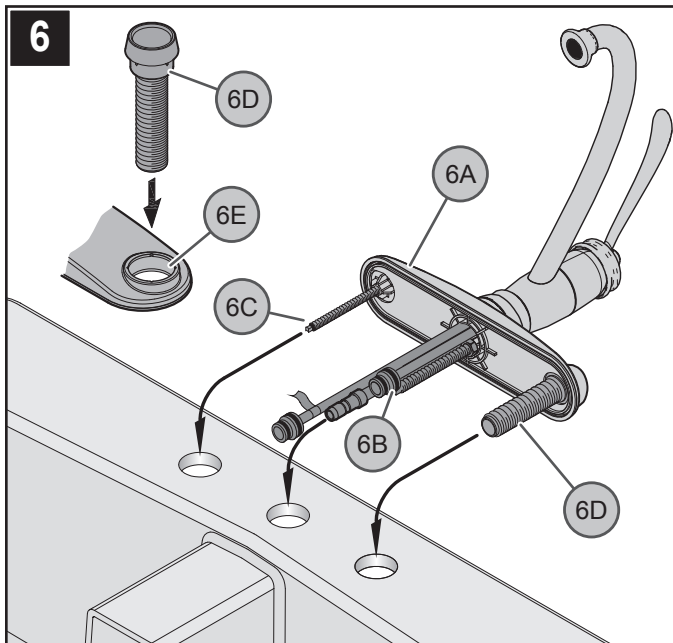
**Models 34-4AL**  
For 4 Hole Installation With Side Spray



**Models 34-4ALS 34-4ALY**  
For 2 Hole Installation With Side Spray



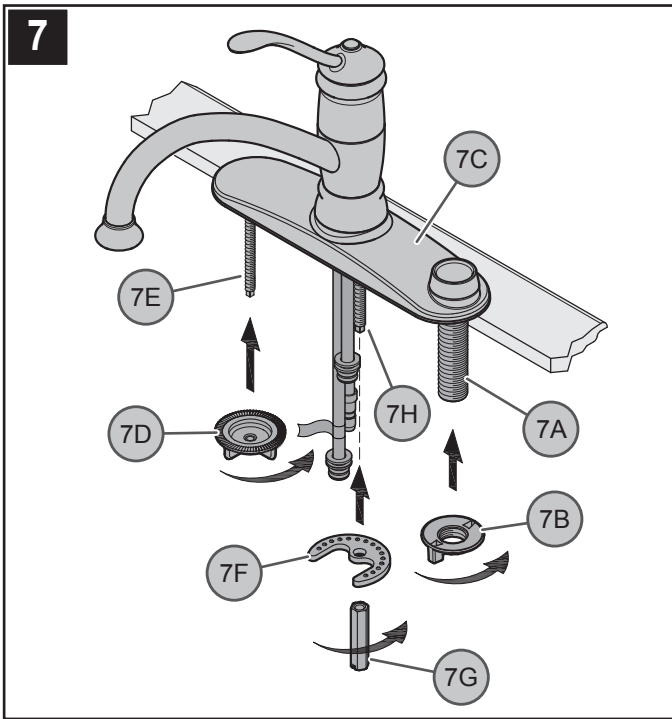
**FAUCET INSTALLATION**



**6 THREE HOLE FAUCET INSTALLATION**

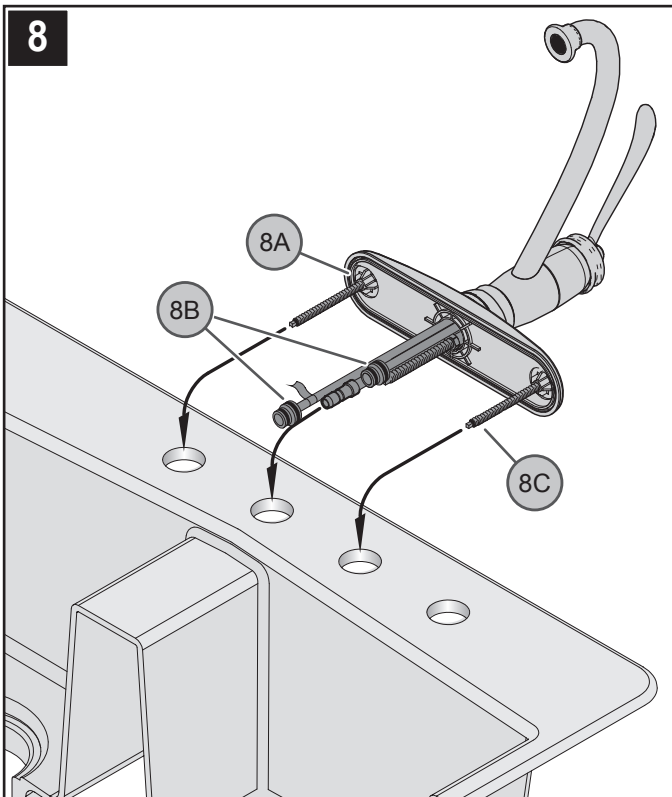
Following manufacturer's recommendations on use, apply plumber's putty into putty groove in Deck Plate (6A). Insert Hose Guide (6D) into the Side Hole (6E) in the Deck Plate (6A). Align the hose guide Tabs to those in the Deck Plate Hole. Insert the faucet Supply Tubes (6B) through the center hole of the sink. Insert faucet Shank (6C) and Hose Guide (6D) through the end holes of the sink.

Deck Plate (6A) can be placed with Hose Guide (6D) in either the left or right side (see step 10 for Deck Plate removal).



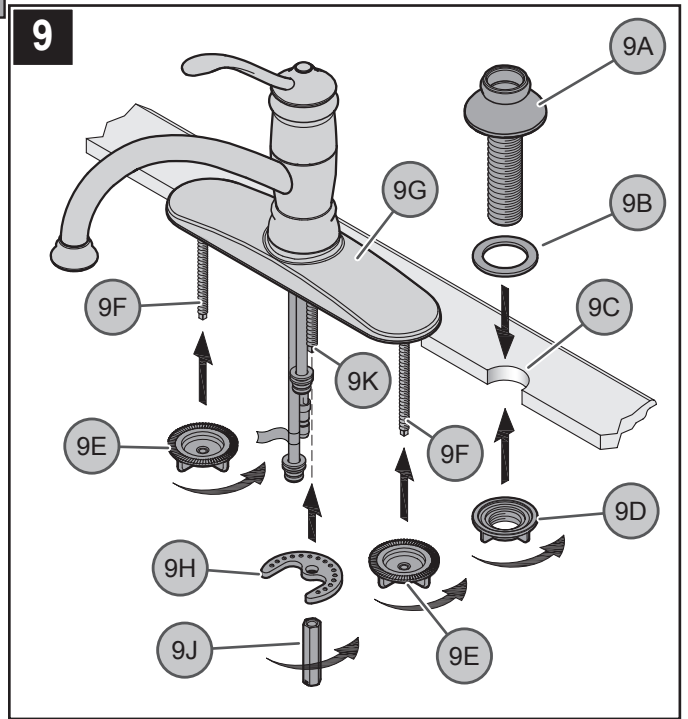
**7 SECURING THREE HOLE FAUCET TO DECK**

From underneath sink, secure the Hose Guide (7A) by screwing the Plastic Locknut (7B). Secure Deck Plate (7C) by screwing Wing Nut (7D) to Mounting Post (7E). Hand tighten. Remove any excess putty from around the outside edge of Deck Plate (7C). Secure faucet by placing the Metal Washer (7F) and the Long Nut ( $\frac{7}{16}$  Hex.) (7G) onto Mounting Post (7H). Make sure that the bumps on the Metal Washer (7F) are facing up. Tighten until the faucet is firmly connected to the sink. **Do not over tighten!**



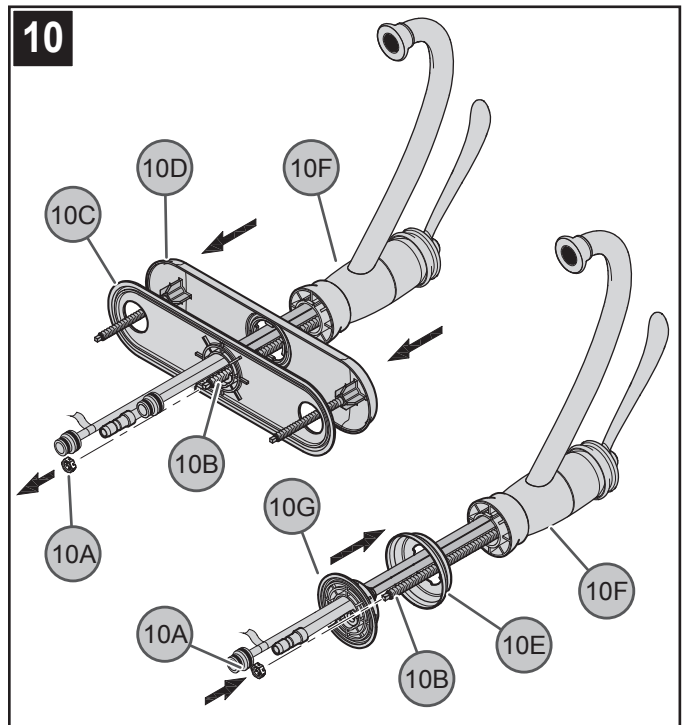
**8 FOUR HOLE FAUCET INSTALLATION**

Following manufacturer's recommendations on use, apply plumber's putty into putty groove in Bottom Plate (8A). Insert the faucet Supply Tubes (8B) through the center hole of the sink. Insert faucet Shanks (8C) through the end holes of the sink.



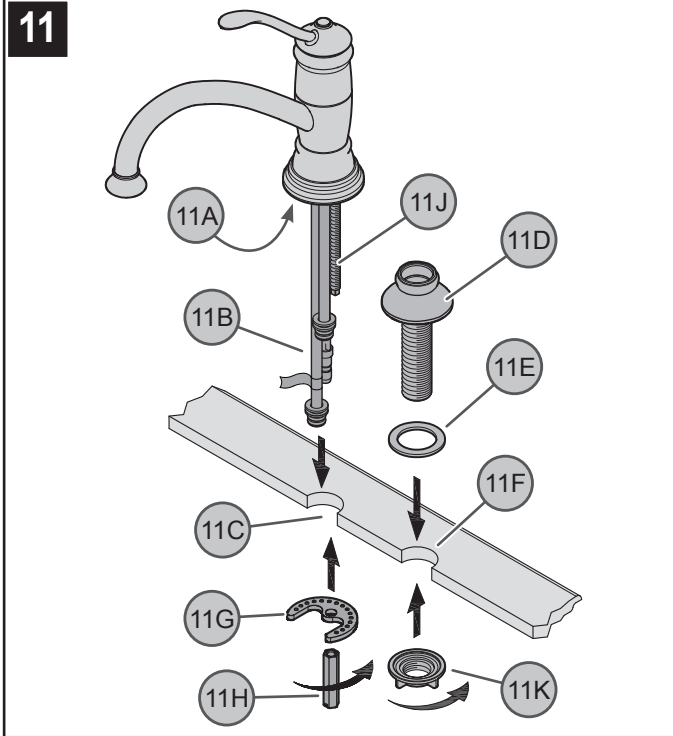
**9 SECURING FOUR HOLE FAUCET TO DECK**

From above sink, insert Hose Guide Shank (9A) through Flange Gasket (9B) and into the sink hole (9C). From underneath sink, secure Hose Guide (9A) by screwing Plastic Locknuts (9D). Hand tighten. Hand tighten Wing Nuts (9E) to Mounting Posts (9F). Remove any excess putty from around the outside edge of Deck Plate (9G). Secure the faucet by placing the Metal Washer (9H) and the Long Nut ( $\frac{7}{16}$  Hex.) (9J) onto the Mounting Post (9K). Make sure that the bumps on the Metal Washer (9H) are facing up. Tighten using a flat head screwdriver or an adjustable wrench until the faucet is firmly connected to the sink. **Do not over tighten!**



**10 FAUCET PREPARATION**

From underneath faucet, remove Nut (10A) from Mounting Post (10B). Remove Putty Plate (10C) and Deck Plate (10D) from Faucet Body (10F). Assemble Mounting Ring (10E) and Putty Ring (10G) to Faucet Body (10F). Secure by placing and threading Nut (10A) onto Mounting Post (10B).

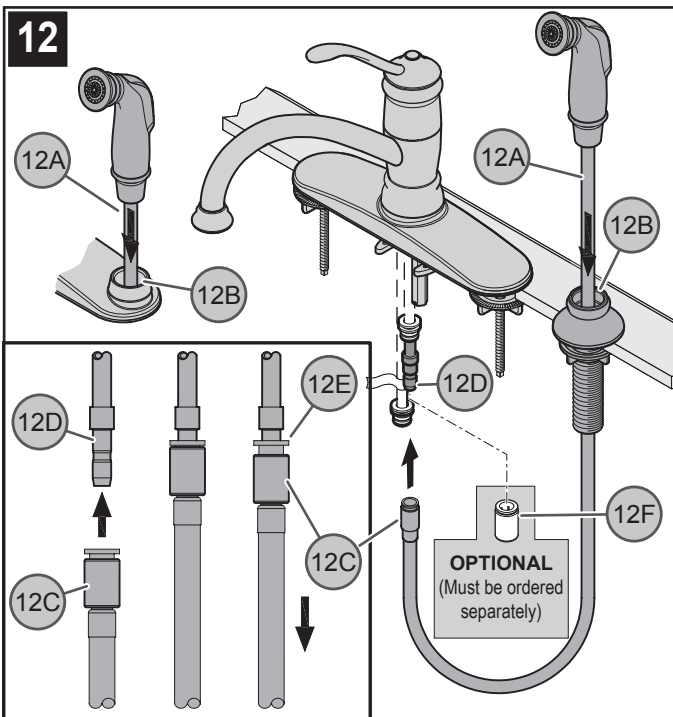


**11 FAUCET INSTALLATION**

Following manufacturer's recommendations on use, apply plumber's putty into putty groove in Putty Ring (11A). Insert the faucet Supply Tubes (11B) through the center hole of the sink (11C). Insert Hose Guide Shank (11D) through Flange Gasket (11E) and into the sink hole (11F).

From underneath sink, secure the faucet by placing the Metal Washer (11G) and the Long Nut ( $7/16$  Hex.) (11H) onto the Mounting Post (11J). Make sure that the bumps on the Metal Washer (11G) are facing up. Tighten until the faucet is firmly connected to the sink. Secure Hose Guide (11D) by screwing Plastic Locknuts (11K). Hand tighten. Remove any excess putty from around the outside edge of Putty Ring (11A).

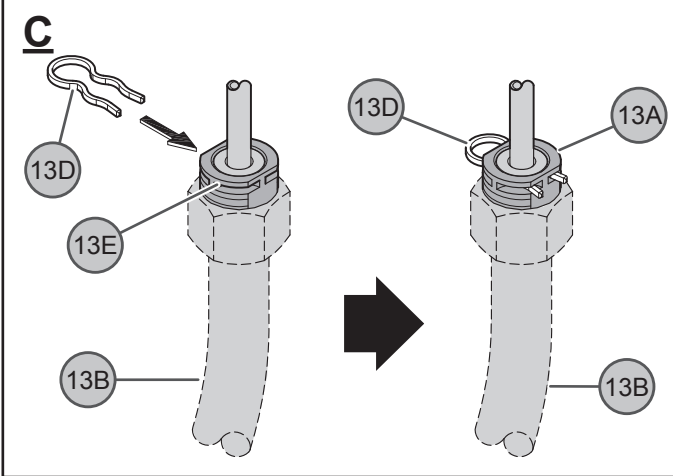
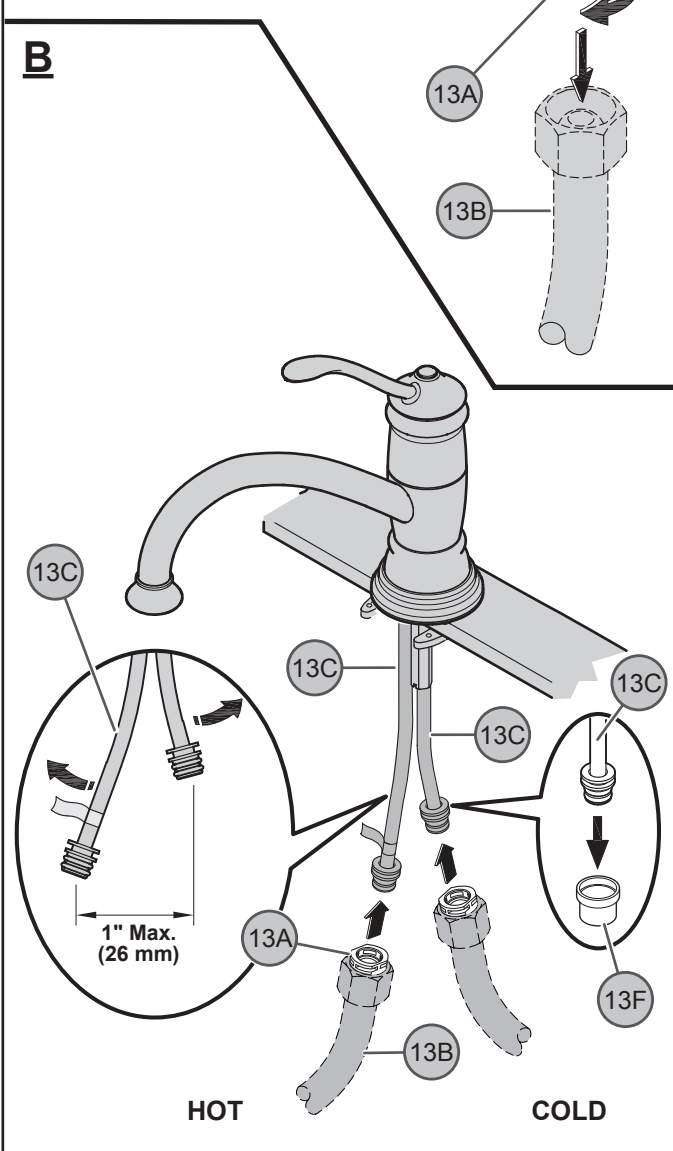
**Do not over tighten!**



**12 SIDE SPRAY INSTALLATION**

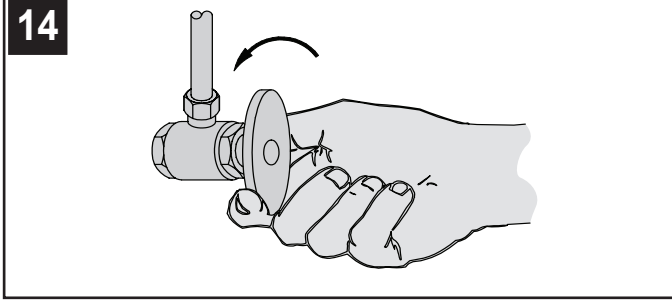
Insert Side Spray Hose (12A) through Hose Guide (12B). From underneath sink, push Quick Connect Housing (12C), located on the end of the Spray Hose (12A), firmly upward onto the receiving Tube (12D), until unable to push any further. Pull down on the quick connect housing (12C). If the housing and the Inner Collet (12E) separate slightly, but do not pull off the receiving Tube (12D), quick connect is secure. When installing without side spray, a Plug (12F) 972-044 must be used and is to be ordered separately.

**13** Water Supply Lines are not included. Please consult manufacturer and/or its instructions for the correct method of installation of supply lines and fittings.  
**CAUTION:** Incorrect application of supply lines and fittings may result in the failure or leak of the supply lines and fittings.



**13 WATER SUPPLY LINES**

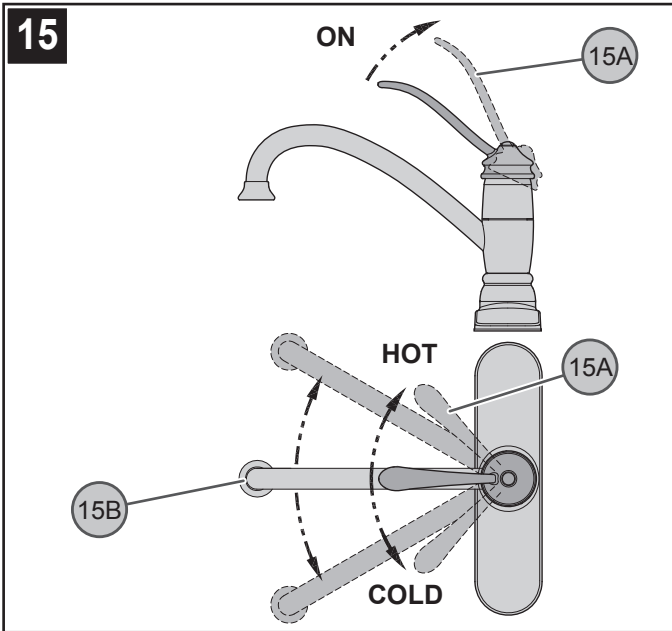
**A.** Thread Inlet Connectors (13A) into Water Supply Lines (13B).  
**B.** Remove Protective Cap (13F). Gently separate hot and cold Faucet Inlets (13C), approximately 1 in. (26 mm) apart. Connect Water Supply Lines (13B) onto Faucet Inlets (13C). Hot water supply line goes to hot inlet fitting indicated by red tag.  
**C.** Insert Clip (13D) into Inlet Connector Holes (13E) to secure water supply lines, as shown.



**14 UNIT START UP**

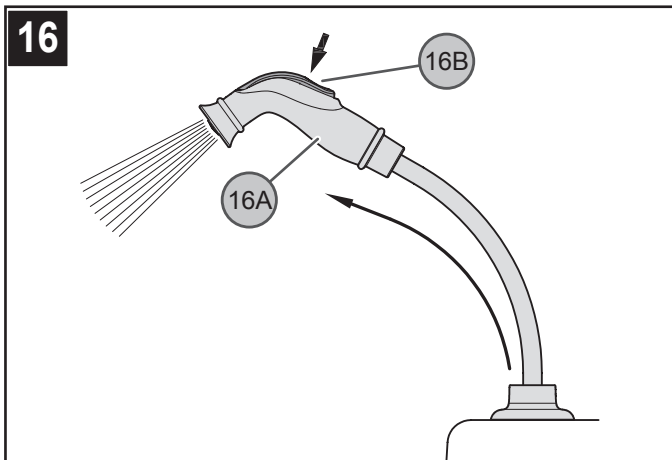
Turn on hot and cold water supplies, and check for leaks above and below the sink.  
**Note:** After installation is complete, flush faucet (see step 17).

**FAUCET FUNCTIONS**



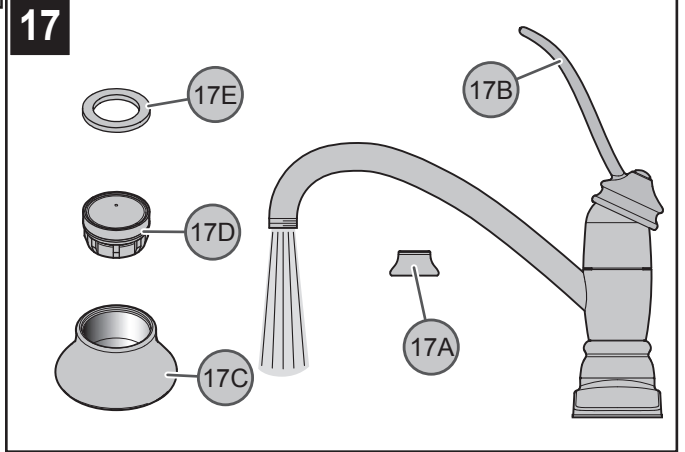
**15 FAUCET FUNCTION**

By lifting the Lever Handle (15A) up, the valve will be activated allowing water to flow. The water flow will increase by continuing to lift up the Lever Handle (15A). By rotating the Lever Handle counter-clockwise, the water temperature will decrease to cold flow only. By rotating the Lever Handle clockwise, the water temperature will increase to hot flow only. The Spout (15B) can be rotated around the Faucet Body in any direction.



**16 SIDE SPRAY OPERATION**

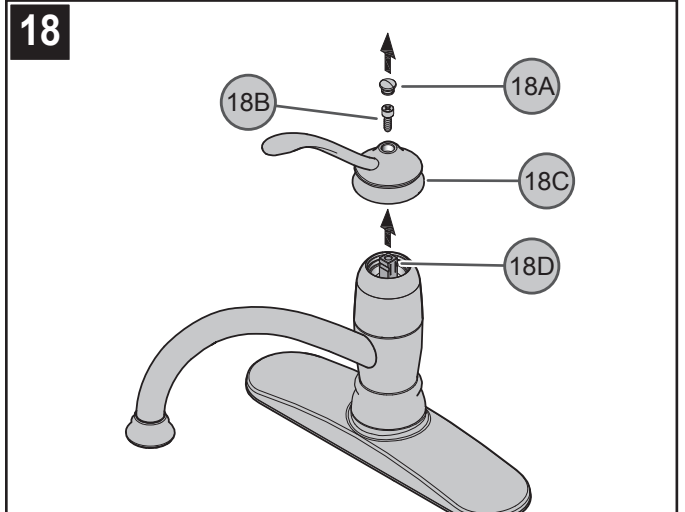
The Side Spray (16A) can be pulled forward to spray water in any direction. To activate the Side Spray, press the Toggle Button (16B) located on the back of the Side Spray (16A).



**17 FLUSHING & AERATOR CLEANING**

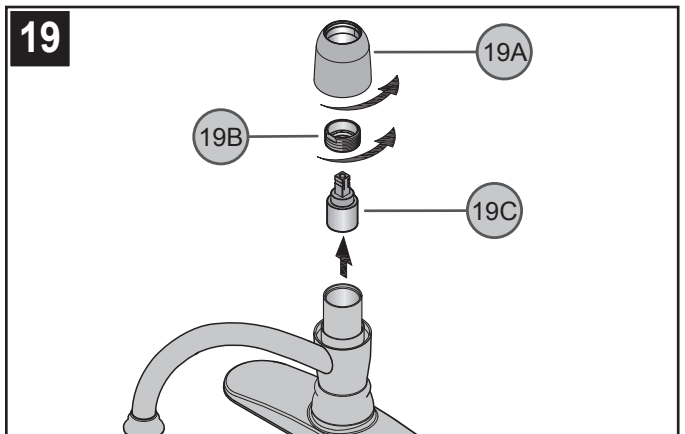
After installation is complete, remove Aerator Housing (17A). Turn Valve (17B) on and allow both hot and cold water to run for at least one minute each. While water is running, check for leaks. To clean the aerator, disassemble Aerator Housing (17A) by separating the Aerator Shell (17C), Basket (17D), and Washer (17E). Once parts have been cleaned, reassemble by reversing steps.

**MAINTENANCE & CARE**



**18 HANDLE REMOVAL**

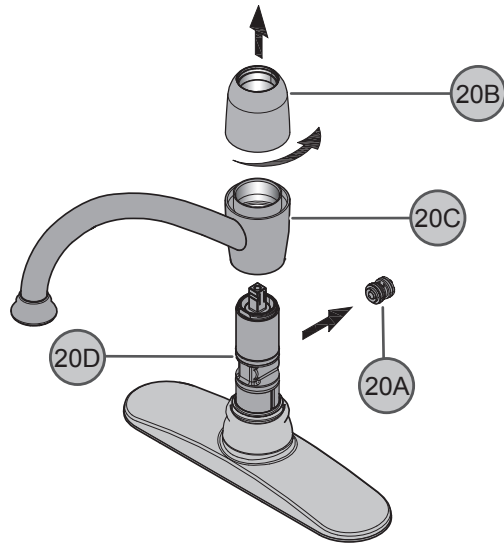
**Turn off water before proceeding!** With valves in closed position, detach Decorative Button (18A), unscrew Fastener (18B), and remove Handle Hub (18C) from Valve Stem (18D).



**19 CARTRIDGE REMOVAL**

Turn off water supplies and relieve pressure before working on your faucet (see step 2). Remove Handle (See step 18) Remove the Dome Cap (19A) by unscrewing it in a counterclockwise direction. Using an adjustable wrench, unscrew the Retainer Ring (19B). Carefully remove the Cartridge (19C) by pulling it straight up and out. Inspect Cartridge (19C) for debris or damage. Clean or replace the Cartridge (19C). Reassemble faucet by reversing steps.

20



### 20 DIVERTER REMOVAL

If the side spray fails to work properly the diverter mechanism may be clogged with debris or may need replacing. To check and/or replace Diverter (20A), **shut off water supply and relieve pressure before working on your faucet** (see step 2). Remove handle (see step 17) and Dome Cap (20B) and carefully lift up the Spout Assembly (20C). The Diverter Mechanism (20A) is located on the backside of Inner Faucet Body (20D). Carefully remove the Diverter Mechanism (20A) and check for debris. Clean or replace the Diverter Mechanism (20A). Reassemble faucet by reversing steps.



### **CAUTION: Maintenance**

#### DISASSEMBLY

1. Replacement parts may be available at the store where you purchased your faucet.
2. When replacement parts are not available, please write or call Price Pfister Consumer Service.
3. **Always turn off water and relieve pressure before working on your faucet.**



### **NOTE: Trim Care**

#### Cleaning Instructions:

For all Handles and decorative finishes, use only a soft damp cloth to clean and shine. Use of polish, detergents, abrasive cleaners, organic solvents or acid may cause damage. **Use of other than a soft damp cloth will nullify our warranty!**

#### Special Trim:

Trim products which contain Porcelain or other similar substance are not acceptable for public areas or Commercial use. Installation of Said Trim is at Users Risk!



**1-800-PFAUCET (1-800-732-8238)**

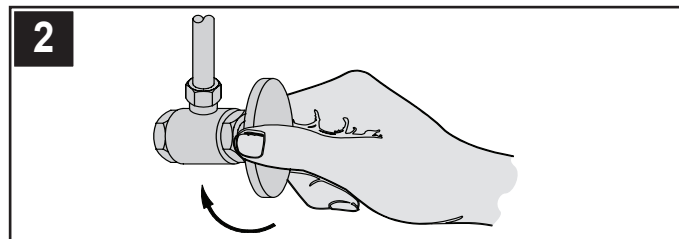
For Toll-Free Pfaucet information call 1-800-PFAUCET (1-800-732-8238) or visit [www.pricepfister.com](http://www.pricepfister.com)

- Installation Support
- Care and Warranty Information

Gracias por haber comprado este producto Price Pfister. Todos los productos Price Pfister están diseñados cuidadosamente y son sometidos a pruebas en la fábrica para ser utilizados sin problemas bajo condiciones normales. Este producto es fácil de instalar con herramientas básicas y nuestras instrucciones ilustradas fáciles de seguir. Si tiene alguna pregunta sobre este producto, llame al 1-800 Pfauet (1-800-732-8238).

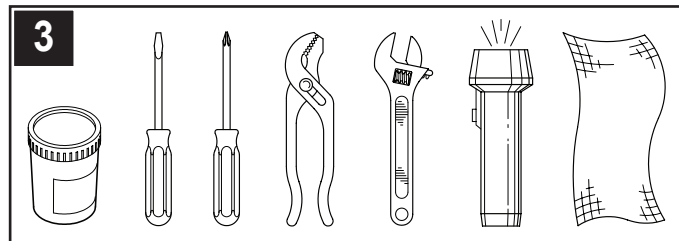
**1 ANTES DE PROCEDER**

**ADVERTENCIA:** Antes de proceder, lea completamente todas las instrucciones. Price Pfister recomienda llamar a un profesional si no se está seguro acerca de cómo instalar este producto. Este producto debe instalarse de acuerdo a los códigos de plomería y de construcción locales y estatales.



**2 CIERRE EL SUMINISTRO DE AGUA**

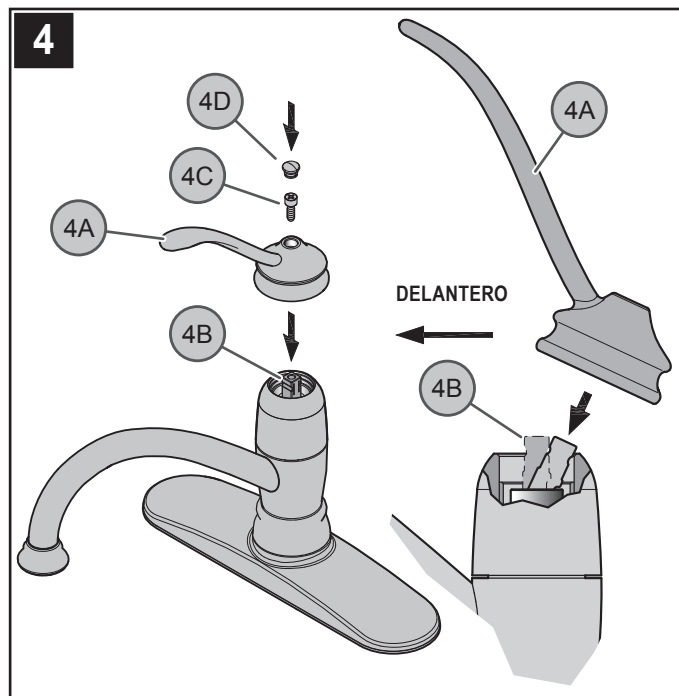
Ubique las entradas del suministro de agua y cierre las válvulas de suministro de agua. Generalmente se encuentran debajo del fregadero o cerca del medidor de agua. Si se trata de un reemplazo de grifo, quite el grifo viejo y limpie completamente la superficie del fregadero.



**3 HERRAMIENTAS RECOMENDADAS**

- Masilla para plomería
- Destornillador recto
- Destornillador en cruz
- Tenazas
- Llave ajustable
- linterna de mano
- Paño

Para hacer la instalación podría ser necesario contar con nuevas tuberías de suministro, válvulas de cierre o herramientas adicionales.



**4 CÓMO UNIR LA MANIJA**

Coloque la manija de palanca (4A) sobre el vástago de la válvula (4B) y asegúrela con el sujetador (4C) según lo demostrado. Inserte el botón decorativo (4D) sobre la manija de palanca (4A).

**5 Estas instrucciones cubren tres instalaciones distintas:**

**Modelos 34-3AL**  
Instalación en 3 agujeros con rociador lateral

**Continúe con el Paso 6**

**Modelos 34-3AL**  
Instalación en 4 agujeros con rociador lateral

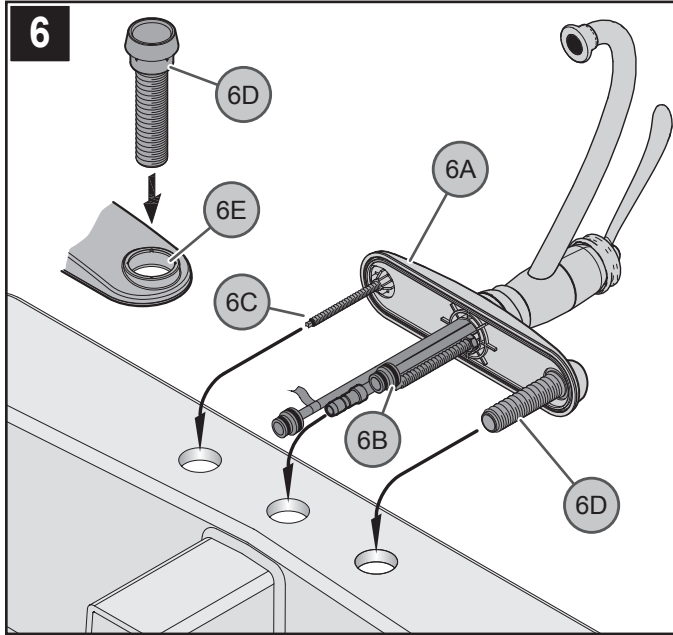
**Continúe con el Paso 8**

**Modelos 34-4ALS 34-4ALY**  
Instalación en 2 agujeros con rociador lateral

**Continúe con el Paso 10**

ESPAÑOL

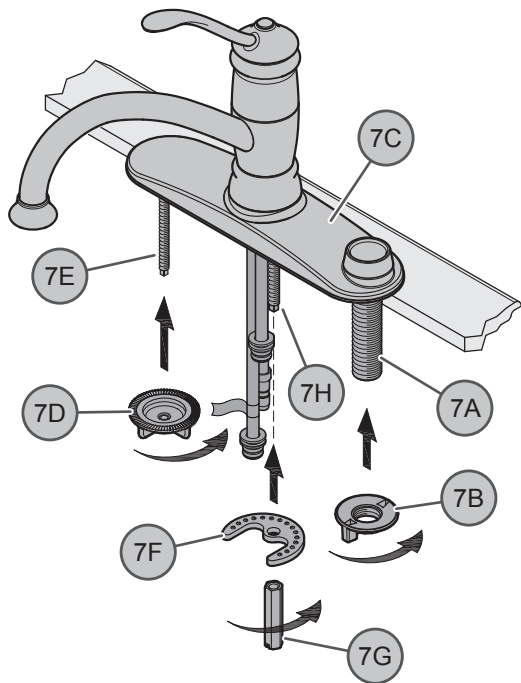
**INSTALACIÓN DEL GRIFO**



**6 INSTALACIÓN DEL GRIFO DE 3 AGUJEROS**

En la ranura para masilla de la placa de cubierta (6A), coloque masilla para plomería siguiendo las instrucciones del fabricante. Inserte la guía de manguera (6D) en el agujero lateral (6E) de la placa de cubierta (6A). Alinee las lengüetas de la guía de manguera con aquellas en el agujero de la placa de cubierta. Introduzca los tubos de suministro (6B) del grifo en el agujero central del fregadero. Introduzca la espiga (6C) y a guía de manguera (6D) del grifo en los agujeros extremos del fregadero. La placa de la cubierta (6A) se puede colocar con la guía de la manguera (6D) en el lado derecho o izquierdo (consulte al paso 10 para el retiro de la placa de la cubierta).

7



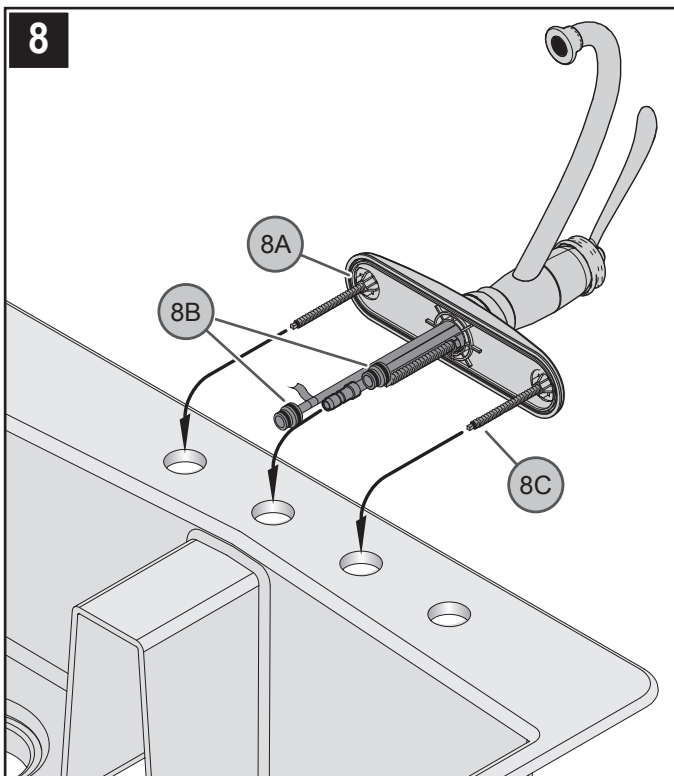
**7 ASEGURAR EL GRIFO DE 3 AGUJEROS AL FREGADERO**

Desde abajo del fregadero, sujete la guía de la manguera (7A) atornillando la contratuerca de plástico (7B). Sujete la placa de cubierta (7C) atornillando la tuerca de mariposa (7D) al poste de montaje (7E). Apriete con la mano. Quite el exceso de masilla de alrededor del borde exterior de la placa de cubierta (7C). Sujete el grifo colocando la arandela de metal (7F) y la tuerca larga (7/16 pulg. Hexagonal) (7G) sobre el poste de montaje (7H). Asegúrese de que las protuberancias en la arandela de metal (7F) queden apuntando hacia arriba. Apriete hasta que el grifo esté firmemente conectado al fregadero.

¡No apriete en exceso!



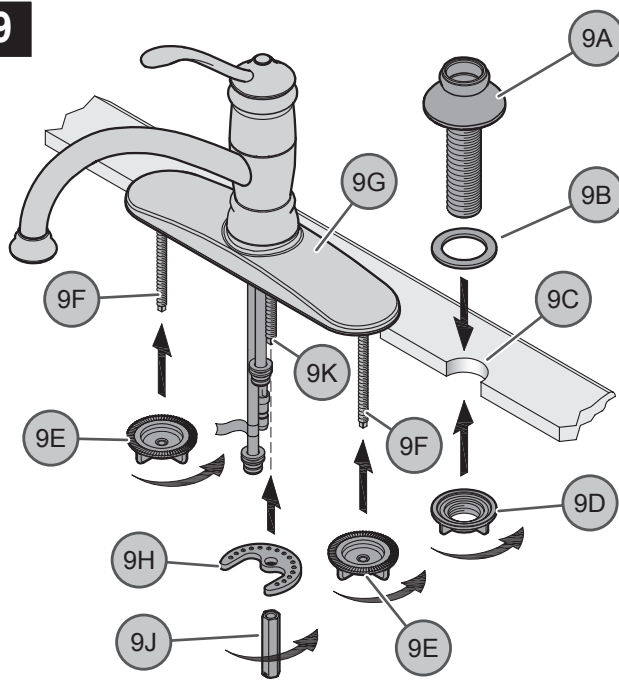
8



**8 INSTALACIÓN DEL GRIFO DE 4 AGUJEROS**

En la ranura para masilla de la placa inferior (8A), coloque masilla para plomería siguiendo las instrucciones del fabricante. Introduzca los tubos de suministro (8B) del grifo en el agujero central del fregadero. Introduzca las espigas (8C) del grifo en los agujeros extremos del fregadero.

9



**9 ASEGURAR EL GRIFO DE 4 AGUJEROS AL FREGADERO**

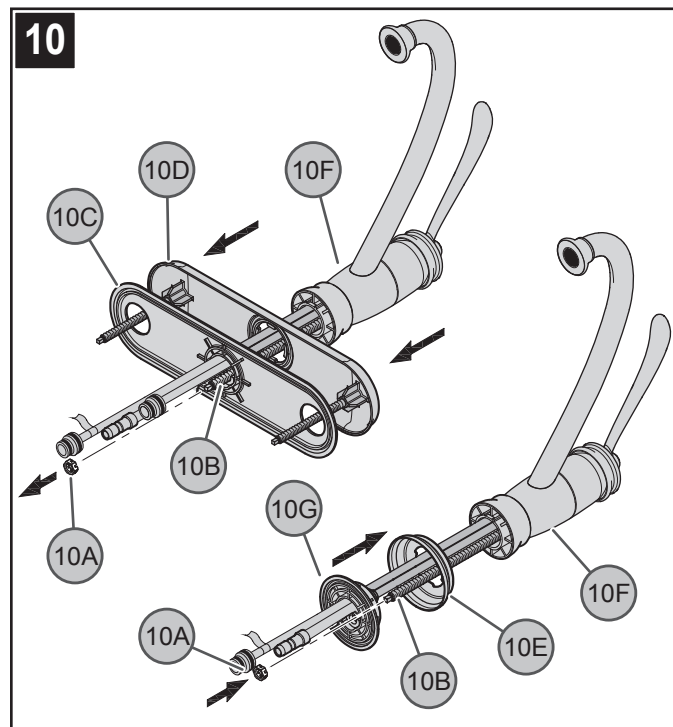
Sobre el fregadero, inserte la espiga de la guía de manguera (9A) a través de la empaquetadora (9B) en el agujero (9C) del fregadero.

Desde abajo del fregadero, sujete la guía de manguera (9A) atornillando las contratuercas de plástico (9D). Apriete con la mano. Apriete las tuercas de mariposa (9E) a los postes de montaje (9F). Quite el exceso de masilla de alrededor del borde exterior de la placa de cubierta (9G). Sujete el grifo colocando la arandela de metal (9H) y la tuerca larga (7/16 pulg. Hexagonal) (9I) sobre el poste de montaje (9K). Asegúrese de que las protuberancias en la arandela de metal (9H) queden apuntando hacia arriba. Apriete con un destornillador de hoja plana o una llave ajustable hasta que el grifo esté firmemente conectado al fregadero.

¡No apriete en exceso!



10

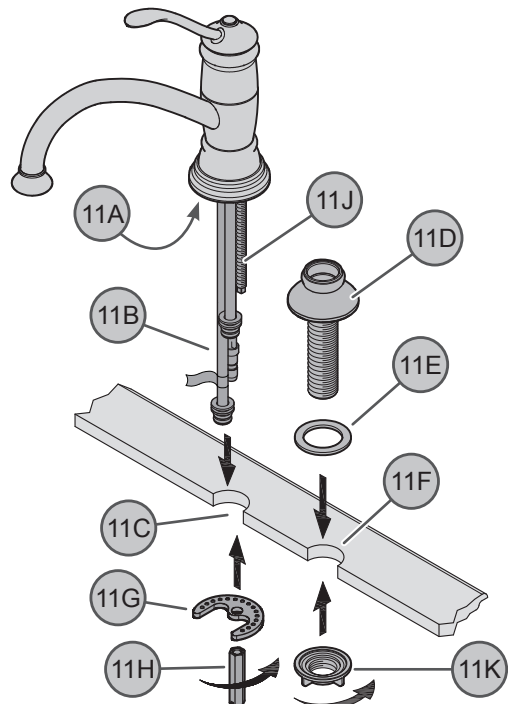


**10 PREPARACIÓN DEL GRIFO**

Por debajo del grifo, retire la tuerca (10A) desatornillando la del poste del montaje (10B). Retire la placa inferior (10C) y la placa para plataforma (10D) de el cuerpo del grifo (10F). Monte el aro de montaje (10E) y el aro para masilla (10G) en el fondo del cuerpo del grifo (10F). Asegure colocando y roscando la tuerca (10A) sobre el poste del montaje (10B).



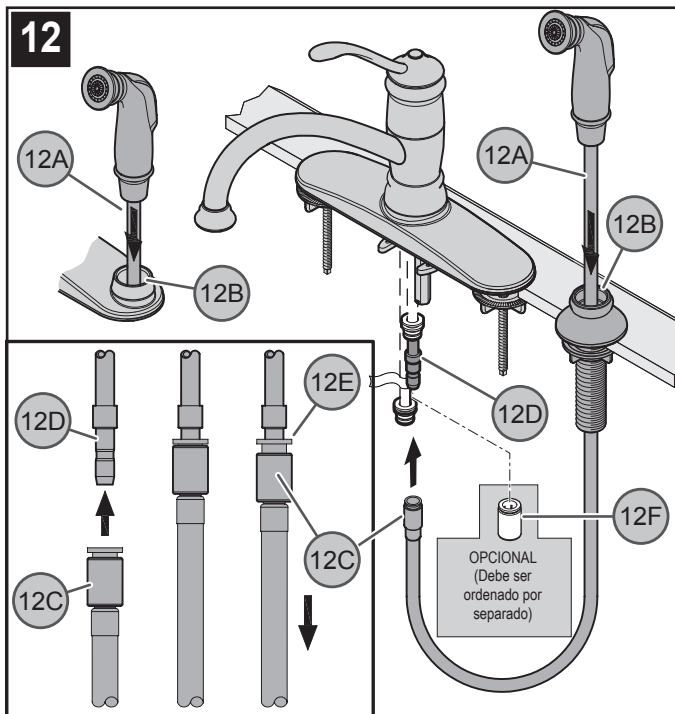
11



**11 INSTALACIÓN DEL GRIFO**

En la ranura para masilla de el aro para masilla (11A), coloque masilla para plomería siguiendo las instrucciones del fabricante. Introduzca los tubos de suministro (11B) del grifo en el agujero central (11C) del fregadero. Inserte la espiga de la guía de manguera (11C) a través de la empaquetadora (11E) en el agujero (11F) del fregadero. Desde abajo del fregadero, sujete el grifo colocando la arandela de metal (11G) y la tuerca larga (7/16 pulg. Hex.) (11H) sobre el poste de montaje (11J). Asegúrese de que las protuberancias en la arandela de metal (11G) queden apuntando hacia arriba. Apriete hasta que el grifo esté firmemente conectado al fregadero. Sujete la guía de manguera (11D) atornillando las contratuercas de plástico (11K). Apriete con la mano. Quite el exceso de masilla de alrededor del borde exterior de el aro para masilla (11A). ¡No apriete en exceso!

12



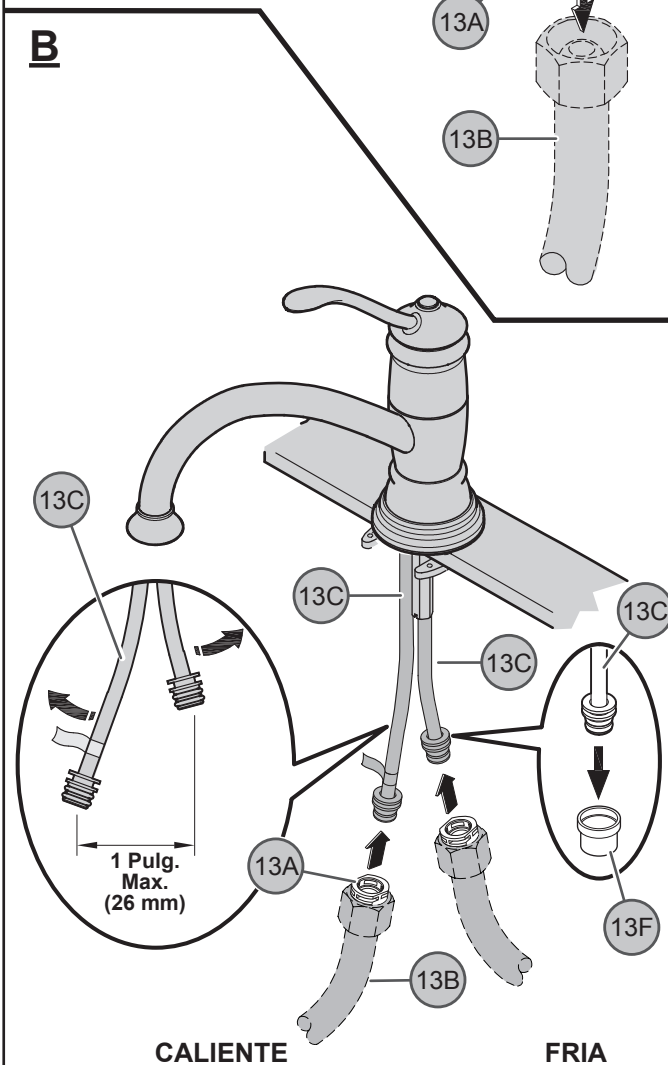
**12 INSTALACIÓN DEL ROCIADOR LATERAL**

Sobre el fregadero, inserte la manguera del rociador lateral (12A) a través de la guía de la manguera (12B). Desde abajo del fregadero, presione el recinto de conexión rápida (12C), que se encuentra en el extremo de la manguera del rociador lateral (12A), firmemente hacia arriba, hacia el tubo receptor (12D), hasta que ya no se le pueda presionar más. Tire del recinto de conexión rápida (12C). Si el recinto y el collarín interno (12E) se separan ligeramente pero no se salen del tubo receptor (12D), la conexión rápida está segura. Para las instalaciones que no requieren ningún rociador lateral, un enchufe (12F) 972-044 se debe utilizar y se debe ordenar por separado.

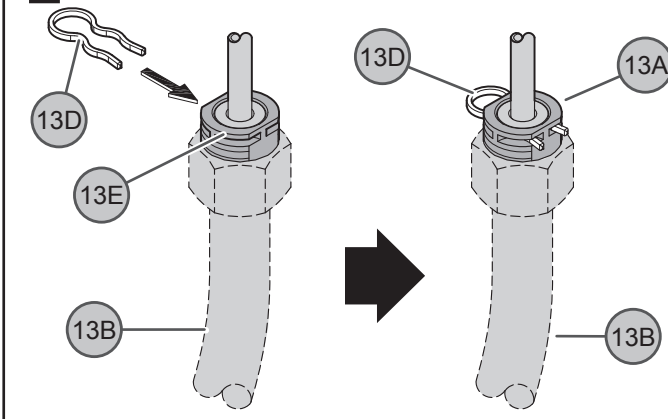
13

Las Líneas de Abastecimiento de agua no son incluidas. Por favor consulte al fabricante y/o sus instrucciones para el correcto método de instalación de líneas de abastecimiento y accesorios. **PRECAUCIÓN:** La aplicación incorrecta de líneas de abastecimiento y accesorios puede causar el fracaso o el agujero de las líneas de abastecimiento y accesorios.

**B**



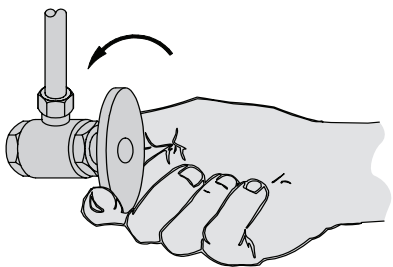
**C**



**13 CONEXIONES DE SUMINISTRO DE AGUA**

**A.** Enrosque los conectores de entrada (10A) en las líneas de suministro de agua (10B).  
**B.** Retire la tapa protectora (10F). Separe suavemente los tubos de entrada de agua caliente y fría (10C) aproximadamente 1 pulg. (26 mm). Conecte las líneas de suministro de agua (10B) a los tubos de entrada del grifo (10C). Conecte la línea de suministro de agua caliente al tubo de entrada de agua caliente indicado con la etiqueta roja.

14

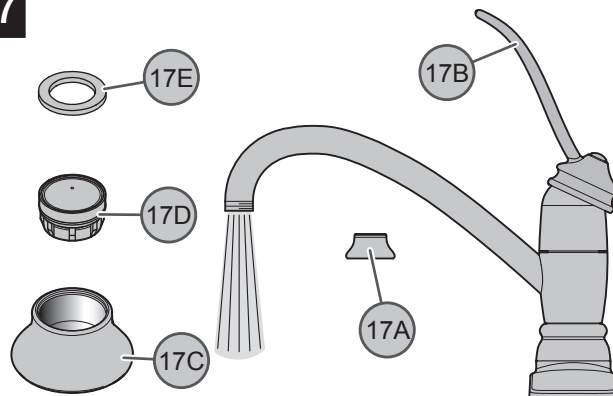


**14 CÓMO ENCENDER LA UNIDAD**

Active el suministro de agua fría y caliente y verifique que no hay fugas arriba y abajo del fregadero.

**Nota:** Después de que la instalación sea completa, purgue el grifo (consulte al paso 17).

17

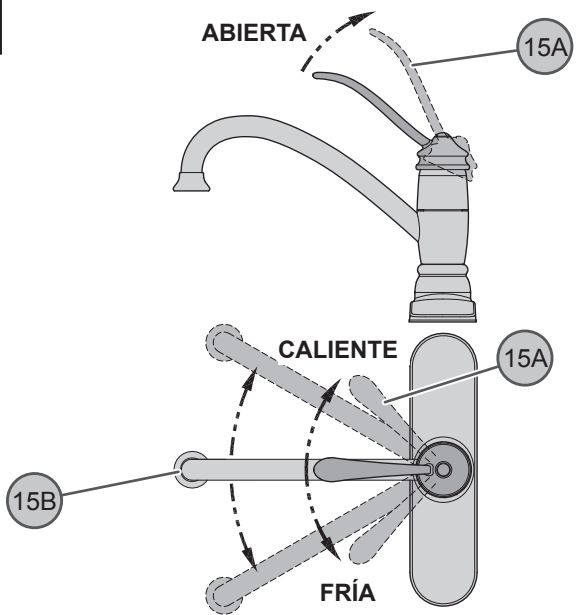


**17 ENJUAGUE Y LIMPIEZA DEL AERADOR**

Luego de efectuar la instalación, retire la caja del aerador (17A). Gire la válvula (17B) a la posición abierta y deje correr el agua fría y caliente por lo menos un minuto cada una. Mientras el agua corre, verifique que no hay fugas. Para limpiar el aerador, desarme la caja del aerador (17A) separando el casco (17C), la cesta (17D) y la arandela (17E) del aerador. Una vez que haya limpiado las partes, re-ensámblelas siguiendo estos pasos en orden inverso.

**FUNCIONES DEL GRIFO**

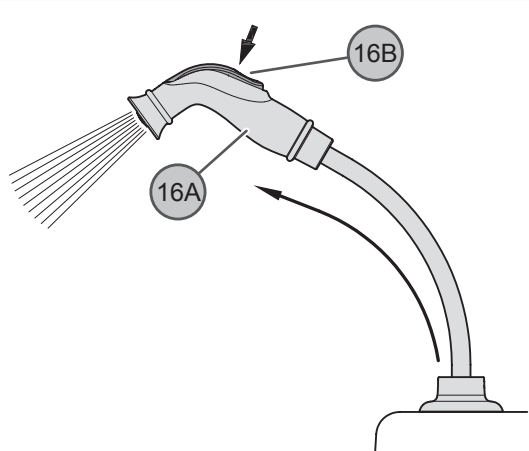
15



**15 FUNCIÓN DE LA VÁLVULA**

Al levantar la manija de palanca (15A), la válvula se activará y permitirá el flujo de agua. El flujo de agua aumentará al continuar levantando la manija de palanca (15A). Al girar la manija de palanca (15A) en sentido contra-horario, la temperatura del agua disminuirá hasta flujo frío únicamente. Al girar la manija de palanca (15A) en sentido horario, la temperatura del agua aumentará hasta flujo caliente únicamente. El surtidor (15A) puede girarse alrededor del cuerpo del grifo en cualquier dirección.

16

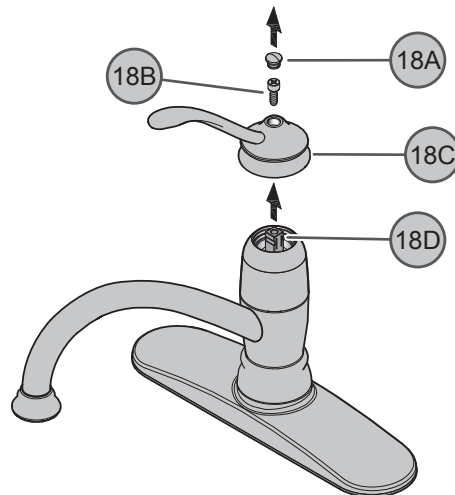


**16 FUNCIONAMIENTO DEL ROCIADOR LATERAL**

El rociador lateral (16A) puede tirarse hacia adelante para rociar agua en cualquier dirección. Para activar el rociador lateral, oprima el botón basculante (16B) situado en la parte posterior del rociador lateral (16A).

**MANTENIMIENTO Y CUIDADO**

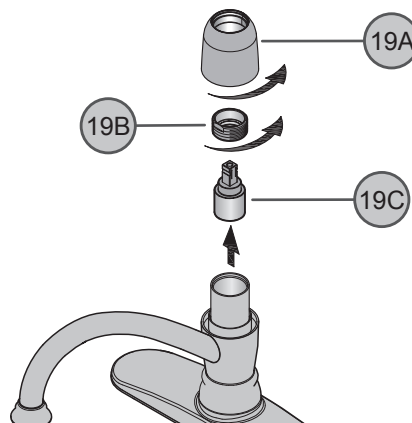
18



**18 CÓMO QUITAR LAS MANIJAS**

¡Cierre el suministro de agua antes de continuar! Manteniendo las válvulas en la posición cerrada, quite el botón decorativo (18A), desenrosque el sujetador (18B) y saque el núcleo de la manija (18C) del vástago de la válvula (18D).

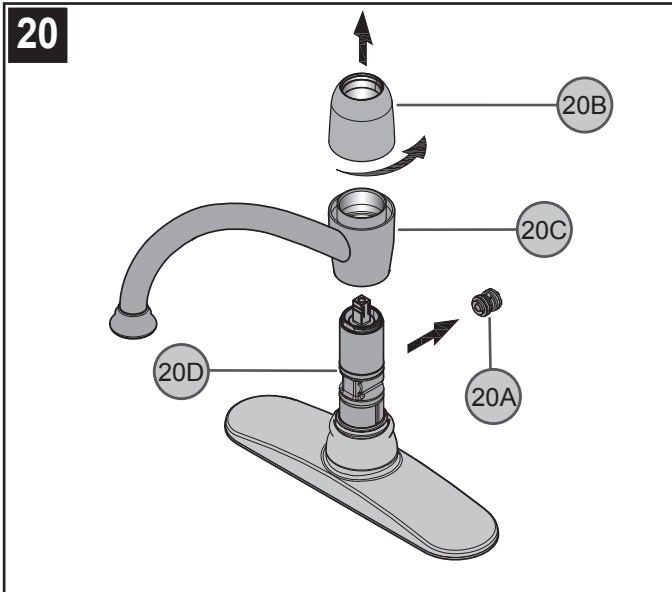
19



**19 REEMPLAZO DEL CARTUCHO**

Cierre los suministros de agua y alivie la presión antes de trabajar en el grifo (consulte el paso 2). Retire la manija (consulte el paso 18). Quite la tapa en forma de cúpula (19A) destornillándola en sentido contra-horario. Destornille el anillo de retención (19B) con una llave ajustable. Quite el cartucho (19C) con cuidado halándolo en forma recta hacia arriba y hacia afuera. Inspeccione el cartucho (19C) para asegurar que no contenga residuos o esté dañado. Limpie o reemplace el cartucho (19C). Re-ensamble el grifo siguiendo los pasos en orden inverso.

ESPAÑOL



**20 MANTENIMIENTO DEL DEFLECTOR**

Si el rociador lateral no funciona correctamente, el mecanismo del deflector puede estar tapado con residuos o puede necesitar reemplazo. Para revisar y/o reemplazar el deflector (20A), **cierre el suministro de agua y alivie la presión antes de trabajar en el grifo** (consulte el paso 2). Retire la manija (consulte el paso 18) y la tapa en forma de cúpula (20B) y levante cuidadosamente el conjunto del surtidor (20C). El mecanismo del deflector (20A) está situado en la sección posterior del cuerpo interior del grifo (20D). Retire cuidadosamente el mecanismo del deflector (20A) y revise para ver si hay residuos. Limpie o reemplace el mecanismo del cartucho (20A). Re-ensamble el grifo siguiendo los pasos en orden inverso.

**PRECAUCIÓN: Mantenimiento**  
**CÓMO DESARMAR:**

1. El almacén donde compró su grifo podría tener repuestos disponibles.
2. Cuando no hay repuestos disponibles, sírvase escribir o llamar al departamento de servicio al consumidor de Price Pfister.
3. **Siempre antes de efectuar algún trabajo en su grifo, cierre el agua y elimine la presión.**

**NOTA: Cuidado del Acabado**

**Instrucciones para limpieza:**  
 Para limpiar y hacer brillar las manijas y el acabado decorativo use solamente un paño suave y húmedo. El uso de pulidores, detergentes, limpiadores abrasivos, solventes orgánicos o ácidos puede provocar daños. **¡El uso de algo más que un paño suave y húmedo invalida nuestra garantía!**

**Acabados especiales:**  
 Los productos con acabados que contienen porcelana u otras sustancias similares no son aceptables para áreas públicas ni para usos comerciales. ¡Su instalación bajo tales circunstancias es bajo el riesgo del usuario!



**1-800-PFAUCET (1-800-732-8238)**

Para obtener información mediante llamadas gratis, llame al 1-800-PFAUCET (1-800-732-8238) o visite [www.pricepfister.com](http://www.pricepfister.com)

- Apoyo a instaladores
- Información sobre cuidado y garantías

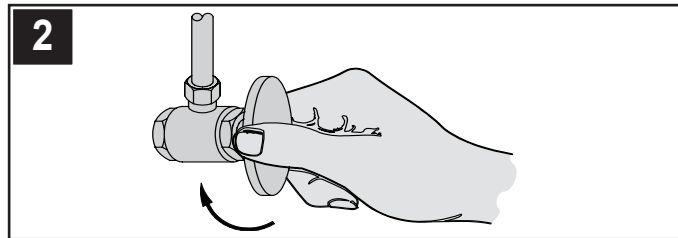
Merci d'avoir acheté ce produit Price Pfister. Tous les produits Price Pfister sont fabriqués avec soin et contrôlés à l'usine pour offrir une longue durée de service sans problème dans des conditions d'utilisation normales. Il est facile de poser ce produit à l'aide d'un outillage de base et de nos illustrations très claires. Pour toute question concernant ce produit, appeler le 1-800-Pfaucet (1-800-732-8238).

## 1 AVANT DE PROCÉDER À LA POSE



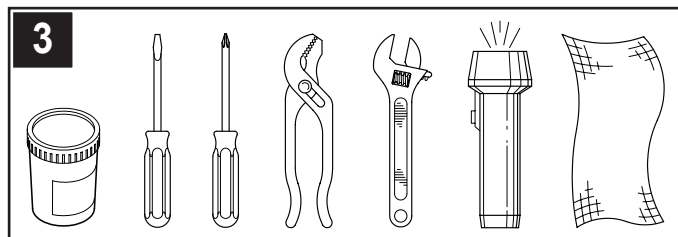
**AVERTISSEMENT :** lire attentivement toutes les instructions avant de procéder à la pose. Price Pfister recommande de faire appel à un professionnel en cas d'incertitude quant à l'installation de ce produit !

Ce produit doit être installé conformément à l'ensemble de la réglementation locale et provinciale applicable à la plomberie et à la construction.



## 2 COUPURE DE L'ARRIVÉE D'EAU

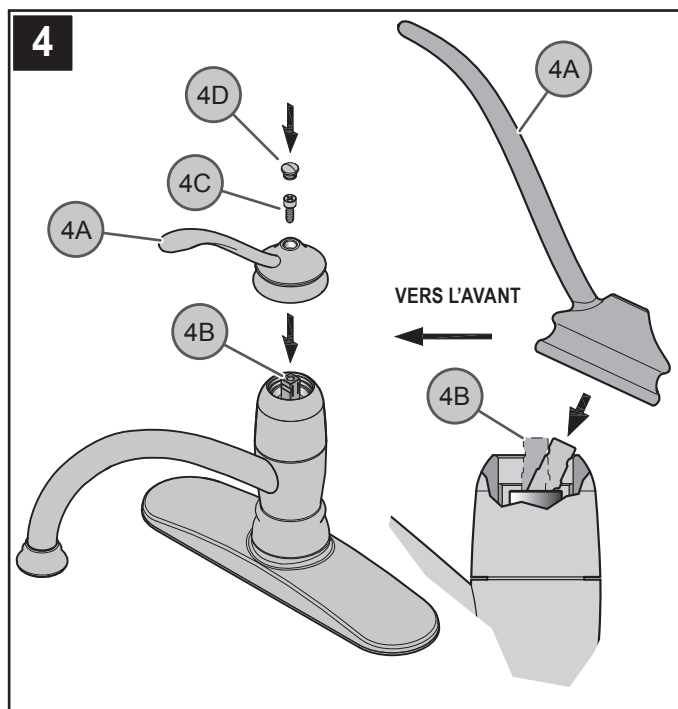
Repérer les arrivées d'eau et fermer leurs robinets. Ces robinets se trouvent généralement sous le lavabo ou à côté du compteur d'eau. En cas de remplacement d'un robinet existant, le déposer du lavabo et nettoyer soigneusement la surface de ce dernier.



## 3 OUTILLAGE RECOMMANDÉ

- Mastic de plombier
- Pince
- Chiffon
- Tournevis plat
- Clé à molette
- Tournevis cruciforme
- Lampe de poche

L'installation peut exiger des tuyaux d'arrivée et/ou des vannes d'arrêt neufs ou d'autres outils.

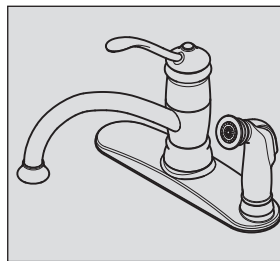


## 4 COMMENT ATTACHER LA POIGNÉE

Placez de la poignée de levier (4A) sur de la tige de valve (4B) et assurez avec la fixation (4C) selon ce qui était démontré. Insérez le bouton décoratif (4D) sur la poignée de levier (4A).

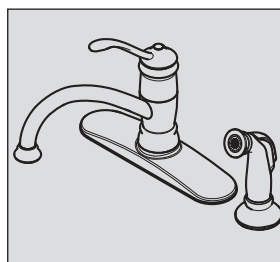
5

Ces instructions s'appliquent à trois installations différentes :



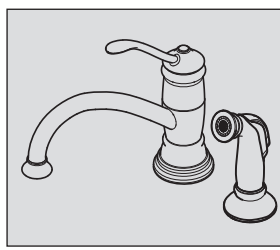
**Modèles 34-3AL**  
Installation 3 trous Avec  
Douchette Latérale

Passer à l'étape 6



**Modèles 34-4AL**  
Installation 4 trous avec  
douchette latérale

Passer à l'étape 8

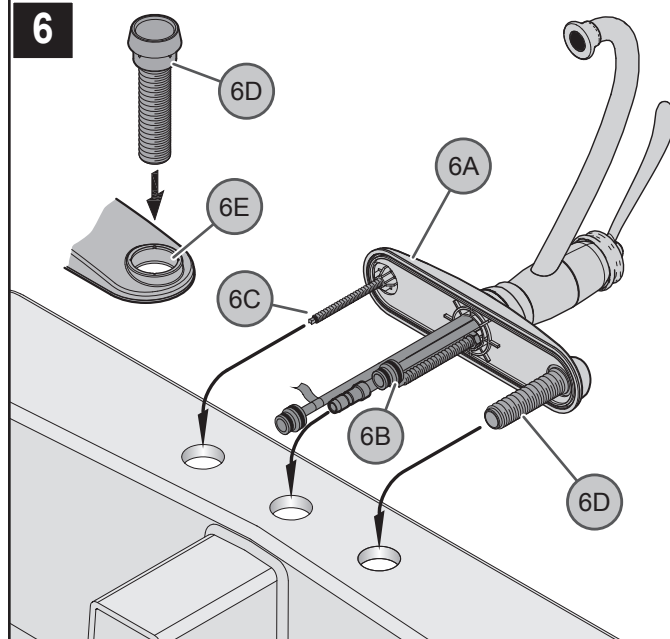


**Modèles 34-4ALS 34-4ALY**  
Installation 2 trous avec  
douchette latérale

Passer à l'étape 10

## INSTALLATION DE ROBINET

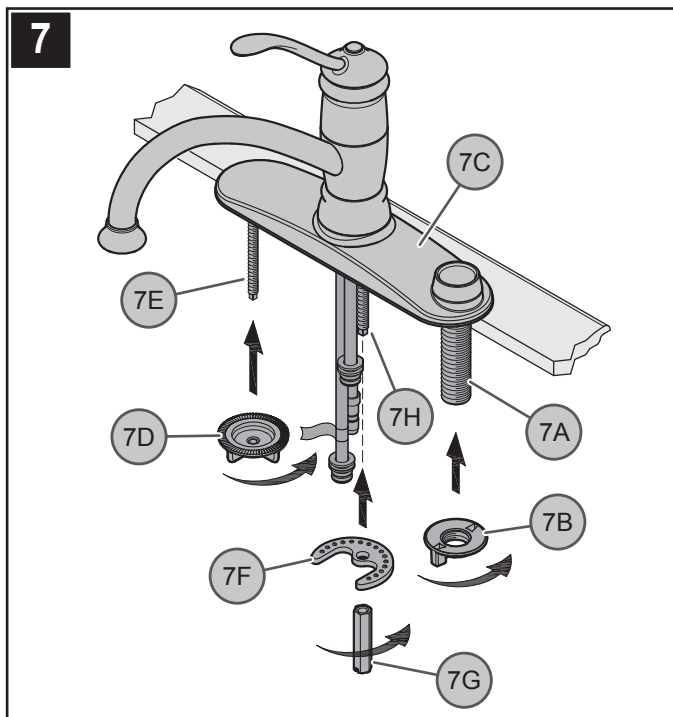
6



## 6 INSTALLATION DE ROBINET DE 3 TROUS

Appliquer du mastic de plombier dans la rainure prévue à cet effet sur le l'applique (6A). Insérer le guide de flexible (6D) dans le trou latéral (6E) de l'applique (6A). Aligner ses ergots et ceux du trou de l'applique. Faire passer les tubes d'arrière (6B) dans le trou central de l'évier. Passez les doigts sur les tiges filetées de robinet (6C) et le guide de flexible (6D) dans les trous d'extrémité de l'évier.

Le l'applique (6A) peut être placé avec le guide de flexible (6D) dans la gauche ou le côté droit (consultez au pas 10 pour le déplacement de l'applique).

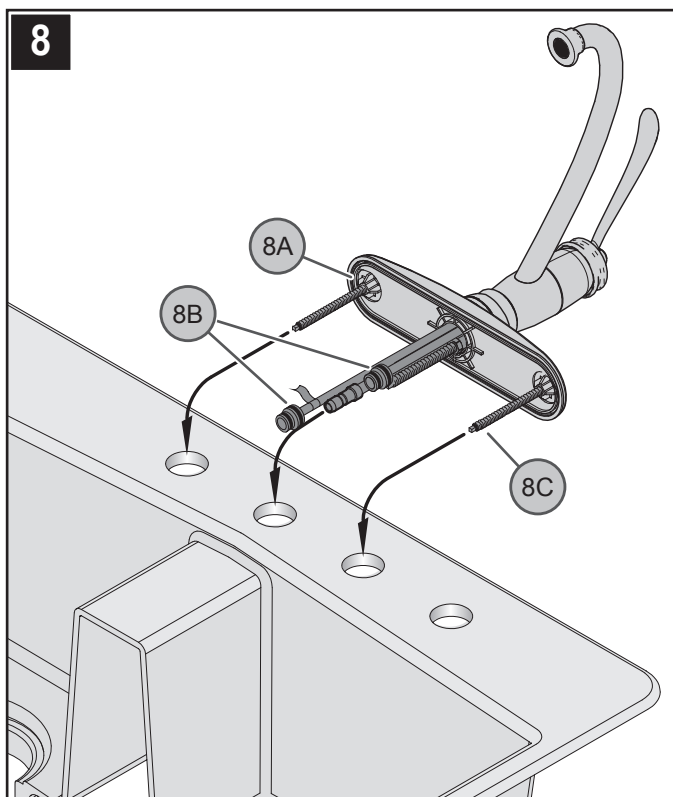


### 7 FIXATION DU ROBINET DE 3 TROUS À L'ÉVIER

Depuis le dessous de l'évier, fixer le guide de flexible (7A) en vissant l'écrou de blocage en plastique (7B). Fixer l'applique (7C) en vissant l'écrou à oreilles (7D) sur la tige filetée de montage (7E). Le serrer avec les doigts. Enlever tout excédent de mastic du pourtour du bord extérieur de l'applique (7C). Fixer le mitigeur en plaçant la rondelle métallique (7F) et l'écrou long (7/16 po. Hexagonal) (7G) sur la tige filetée de montage (7H). S'assurer que les bosses de la rondelle métallique (7F) sont sur le dessus. Serrer jusqu'à ce que le mitigeur soit fixé solidement à l'évier. **Ne pas trop le serrer !**

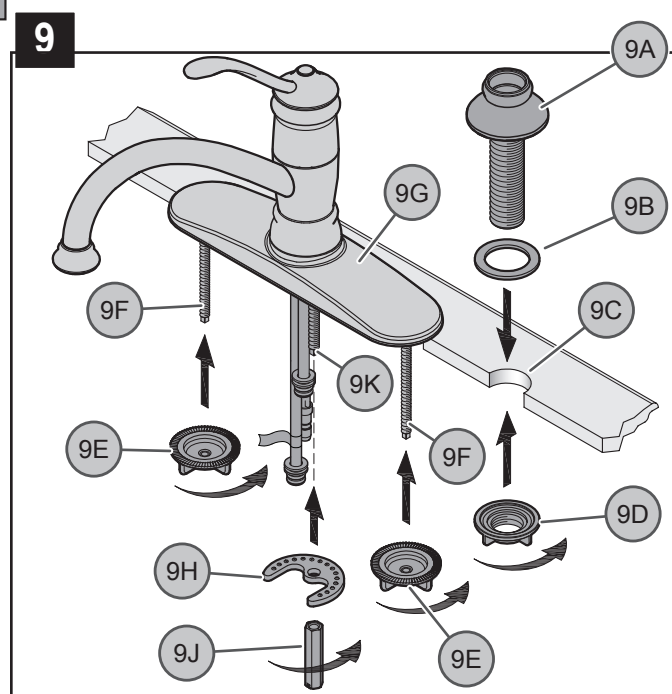


Passer à l'étape 12



### 8 INSTALLATION DE ROBINET DE 4 TROUS

Appliquer du mastic de plombier dans la rainure prévue à cet effet sur la plaque inférieure (8A). Faire passer les tubes d'arrière (8B) dans le trou central de l'évier. Passez les doigts sur les tiges filetées de robinet (8C) dans les trous d'extrémité de l'évier.



### 9 FIXATION DU ROBINET DE 4 TROUS À L'ÉVIER

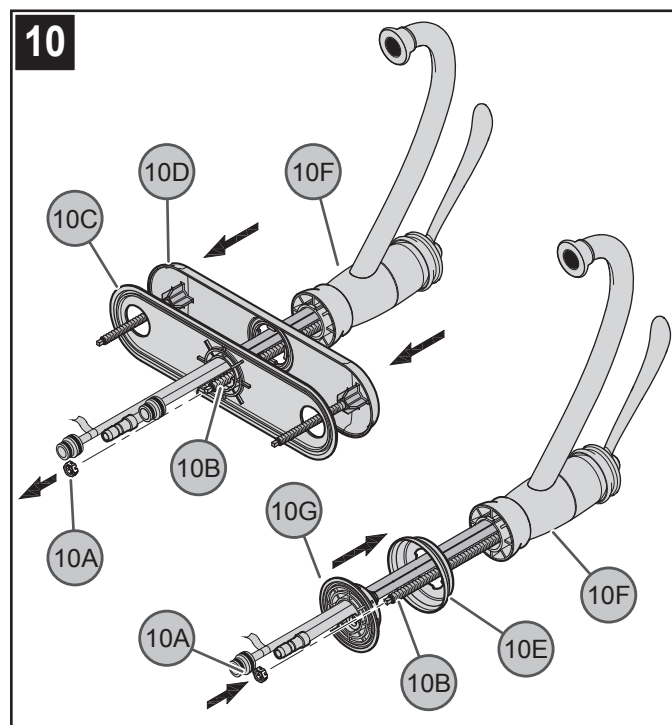
De au-dessus de l'évier, introduire le tube fileté de la guide de tuyau (9A) au travers du joint (9B) dans les trous (9C) de l'évier.

Depuis le dessous de l'évier, fixer le guide de flexible (9A) en vissant les contre-écrous en plastique (9D). La serrer avec les doigts. Depuis le dessous de l'évier, serrer les écrous à oreilles (9E) avec les doigts sur les tiges filetées de montage (9F). Enlever tout excédent de mastic du pourtour du bord extérieur de l'applique (9G). Fixer le mitigeur en plaçant la rondelle métallique (9H) et l'écrou long (7/16 po. Hexagonal) (9I) sur la tige filetée de montage (9K). S'assurer que les bosses de la rondelle métallique (9H) sont sur le dessus. Serrer à l'aide d'un tournevis plat ou d'une clé à molette jusqu'à ce que le mitigeur soit fixé solidement à l'évier.

**Ne pas trop la serrer !**

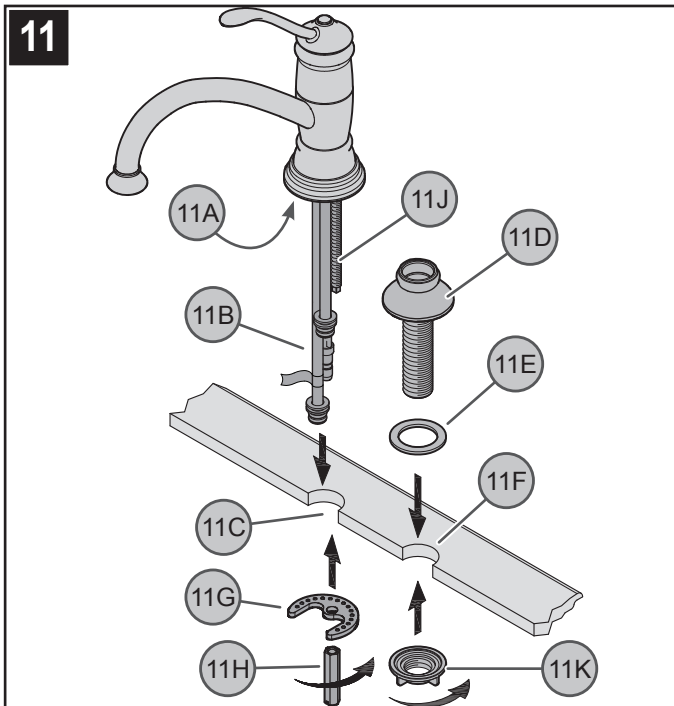


Passer à l'étape 12



### 10 PRÉPARATION DE ROBINET

De sous le robinet, enlevez l'écrou (10A) du poteau de support (10B). Retirez la plaque inférieure (10C) et la plaque pour plate-forme (10D) du corps du robinet (10F). Assemblez l'anneau de montage (10E) et l'anneau de mastic (10G) au fond du corps de robinet (10F). Fixez en plaçant et en filetant l'écrou (10A) sur le poteau de support (10B).

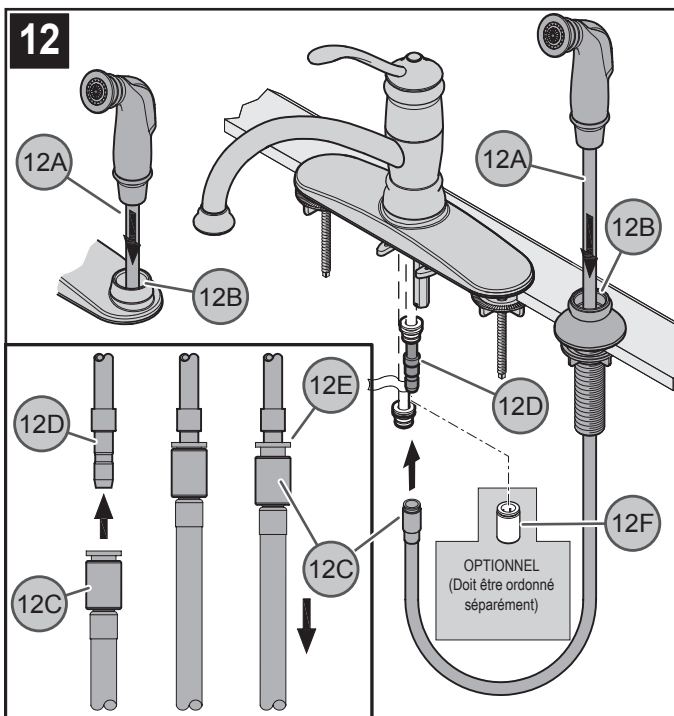


### 11 INSTALLATION DU ROBINET

Appliquer du mastic de plombier dans la rainure prévue à cet effet sur l'anneau de mastic (11A). Faire passer les tubes d'arrivée (11B) par le trou central (11C) de l'évier. Introduire le tube fileté de la guide de tuyau (11D) au travers du joint (11E) dans les trous (11F) de l'évier.

Depuis le dessous de l'évier, fixer le mitigeur en plaçant la rondelle métallique (11G) et l'écrou long (7/16 po.) (11H) sur la tige filetée de montage (11J). S'assurer que les bosses de la rondelle métallique (11G) sont sur le dessus. Serrer jusqu'à ce que le mitigeur soit fixé solidement à l'évier. Fixer le guide de tuyau (11D) en vissant les contre-écrous en plastique (11K). La serrer avec les doigts. Enlever tout excédent de mastic du pourtour du bord extérieur de l'anneau de mastic (11A).

**Ne pas trop la serrer !**

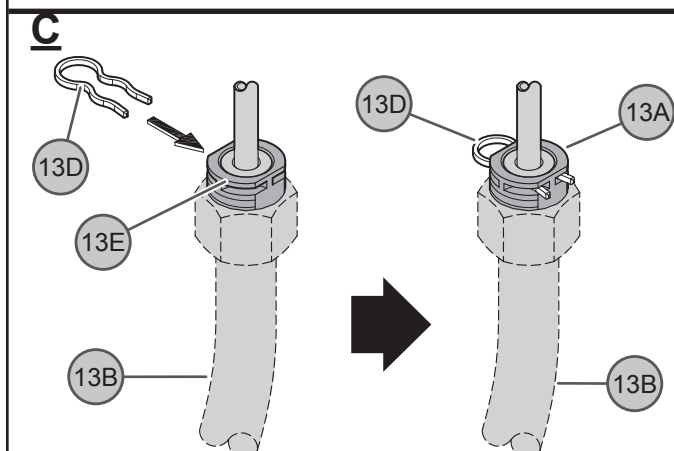
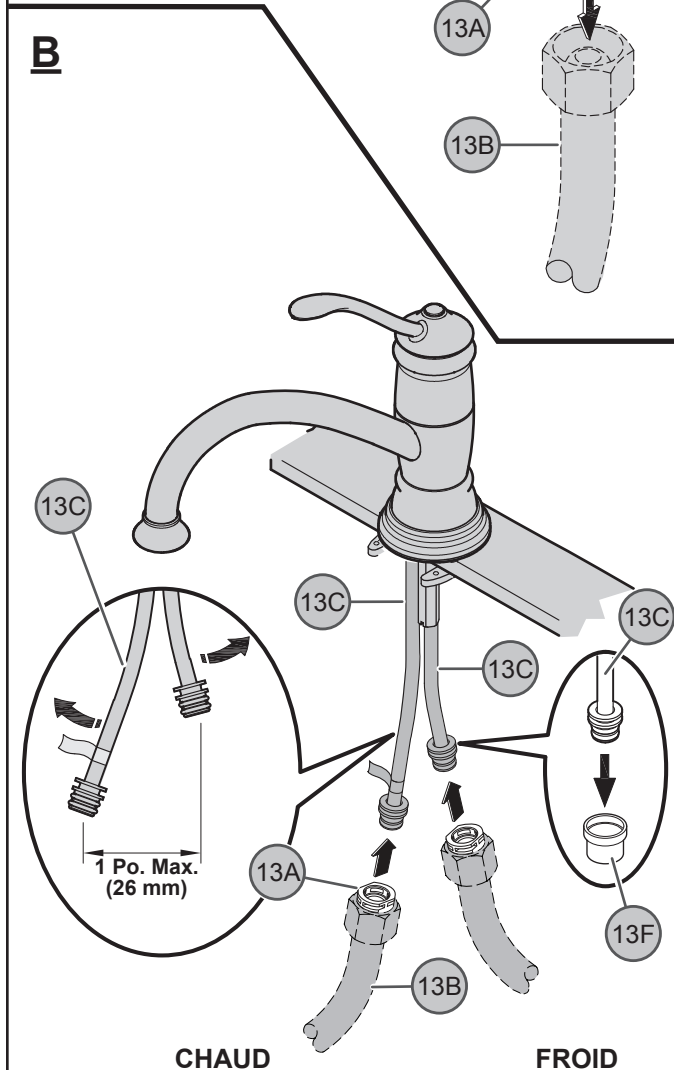


### 12 POSE DE LA DOUCHETTE LATÉRALE

De au-dessus de l'évier, insérer le flexible de douche (12A) dans son guide (12B). Depuis le dessous de l'évier, pousser fermement le raccord rapide (12C) qui se trouve à l'extrémité du flexible de douche latérale (12A) à fond vers le haut pour le placer sur le tube récepteur (12D). Tirer sur le raccord rapide (12C). Si ce raccord se sépare légèrement du collet intérieur (12E) mais ne se détache pas du tube récepteur (12D), le branchement est solide. Pour l'installation qui n'exige pas d'une douche latérale, une prise (12F) 972-044 doit être utilisée (ordonné séparément).

**13** Les tubes d'arrivée d'eau ne sont pas inclus. Consultez le fabricant et/ou ses instructions pour la méthode correcte pour l'installation.

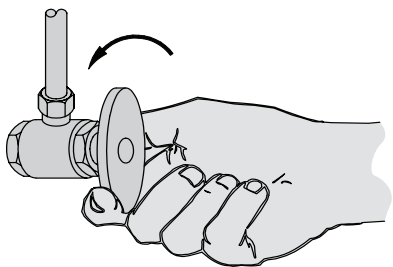
**PRUDENCE:** L'application incorrecte des tubes d'arrivée et des connecteurs d'arrivée peut être suivie par l'échec ou la fuite des lignes.



### 13 RACCORDEMENTS DES ARRIVÉES D'EAU

**A.** Vissez les connecteurs d'entrée (10A) aux tuyaux d'arrivée d'eau (10B).  
**B.** Retirez la couverture protecteur (10F). Avec précaution, écarter les tubes d'arrivée d'eau chaude et d'eau froide (10C) d'environ 26 mm (1 po). Et puis, assemblez les tuyaux d'arrivée d'eau (10B) aux tubes d'arrivée (10C). La ligne d'approvisionnement en eau chaude va à l'essaiage d'arrivée chaud indiqué par l'étiquette rouge.  
**C.** Insérez l'agrafe (10D) dans les trous du connecteur d'entrée (10E) pour fixer les lignes d'approvisionnement en eau, comme il est montré.

14

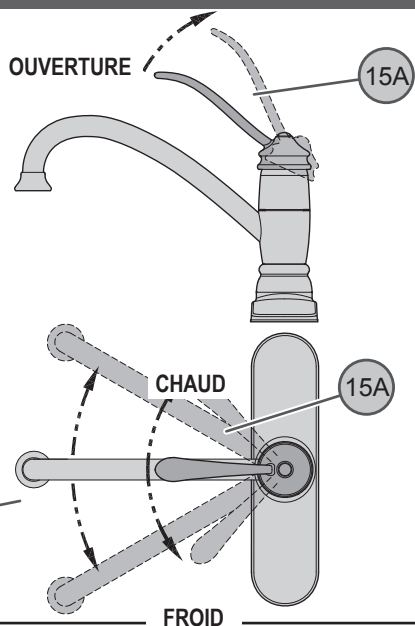
**14 MISE EN SERVICE DU MÉLANGEUR**

Ouvrir les robinets d'arrivée d'eau chaude et d'eau froide, puis vérifier le dessus et le dessous du lavabo pour voir s'il y a des fuites.

**Note :** Après que l'installation est complète, purgez le robinet (consultez au pas 17).

**15 FONCTIONNEMENT DES ROBINETS**

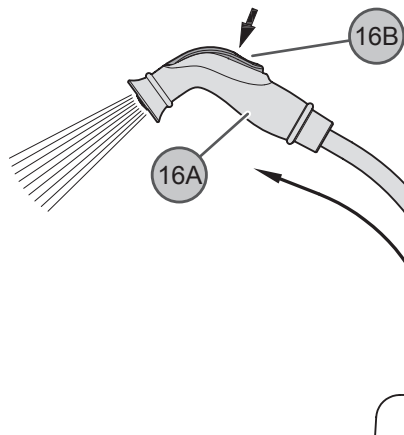
15

**15 FONCTIONNEMENT DU ROBINET**

Le relevage de la manette (15A) active le robinet pour permettre à l'eau de couler. Le débit augmente au fur et à mesure que l'on relève la manette (15A). Lorsqu'on tourne la manette (15A) dans le sens antihoraire, la température de l'eau baisse jusqu'à ce que celle-ci soit tout à fait froide. Lorsqu'on tourne la manette (15A) dans le sens horaire, la température de l'eau augmente jusqu'à ce que celle-ci soit très chaude.

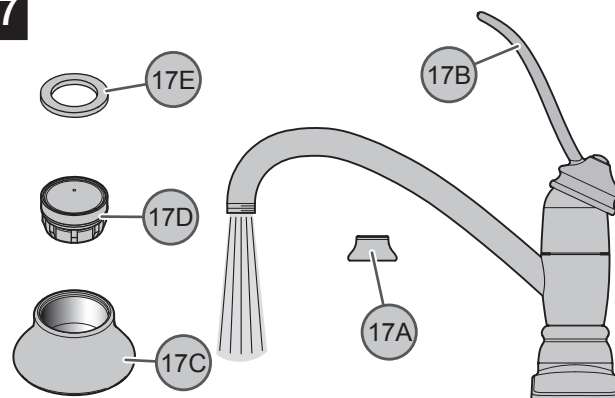
Le bec (15B) peut pivoter dans n'importe quel sens autour du corps du mitigeur.

16

**16 FONCTIONNEMENT DE LA DOUCHETTE LATÉRALE**

La douchette latérale (16A) peut être tirée vers l'avant pour pulvériser de l'eau dans toute direction. Pour l'activer, appuyer sur la bascule (16B) qui se trouve au dos de la douchette (16A).

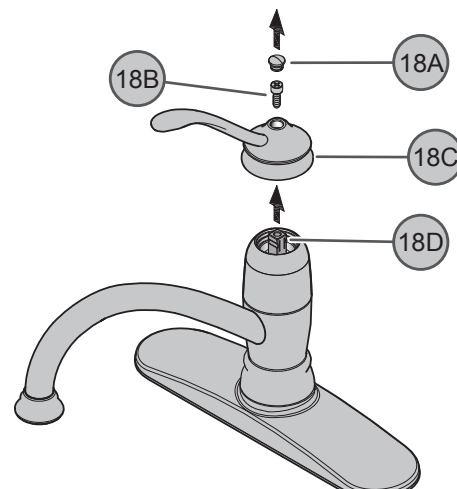
17

**17 RINÇAGE ET NETTOYAGE DE L'AÉRATEUR**

Une fois que l'installation est terminée, retirer le logement d'aérateur (17A). Ouvrir le robinet (17B) et laisser l'eau chaude et l'eau froide couler pendant au moins une minute chacun. Contrôler l'étanchéité pendant que l'eau coule. Pour nettoyer l'aérateur, démonter son logement (17A) en séparant le boîtier d'aérateur (17C), la crépine (17D) et la rondelle (17E). Une fois que les pièces ont été nettoyées, remonter l'aérateur en procédant dans l'ordre inverse.

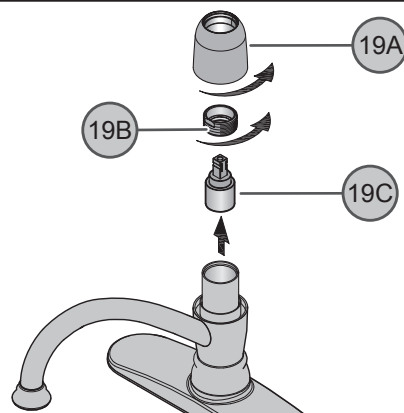
**ENTRETIEN ET SOINS**

18

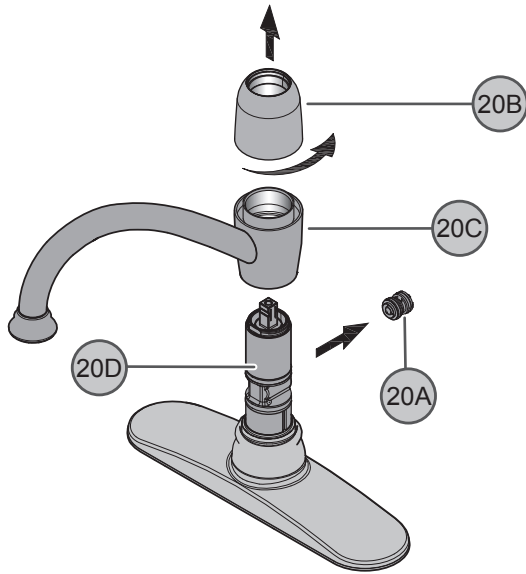
**18 DÉPOSE DES MANETTES**

**Couper l'eau avant de commencer !** Les robinets étant en position fermée, détacher le bouton décoratif (18A), dévisser la fixation (18B) et retirer le moyeu de manette (18C) de la tige de robinet (18D).

19

**19 REMPLACEMENT DE LA CARTOUCHE**

**Couper les arrivées d'eau et dépressuriser avant de travailler sur le mitigeur (voir l'étape 2).** Retirer la manette (voir l'étape 18). Retirer le capuchon bombé (19A) en le dévissant dans le sens antihoraire et enlever (19B). Dévisser l'anneau de retenue (19C) à l'aide d'une clé à molette. Retirer la cartouche (19C) avec précaution en la tirant droit vers le haut. Examiner la cartouche (19C) pour voir si elle est encrassée ou endommagée. Nettoyer la cartouche (19C) ou la remplacer. Remonter le mitigeur en inversant l'ordre des opérations.

**20**

## **20 ENTRETIEN DU MÉCANISME DE DÉRIVATION**

Si la douchette latérale ne fonctionne pas correctement, il est possible que le mécanisme de dérivation soit encrassé ou doive être remplacé. Pour vérifier et/ou remplacer le mécanisme de dérivation (20A), **couper l'arrivée d'eau et dépressuriser avant de travailler sur le mitigeur** (voir l'étape 2). Retirer la manette (voir l'étape 18) et le capuchon bombé (20B), puis soulever le bec (20C) avec précaution. Le mécanisme de dérivation (20A) se trouve à l'arrière du corps intérieur de mitigeur (20D). Retirer le mécanisme de dérivation (20A) avec précaution pour voir s'il est encrassé. Nettoyer ou remplacer le mécanisme de dérivation (20A). Remonter le mitigeur en inversant l'ordre des opérations.



### **ATTENTION : entretien**

#### **DÉMONTAGE**

1. Il se peut que les pièces de rechange soient disponibles dans le magasin dans lequel le mélangeur a été acheté.
2. Lorsque des pièces de rechange ne sont pas disponibles, bien vouloir contacter le département du service après-vente de Price Pfister par courrier ou par téléphone.
3. **Toujours couper les arrivées d'eau et dépressuriser avant de travailler sur le mélangeur.**



### **REMARQUE : entretien des garnitures**

#### **Instructions de nettoyage :**

N'utiliser qu'un chiffon humide pour nettoyer et polir toutes les manettes et ornements décoratives. L'utilisation de pâte à polir, de détergents, de produits nettoyants abrasifs, de solvants organiques ou d'acide peut endommager ces pièces. **L'utilisation d'autre chose qu'un chiffon humide annulera la garantie !**

#### **Garnitures spéciales :**

les garnitures contenant de la porcelaine ou une autre substance similaire ne sont pas acceptables dans les lieux publics ou les établissements commerciaux. La pose de telles garnitures se fait aux risques de l'utilisateur.



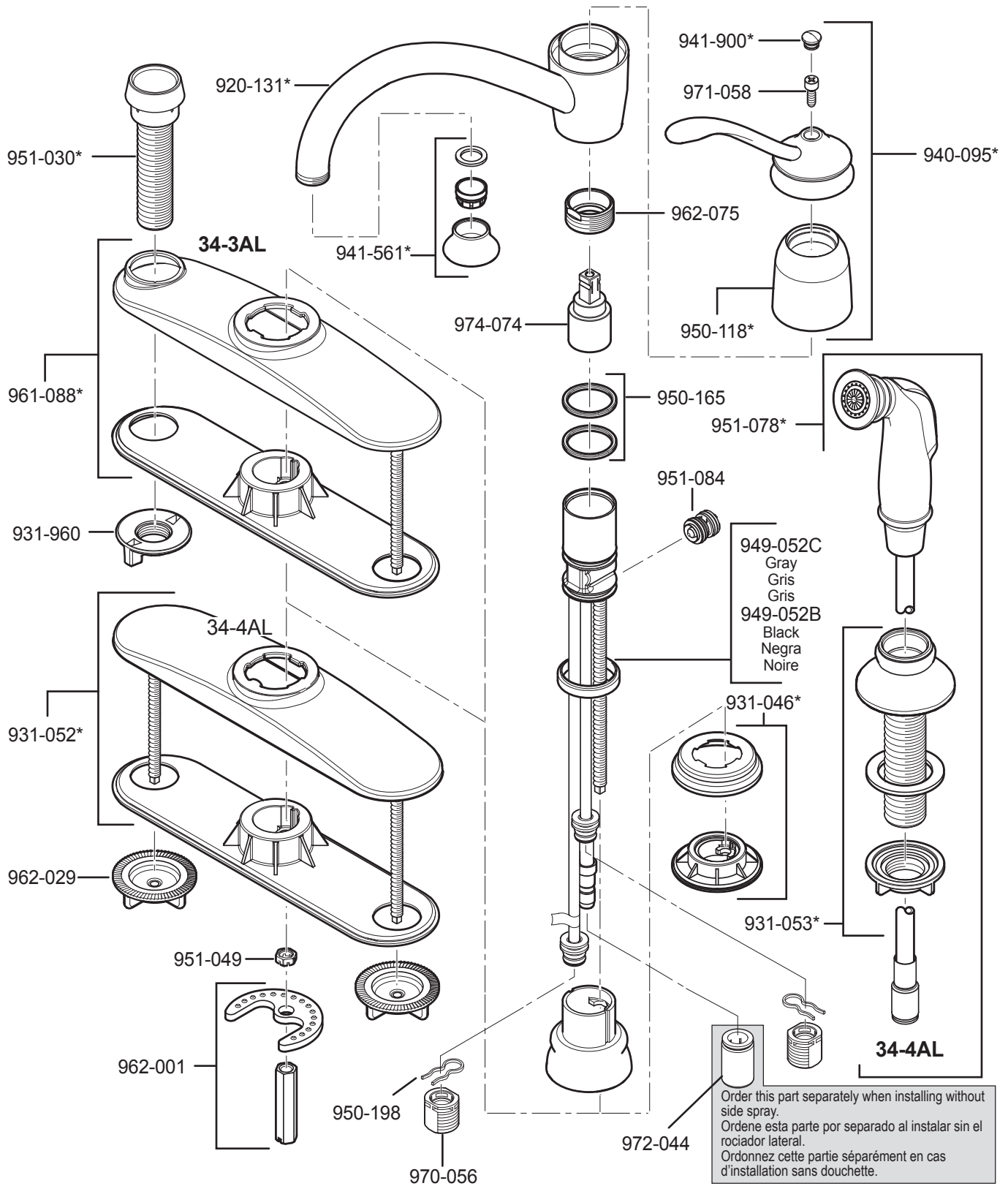
**1-800-PFAUCET (1-800-732-8238)**

Pour les renseignements concernant les services sans frais de Pfister, appelez (1-800-732-8238) ou visitez [www.pricepfister.com](http://www.pricepfister.com)

- Aide pour le montage
- Renseignements sur l'entretien et la garantie



# 34-4AL ■ 34-3AL



	English	Español	Français
*	Letter Designates Finish	La Letra Indica el Terminado	La Lettre Designe La Fini
A	Polished Chrome	Cromo Pulido	Chrome Poli
S	Stainless Steel	Acero Inoxidable	Acier Inoxydable
Y	Tuscan Bronze	Bronce Toscano	Bronze Le Toscan

# Price Pfister

19701 DaVinci  
 Lake Forest, CA 92610  
 Phone: 1-800-Pfaucet  
 www.pricepfister.com

A **BLACK & DECKER** COMPANY