




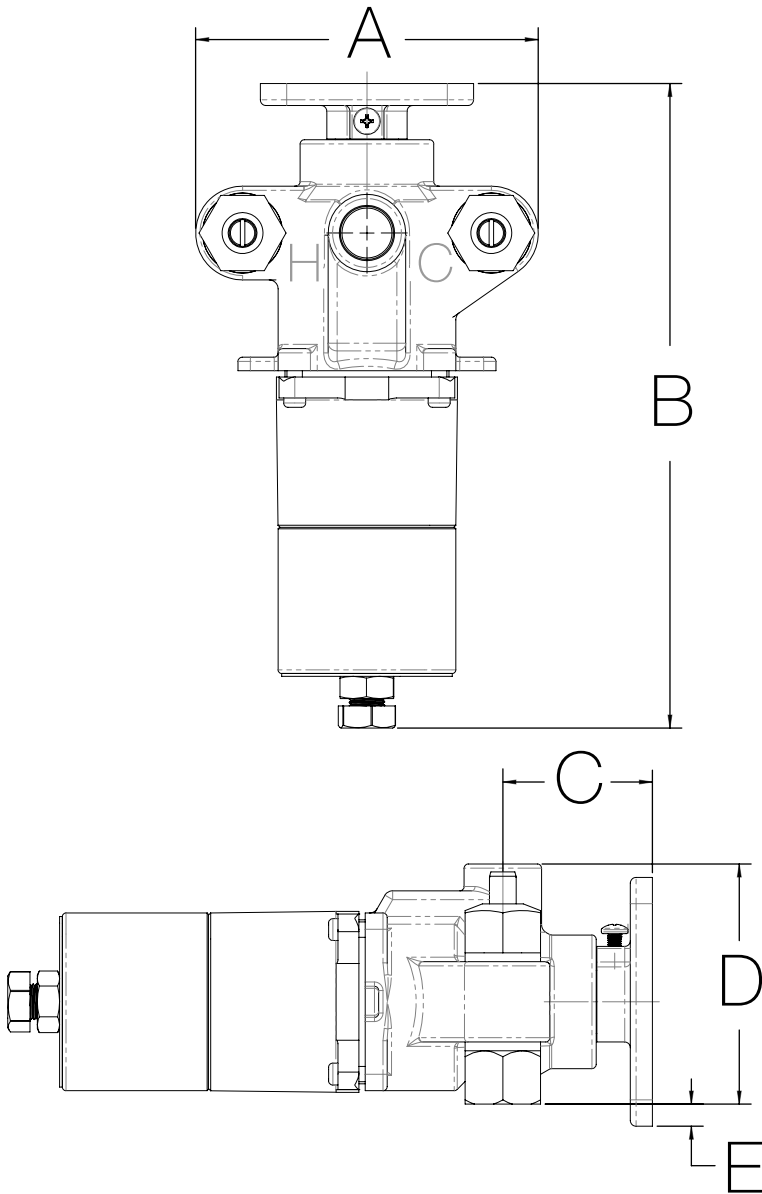
7-102, 7-200, 7-400, 7-500, 7-700, 7-900, 7-1000  
**TempControl 7 Series**  
**Operation & Maintenance Manual**

Coordinating Model Numbers	Specification
<input type="checkbox"/> <b>HTA-100</b> <i>High temp audio/visual alarm system</i> <input type="checkbox"/> <b>T-425-( )</b> <i>3" bimetal dial thermometer</i> <input type="checkbox"/> <b>BV-( )</b> <i>Volume control shut off valves</i> <input type="checkbox"/> <b>SV-( )</b> <i>Solenoid valve</i> <input type="checkbox"/> <b>TF-( )</b> <i>Tee fittings</i> <input type="checkbox"/> <b>WHA-1</b> <i>Water hammer arrestor</i> <b>Note:</b> Insert proper model number in parenthesis.	TempControl thermostatic mixing valve made from lead free** metal components. Models 102-700 feature serviceable integral check stops. Models 900 & 1000 feature removable check stops with union ells (see table 1 for flow rates).  <b>Temperature control range:</b> 70°F - 150°F (21.1°C - 65.6°C)  <b>Approach temperature:</b> 5°F (2.8°C)  **According to US Senate bill S.3874, the term "lead free" is defined as follows: "not more than a weighted average of 0.25 percent lead when used with respect to the wetted surfaces of pipes, pipe fittings, plumbing fittings, and fixtures"
<b>Modifications</b> <i>(Components Certified Separately)</i>  <input type="checkbox"/> <b>-NI</b> <i>Rough nickel finish</i> <input type="checkbox"/> <b>-P</b> <i>Polished chrome highlight finish</i> <input type="checkbox"/> <b>-W</b> <i>Wall mounting bracket</i>  <b>Note:</b> Append appropriate suffix to model number.	<b>Compliance</b>  -ASME A112.18.1/CSA B125.1, CSA B125.3 -ASSE 1017 -NSF/ANSI 61.9, NSF/ANSI 372   <u>For California Residents</u> <b>WARNING:</b> This product contains chemicals known to the State of California to cause cancer, birth defects, or other reproductive harm.
<b>Warranty</b>  <b>5 Years</b> - for commercial installations. Refer to <a href="http://www.symmons.com/warranty">www.symmons.com/warranty</a> for complete warranty information.	

Valve Model	Min. Flow Rate*	Min. Flow Rate (per ASSE 1017)	Pressure Differential - psi (kPa)					
			5 psi (34 kPa)	10 psi (69 kPa)	20 psi (138 kPa)	25 psi (172 kPa)	30 psi (207 kPa)	45 psi (310 kPa)
7-102	0.5 gpm (1.9 L/min)	0.5 gpm (1.9 L/min)	1 gpm (4 L/min)	3 gpm (11 L/min)	6 gpm (23 L/min)	7 gpm (27 L/min)	8 gpm (30 L/min)	11 gpm (42 L/min)
7-200	0.5 gpm (1.9 L/min)	5 gpm (19 L/min)	7 gpm (27 L/min)	12 gpm (46 L/min)	18 gpm (68 L/min)	21 gpm (80 L/min)	23 gpm (87 L/min)	27 gpm (102 L/min)
7-400	0.5 gpm (1.9 L/min)	9 gpm (34 L/min)	18 gpm (68 L/min)	27 gpm (102 L/min)	37 gpm (140 L/min)	41 gpm (155 L/min)	44 gpm (167 L/min)	53 gpm (201 L/min)
7-500	0.5 gpm (1.9 L/min)	13 gpm (49 L/min)	22 gpm (83 L/min)	38 gpm (144 L/min)	50 gpm (190 L/min)	55 gpm (209 L/min)	59 gpm (224 L/min)	70 gpm (265 L/min)
7-700	0.5 gpm (1.9 L/min)	13 gpm (49 L/min)	25 gpm (95 L/min)	43 gpm (163 L/min)	57 gpm (216 L/min)	62 gpm (235 L/min)	66 gpm (250 L/min)	77 gpm (292 L/min)
7-900	0.5 gpm (1.9 L/min)	13 gpm (49 L/min)	30 gpm (114 L/min)	55 gpm (209 L/min)	76 gpm (288 L/min)	84 gpm (318 L/min)	89 gpm (337 L/min)	104 gpm (394 L/min)
7-1000	0.5 gpm (1.9 L/min)	13 gpm (49 L/min)	38 gpm (144 L/min)	67 gpm (254 L/min)	100 gpm (379 L/min)	111 gpm (421 L/min)	120 gpm (455 L/min)	140 gpm (531 L/min)

\*Minimum flow rate when valve is installed at or near the hot water source with recirculated tempered water and continuously operating circulating pump.

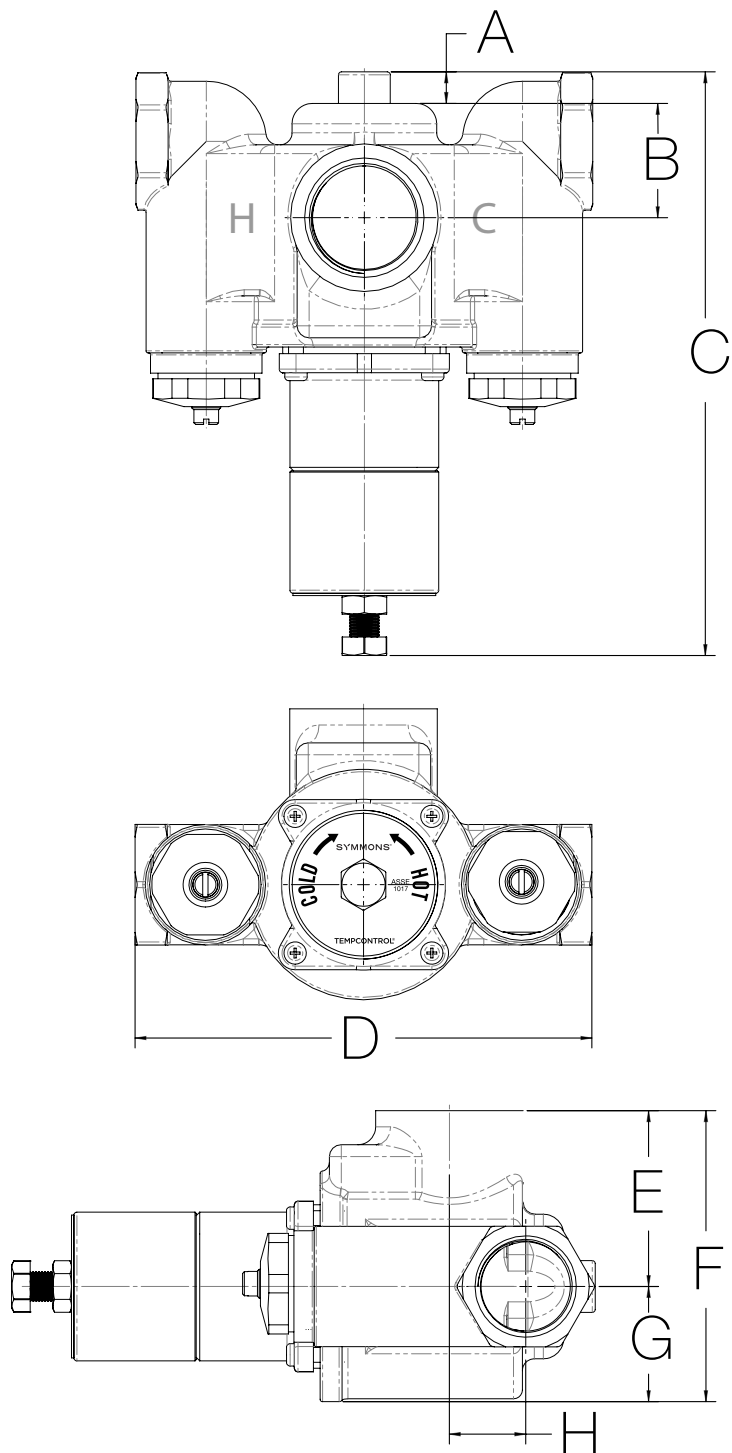
## Dimensions (7-102)



TempControl Valve Sizes		
Model No.	Inlet	Outlet
7-102	1/2"	1/2"
Measurements		
Dimension	7-102	
A	4 13/16", 122 mm	
B	9 1/4", 235 mm	
C	2 1/8", 53 mm	
D	3 3/8", 86 mm	
E	5/16", 8 mm	

**Note:** Dimensions are subject to change without notice.

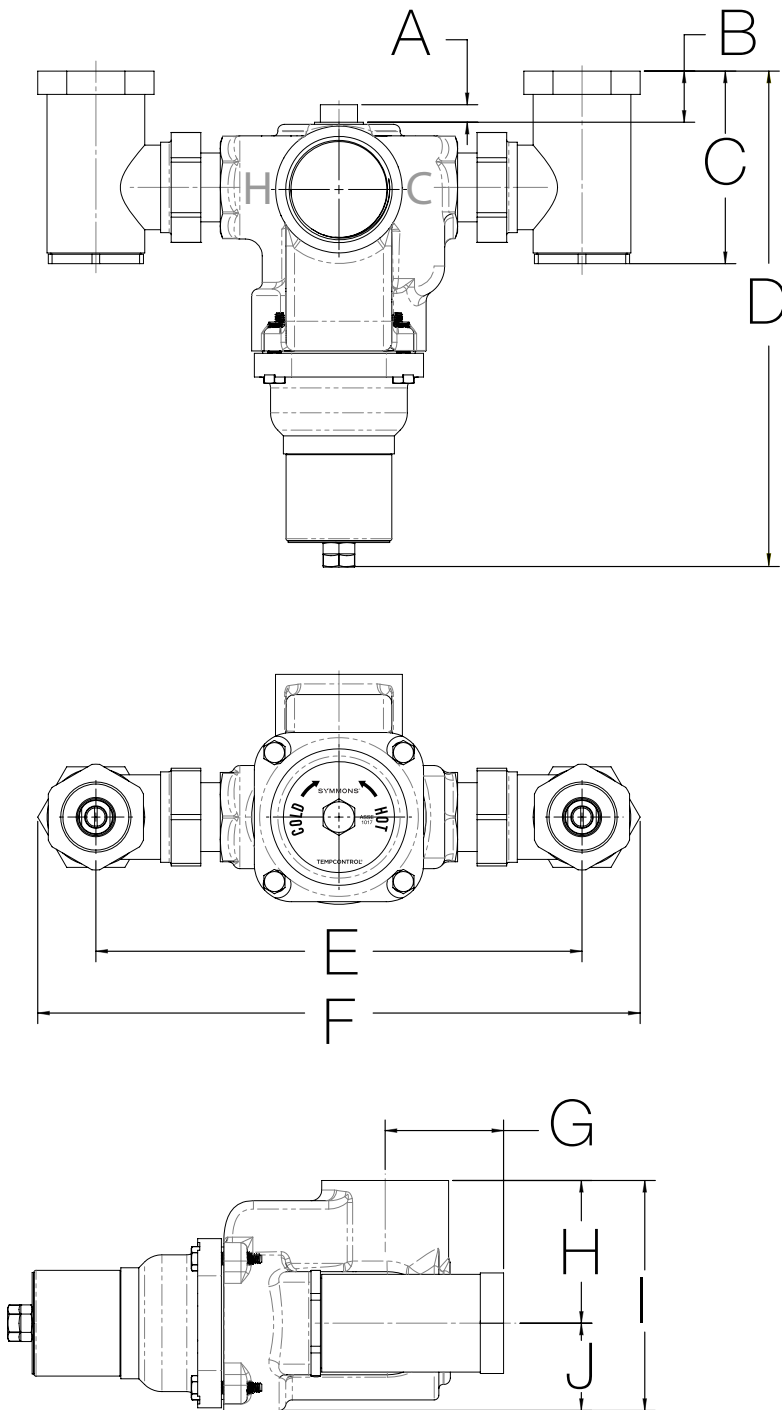
## Dimensions (7-200, 7-400, 7-500, 7-700)



TempControl Valve Sizes		
Model No.	Inlet	Outlet
7-200	3/4"	3/4"
7-400	3/4"	1"
7-500	1"	1 1/4"
7-700	1 1/4"	1 1/2"
Measurements		
Dimension	7-200	7-400
A	1/2", 13 mm	1/2", 13 mm
B	1 7/8", 46 mm	1 1/2", 39 mm
C	8 15/16", 226 mm	9 3/4", 251 mm
D	5 15/16", 150 mm	6 1/2", 165 mm
E	2", 51 mm	2 5/8", 67 mm
F	3 5/16", 84 mm	4 1/8", 105 mm
G	1 5/16", 33 mm	1 1/2", 38 mm
H	11/16", 17 mm	3/4", 19 mm
Dimension	7-500	7-700
A	1/2", 13 mm	1/2", 13 mm
B	1 15/16", 49 mm	1 15/16", 49 mm
C	9 5/8", 248 mm	9 13/16", 243 mm
D	7 11/16", 195 mm	7 11/16", 195 mm
E	2 15/16", 75 mm	2 15/16", 75 mm
F	4 7/8", 124 mm	4 7/8", 124 mm
G	1 15/16", 49 mm	1 15/16", 49 mm
H	1 5/16", 33 mm	1 5/16", 33 mm

**Note:** Dimensions are subject to change without notice.

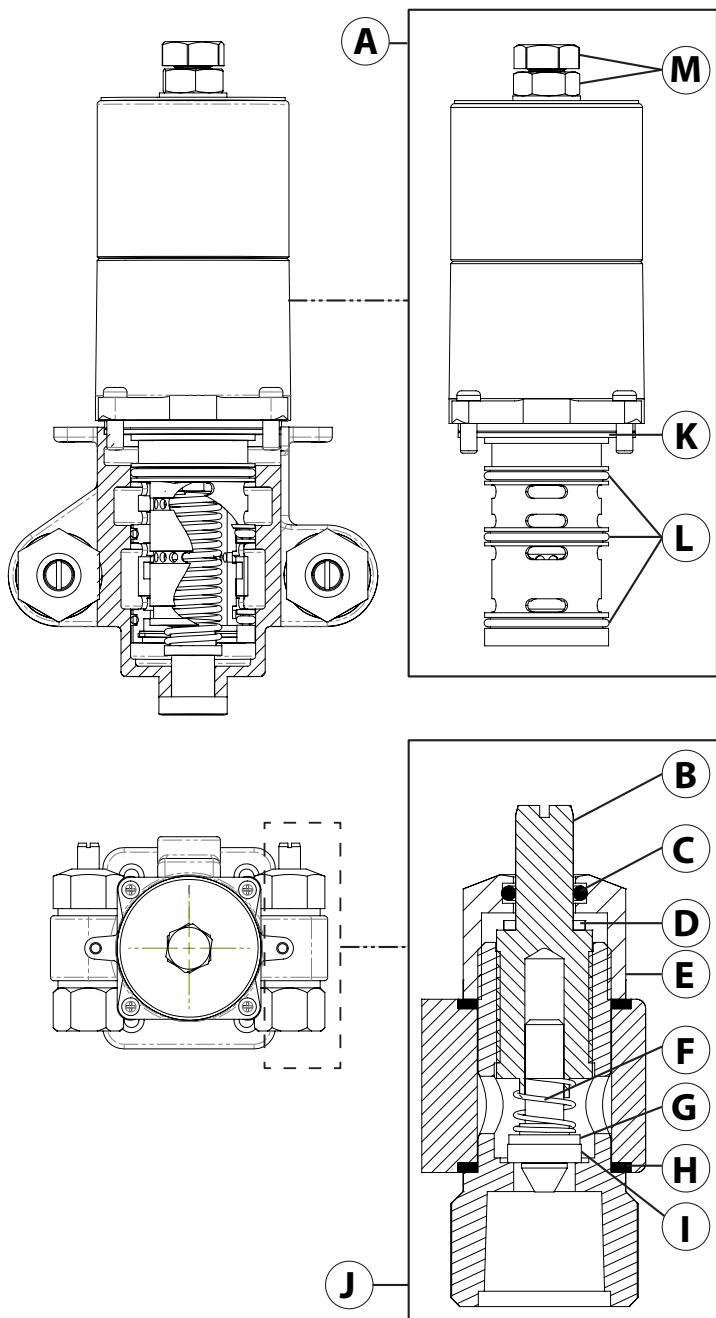
## Dimensions (7-900, 7-1000)



TempControl Valve Sizes		
Model No.	Inlet	Outlet
7-900	1 1/2"	1 1/2"
7-1000	1 1/2"	2"
Measurements		
Dimension	7-900	7-1000
A	7/16", 11 mm	7/16", 11 mm
B	1 3/16", 31 mm	1 3/16", 31 mm
C	4 9/16", 116 mm	4 9/16", 116 mm
D	11 1/6", 280 mm	11 3/8", 289 mm
E	11 1/2", 296 mm	11 1/2", 296 mm
F	14 1/4", 365 mm	14 1/4", 365 mm
G	2 13/16", 71 mm	2 13/16", 71 mm
H	3 3/8", 86 mm	3 3/8", 86 mm
I	5 7/16", 138 mm	5 7/16", 138 mm
J	2 1/16", 52 mm	2 1/16", 52 mm

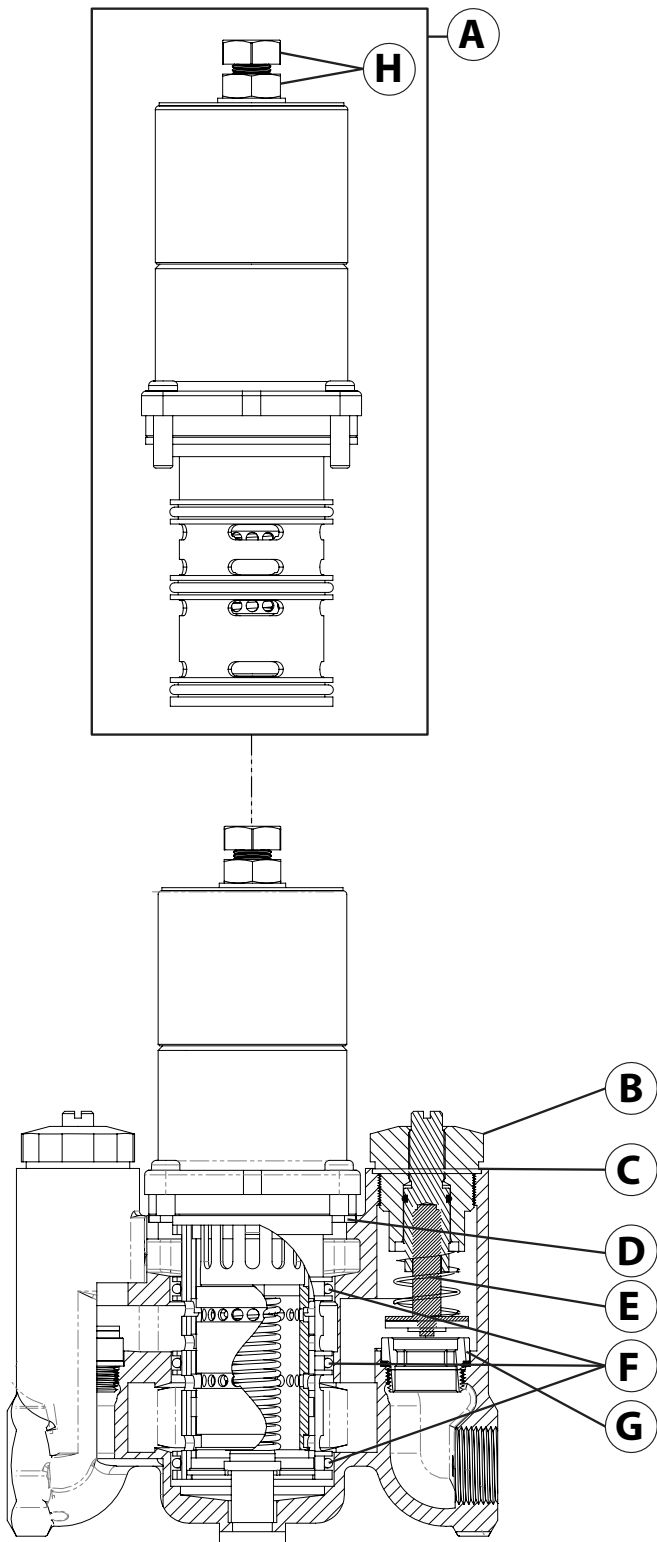
**Note:** Dimensions are subject to change without notice.

## Parts Breakdown (7-102)



Replacement Parts for Model 7-102		
Item	Description	Part No.
A	Valve replacement cartridge	7-102NW
B	Check stop spindle	CSE-35
C	O-ring	CE-29
D	Washer	CSE-31
E	Check stop cap	CSE-26
F	Check spring	CSE-34
G	Check assembly	CSE-33
H	Gasket (x2)	CE-30
I	Check stop washer	CSE-32
J	Check stop body with stop seat	CSE-25
K	Casing Gasket	TT-11-200
L	Sleeve o-rings (x3)	TT-15-200
M	Temperature Control Nut & Bolt	RO-028

## Parts Breakdown (7-200, 7-400, 7-500, 7-700)

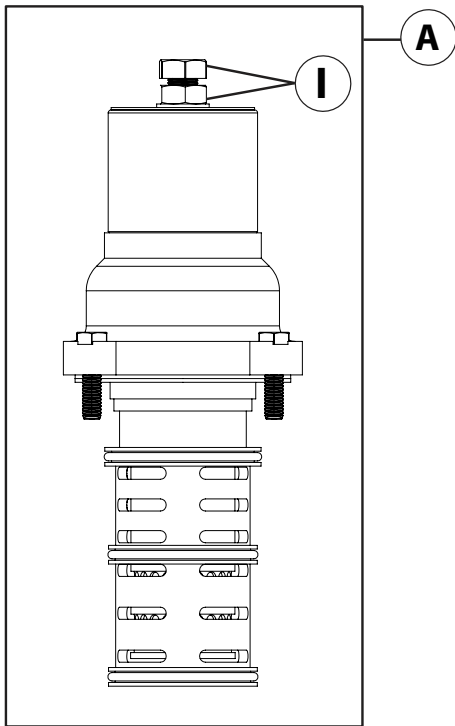


Replacement Parts for Models 7-200/400/500/700		
Item	Description	Part No.
A	Valve replacement cartridge	7-( )NW
B	Complete replacement stop assembly	TT-50AN-( )
C	Cap gasket	TT-21-( )
D	Casing gasket	<b>7-200</b> TT-11-200 <b>7-400/500/700</b> TT-11-400
E	Check spindle and spring	TT-181-( )
F	Sleeve o-rings (x3)	<b>7-200</b> TT-15-200 <b>7-400/500/700</b> TT-15-400
G	Check seat	TT-26-( )
H	Temperature Control Nut & Bolt	RO-028

### Notes:

- 1) Insert proper model number in parenthesis if model number does not appear in part number.
- 2) Item B contains cap gasket, check spring, bonnet assembly and check assembly.

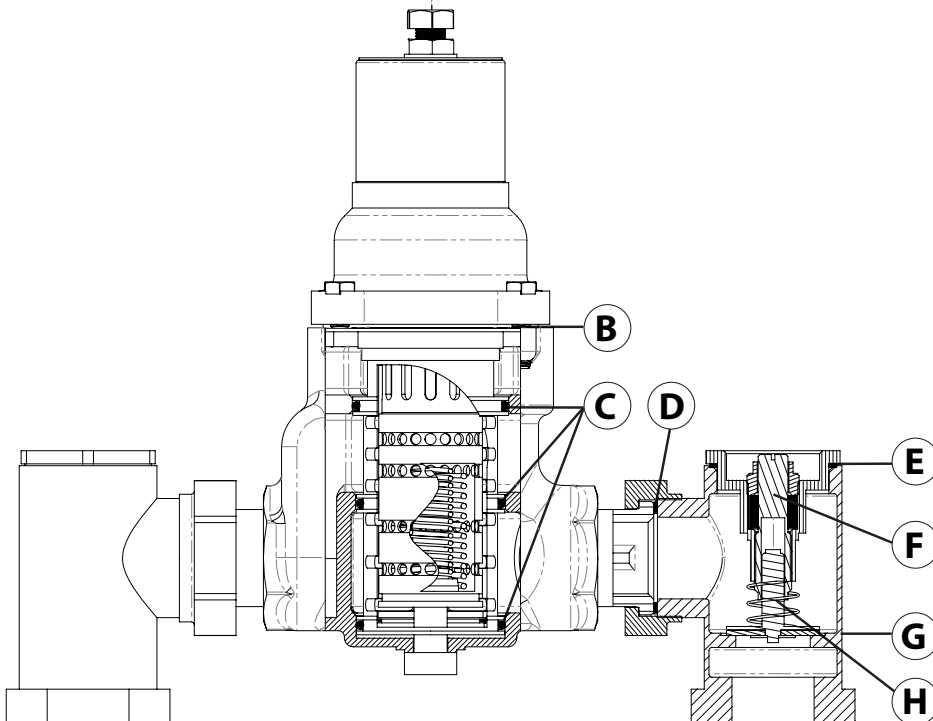
## Parts Breakdown (7-900, 7-1000)



Replacement Parts for Models 7-900/1000		
Item	Description	Part No.
A	Valve replacement cartridge	7-( )NW
B	Casing gasket	TT-11-1000
C	Sleeve o-rings (x3)	TT-15-1000
D	Gasket between stops	TT-32A
E	Cap gasket	TT-21-( )
F	Stop spindle	TT-22-( )
G	Complete replacement stop body assembly	TT-27-( )
H	Check spindle and spring	TT-200-( )
I	Temperature Control Nut & Bolt	RO-028

### Notes:

- 1) Insert proper model number in parenthesis if model number does not appear in part number.
- 2) Item G contains cap gasket, check spring, bonnet assembly and check assembly.



## Installation




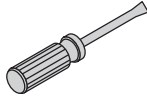
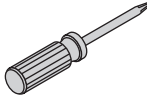
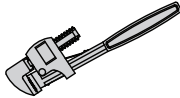

### CAUTION



When these installation, operation and service instructions are not followed, TempControl functionality and service life will be greatly impaired.

All TempControl installations must have a thermometer and shut off valve in the tempered water outlet (as shown in diagrams) for proper troubleshooting service.

### Tools Required for Installation

Adjustable wrench	
Flat head screwdriver	
Phillips head screwdriver	
Pipe wrench	
Safety goggles	

## Technical Assistance and Sizing

For assistance and technical support in sizing and selection of the proper TempControl valve or system, consult the Symmons TempSize™ computer sizing software, your local representative or Symmons Customer Service Department at 1-800-SYMMONS.

## TempControl Location

An underlying premise of thermostatic water controller installations is an acknowledgement that thermostatic mixing valves will not operate properly when the hot and cold supplies serving such valves are subjected to pressure disturbances when flowing less than full capacity. In a correctly designed mechanical room, the supply pressures are stable and not subject to pressure disturbances. As a result, when a TempControl valve is indicated as being located in the mechanical room, a Hi-Low system will not be recommended.

When the valve's location is indicated as being outside of the mechanical room, it is assumed that there is a potential for pressure fluctuations in the hot and cold supply lines servicing a TempControl valve and a Hi-Low system will automatically be recommended.

**Note:** If the system is designed so that the TempControl valve is not subjected to high-low flow demand, even though it is located outside the mechanical room, a single TempControl valve will operate properly.

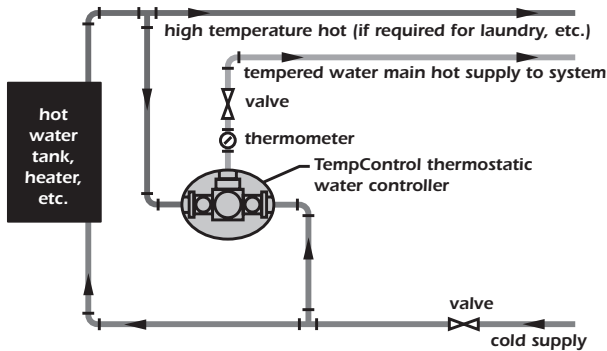
## Installation Tips

All piping should be thoroughly flushed before TempControl is installed. The TempControl can be installed in any position as long as Hot Water is connected to "H" port and Cold Water is connected to "C" port. Close service stops on TempControl, remove cartridge, (see page 11 for Cartridge Removal & Replacement section), turn on water supply and open stops wide to thoroughly flush piping before putting valve in service. TempControl is set at factory to deliver approximately 100° F.



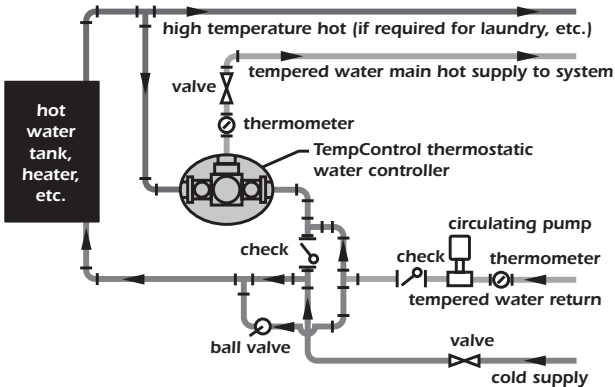
Piping Diagrams

**Diagram 1**  
Single Valve Installation at or near Hot Water Source



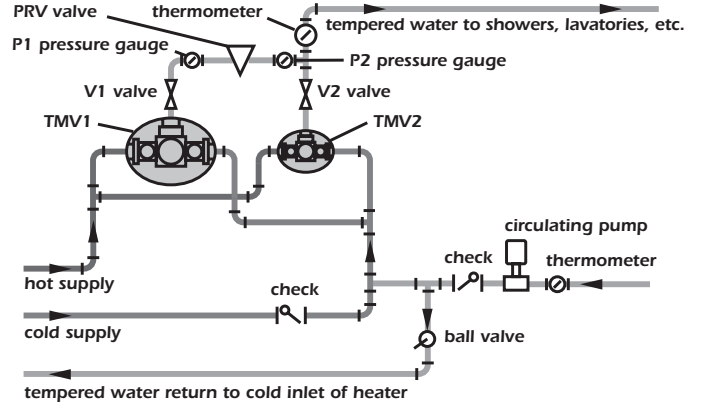
**Diagram 1** INSTALLATION AT OR NEAR THE HOT WATER SOURCE: TempControl must be positioned below the hot water tank or heater, well below the high temperature water line. This procedure creates a heat trap and protects against hot water migrating through the controller.

**Diagram 2**  
Single Valve Installation with Recirculating Tempered Water at Hot Water Source



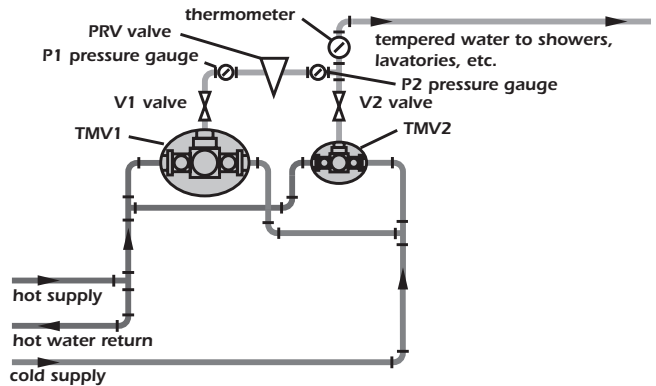
**Diagram 2** INSTALLATION WITH RECIRCULATING TEMPERED WATER AT HOT WATER SOURCE: TempControl must have the return line connected exactly as shown. This procedure allows the controller to maintain the set temperature during periods of no draw by (a) allowing the major volume of return water to supply the cold inlet of the TempControl and (b) the minor volume of return water to be reheated and supply the hot inlet of the TempControl. When there is no water draw on the plumbing system, no water can be added to the system; therefore, the “cold” and “hot” supplies to the TempControl must come from within the system as described below using the ball valve for fine tuning the operation as outlined in (a) and (b).

**Diagram 3**  
Remote HI-LOW System Installation with Recirculating Tempered Water



**Diagram 3** REMOTE HI-LOW INSTALLATION WITH RECIRCULATING TEMPERED WATER OR HOT WATER RETURN: TempControl Hi-LOW system must have the return line connected exactly as shown (See Diagram 2 notes).


**Diagram 4**  
Remote HI-LOW System Installation with Recirculating Hot Water



**Diagram 4** REMOTE HI-LOW INSTALLATION WITH RECIRCULATING HOT WATER SUPPLY ONLY: TempControl Hi-LOW system must be piped as shown.

### Operation & Adjustment

Cycle valve to full hot (counterclockwise) then cold (clockwise) 3 full times allowing valve to reach full temperature. With approximately 80% of the design intent flowing water, turn adjustment bolt to obtain desired setting and lock nut in place. Thermostatic water controllers should be sized according to the flow capacity required from the valve, NOT the pipe size supplied to the valve. For assistance and technical support in sizing and selection of the proper TEMPCONTROL Thermostatic Water Controller, consult the Symmons TEMPSIZE™ computer sizing software, your local representative or Symmons Customer Service Department at 1-800-SYMMONS.

 **CAUTION:** Turning adjustment bolt fully counterclockwise will remove bolt from TempControl. If this occurs simply replace bolt.

---

For systems piped to **Diagram 2:**

1. With ball valve closed, set TempControl to desired temperature with water flowing from tempered water line.
2. After obtaining desired temperature, stop the water flow.
3. Crack the ball valve open so that a small amount of water is returned to the hot water source. This allows the TempControl to maintain the set temperature during periods of no draw on the system.
4. During no draw, observe the thermometer on the discharge of the TempControl. If the temperature increases above the setting in Step 1, close the ball valve slightly or if temperature decreases, open it slightly.

---

For systems piped to **Diagram 3:**

1. Turn off recirculating pump and close ball valve.
2. Shut off (V1).
3. Open 5 showers or equivalent to the full hot position.
4. Set small TempControl valve (TMV2) to the full cold position and note the temperature on thermometer.
5. Shut off valve (V2) and open valve (V1). Set large TempControl valve (TMV1) to desired system temperature (make sure adjustment screw on PRV valve is in the full clockwise position).
6. Shut off 2 showers or equivalent (leaving 3 still on) and open valve (V2).
7. Turn PRV adjustment screw counterclockwise until temperature (T) equals that obtained in step #4.
8. Adjust TempControl valve (TMV2) to desired system temperature and system will be in operational mode.

9. Stop the water flow, after obtaining desired temperature and turn on the recirculating pump.
10. Crack the ball valve open so that a small amount of water is returned to the hot water source. This allows the TempControl to maintain the set temperature during periods of no draw on the system.
11. During no draw, observe the thermometer on the discharge on the TempControl. If the temperature increases above the setting in step #8, close the ball valve slightly or open it if the temperature decreases.

---

For systems piped to **Diagram 4:**

Follow steps 2 through 9 for systems piped to **Diagram 3**. Ignore reference to recirculating pump in step 9 (not applicable to this installation).

---

### Maintenance

The cartridge unit contains the entire valve control mechanism. For non-interrupted service, keep a spare cartridge on hand.

TempControl valve control mechanism must be kept clean and free from deposits and any foreign matter build-up that will be present in many water systems. Inspect within 30 days of initial installation or operation. If inspection determines that your water system causes deposits and foreign matter build-up monthly, then valve should be cleaned monthly as follows: Remove cartridge (see page 11 for Cartridge Removal & Replacement section) and soak in any acceptable de-liming agent (or regular household vinegar). Wash off deposits, be sure piston is moving freely in its sleeve, and replace cartridge. Clean more frequently if your system so demands (do not completely remove piston from cartridge).

The Check Valves in the TempControl are highly important factors in its proper operation. If chips, dirt or other foreign materials lodge on the seats and prevent the checks from fully seating, there may be a bypass of water into the opposing line, and the TempControl will not operate to its set delivery temperature. A bypass may be detected by feeling the supply line while the TempControl is not operating. If, for example, the cold line feels hot, the cold water check is not seating properly. It should be removed and the check and its seat cleaned.

### Cartridge Removal & Replacement

Before removing a used cartridge for cleaning, have new casing gasket and sleeve o-rings on hand.

Shut off supplies at stop checks by turning clockwise.

Remove 4 bolts on cartridge bolt flange.

With 2 large bladed screwdrivers, pry evenly on two opposite sides of bolt flange until cartridge is free to be removed by hand. Pull out cartridge with a twisting and turning action, always keeping cartridge on center line.

Leave compensating spring in position at bottom center of valve body.

Clean cartridge as described in maintenance instructions.

Replace sleeve O-rings and grease same.

With a twisting and pushing action, replace cartridge in valve body until bolt flange is firmly against housing gasket.

While holding cartridge in place, replace bolts and tighten. Do not attempt to pull cartridge into position with bolts—it will damage the valve control mechanism.

Open stops and adjust temperature.

### Seasonal Use

When a TempControl is used seasonally (schools, campgrounds, golf clubs, etc.) the cartridge must be removed and thoroughly drained of all water to prevent freeze damage. The check stops should also be removed to drain all water from the supply lines and valve body (see “Cartridge Removal & Replacement”). This will prohibit damage caused by freezing water.

## Trouble Shooting Chart

### For Tempered Water Recirculated Systems

Problem	Cause	Solution
Thermometer in TempControl outlet rises to temperature of the heater at start of no draw (i.e. sink or showers not running, etc.).	No circulation of tempered water because return line is piped to the hot water source only.	Repipe system to diagram 2 or 3 (pg. 9) which allows the discharge of the pump (tempered water return) to go back to the hot water source and the cold inlet of the TempControl.
Hot water temperature at sink or shower is below set point of TempControl.	Sufficient circulation of tempered water is not reaching the hot water source.	Repipe system to diagram 2 or 3 (pg. 9) which allows the discharge of the pump (tempered water return) to go back to the hot water source and the cold inlet of the TempControl.
Temperature rises.	Not piped to Diagrams 2 or 3. Ball valve too far open.	Check valve must be installed on cold supply to controller or adjust ball valve (see diagram 2 or 3 on page 9).
Cannot elevate or decrease tempered water by turning adjustment bolt.	Piston stuck with foreign matter.	Remove cartridge and soak in household vinegar for an hour. If piston does not free after soaking replace cartridge.
Temperature drops during draw (sink, shower running, etc.).	Valve was set in no draw mode.	Run showers and sinks and then set valve.

### For Tempered Water Non-Recirculated Systems

Problem	Cause	Solution
Bypass, cold to hot or hot to cold.	Checks not properly seating.	Clean fouled checks, or if damaged, replace damaged parts.

## 7-102, 7-200, 7-400, 7-500, 7-700, 7-900, 7-1000 TempControl Serie 7

### Manual de funcionamiento y mantenimiento




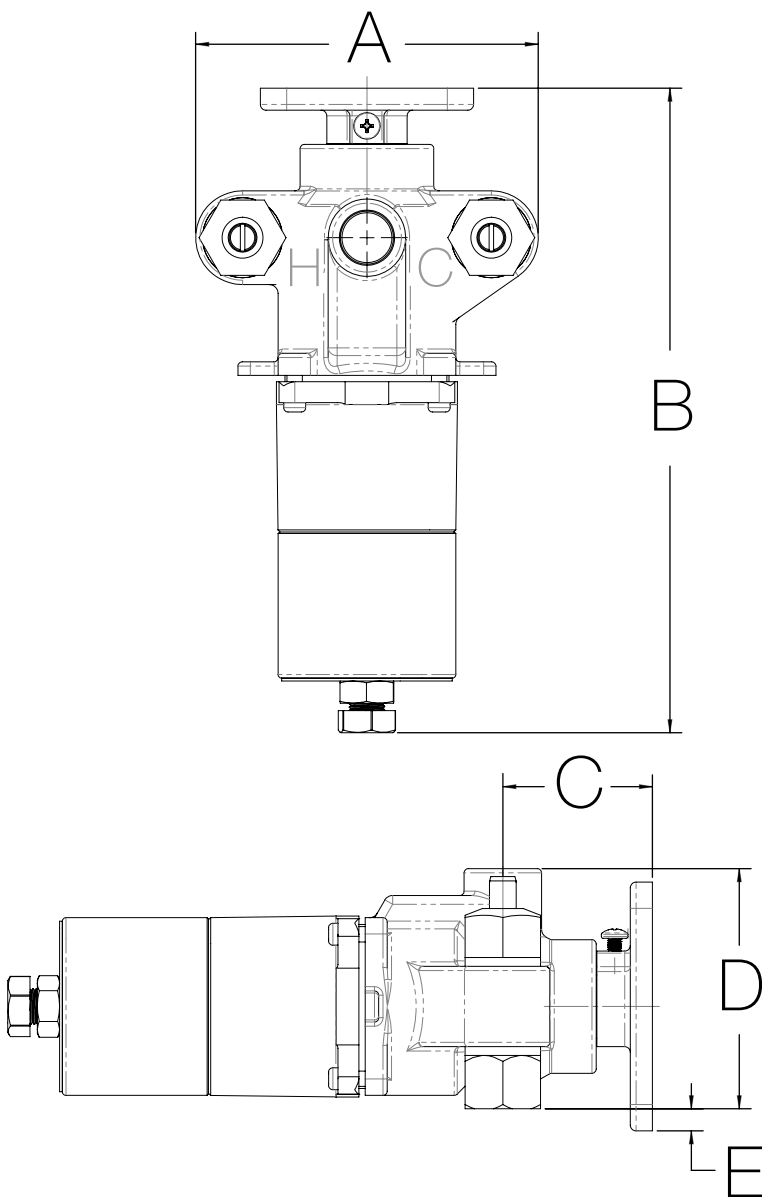
Coordinación de números de modelo		Especificación
<input type="checkbox"/> <b>HTA-100</b>	<i>Sistema de alarma sonora/visual de alta temperatura</i>	<p>Válvula mezcladora termostática TempControl fabricada con componentes metálicos libres de plomo**. Los modelos 102-700 ofrecen válvulas antirretorno integrales con capacidad de mantenimiento. Los modelos 900 y 1000 cuentan con válvulas antirretorno extraíble con celdas de unión (véase la tabla 1 para informarse sobre las tasas de flujo).</p> <p><b>Rango de control de temperatura:</b> 70 °F - 150 °F (21,1 °C - 65,6 °C)</p> <p><b>Temperatura de enfoque:</b> 5 °F (2,8 °C)</p> <p>**De acuerdo con el proyecto de ley del Senado de los EE. UU. S.3874, el término "libre de plomo" se define de la siguiente manera: "no más que un promedio ponderado de 0,25 por ciento de plomo cuando se utiliza con respecto a las superficies húmedas de tuberías, accesorios de tubería, accesorios de fontanería y artefactos"</p>
<input type="checkbox"/> <b>T-425-( )</b>	<i>Termómetro de aguja bimetálico de 3"</i>	
<input type="checkbox"/> <b>BV-( )</b>	<i>Válvulas de cierre para control de volumen</i>	
<input type="checkbox"/> <b>SV-( )</b>	<i>Válvula de solenoide</i>	
<input type="checkbox"/> <b>TF-( )</b>	<i>Accesorios en T</i>	
<input type="checkbox"/> <b>WHA-1</b>	<i>Silenciador de martillo hidráulico</i>	
<p><b>Nota:</b> Introduzca el número de modelo adecuado entre paréntesis.</p>		
Modificaciones (Componentes certificados por separado)		<p><b>Cumplimiento</b></p> <p>-ASME A112.18.1/CSA B125.1, CSA B125.3</p> <p>-ASSE 1017</p> <p>-NSF/ANSI 61.9, NSF/ANSI 372</p> 
<input type="checkbox"/> <b>-NI</b>	<i>Acabado de níquel bruto</i>	
<input type="checkbox"/> <b>-P</b>	<i>Cromo pulido destacan acabados</i>	
<input type="checkbox"/> <b>-W</b>	<i>Soporte de montaje</i>	
<p><b>Nota:</b> Anexe el sufijo apropiado al número del modelo.</p>		
Garantía		
<p><b>5 años</b> - para instalaciones comerciales. Consulte <a href="http://www.symmons.com/warranty">www.symmons.com/warranty</a> para obtener información completa sobre la garantía.</p>		

Tabla 1: Tasa de flujo - gpm (L/min)

Modelo de válvula	Tasa de flujo mín.*	Tasa de flujo mín. (per ASSE 1017)	Diferencial de presión - psi (kPa)					
			5 psi (34 kPa)	10 psi (69 kPa)	20 psi (138 kPa)	25 psi (172 kPa)	30 psi (207 kPa)	45 psi (310 kPa)
7-102	0.5 gpm (1,9 L/min)	0.5 gpm (1,9 L/min)	1 gpm (4 L/min)	3 gpm (11 L/min)	6 gpm (23 L/min)	7 gpm (27 L/min)	8 gpm (30 L/min)	11 gpm (42 L/min)
7-200	0.5 gpm (1,9 L/min)	5 gpm (19 L/min)	7 gpm (27 L/min)	12 gpm (46 L/min)	18 gpm (68 L/min)	21 gpm (80 L/min)	23 gpm (87 L/min)	27 gpm (102 L/min)
7-400	0.5 gpm (1,9 L/min)	9 gpm (34 L/min)	18 gpm (68 L/min)	27 gpm (102 L/min)	37 gpm (140 L/min)	41 gpm (155 L/min)	44 gpm (167 L/min)	53 gpm (201 L/min)
7-500	0.5 gpm (1,9 L/min)	13 gpm (49 L/min)	22 gpm (83 L/min)	38 gpm (144 L/min)	50 gpm (190 L/min)	55 gpm (209 L/min)	59 gpm (224 L/min)	70 gpm (265 L/min)
7-700	0.5 gpm (1,9 L/min)	13 gpm (49 L/min)	25 gpm (95 L/min)	43 gpm (163 L/min)	57 gpm (216 L/min)	62 gpm (235 L/min)	66 gpm (250 L/min)	77 gpm (292 L/min)
7-900	0.5 gpm (1,9 L/min)	13 gpm (49 L/min)	30 gpm (114 L/min)	55 gpm (209 L/min)	76 gpm (288 L/min)	84 gpm (318 L/min)	89 gpm (337 L/min)	104 gpm (394 L/min)
7-1000	0.5 gpm (1,9 L/min)	13 gpm (49 L/min)	38 gpm (144 L/min)	67 gpm (254 L/min)	100 gpm (379 L/min)	111 gpm (421 L/min)	120 gpm (455 L/min)	140 gpm (531 L/min)

\*Tasa de flujo mínima cuando la válvula está instalada en o cerca de la fuente de agua caliente con agua templada recirculada y una bomba de circulación de funcionamiento continuo.

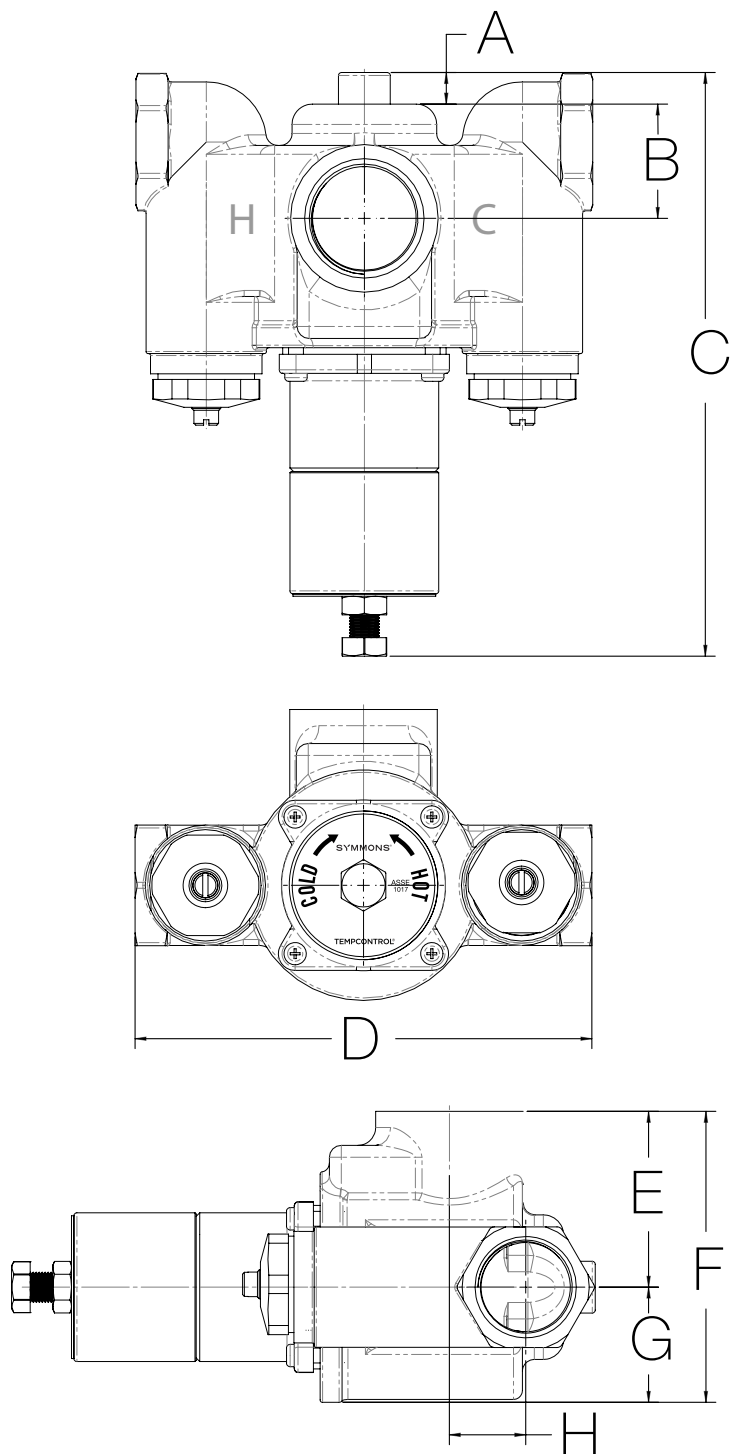
## Dimensiones (7-102)



Tamaños de la válvula TempControl		
N.º de modelo	Entrada	Salida
7-102	1/2"	1/2"
Medidas		
Dimensión	7-102	
A	4 13/16", 122 mm	
B	9 1/4", 235 mm	
C	2 1/8", 53 mm	
D	3 3/8", 86 mm	
E	5/16", 8 mm	

**Nota:** Las dimensiones pueden cambiar sin previo aviso.

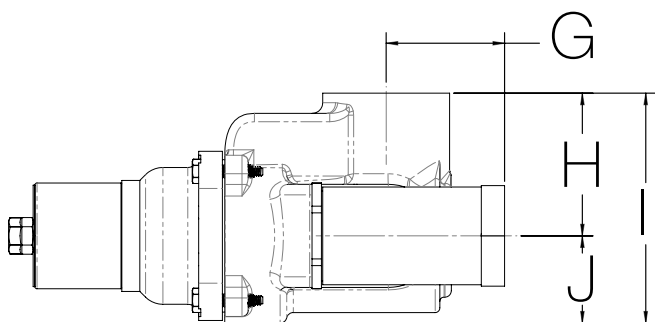
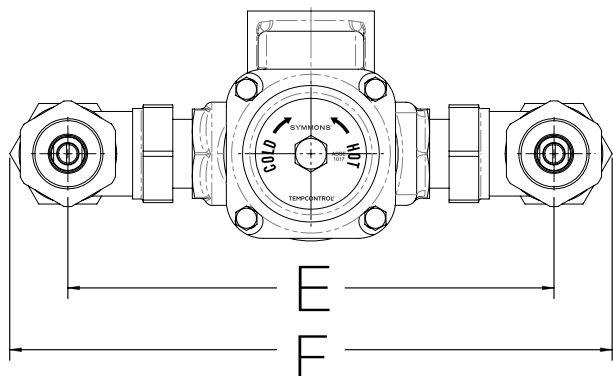
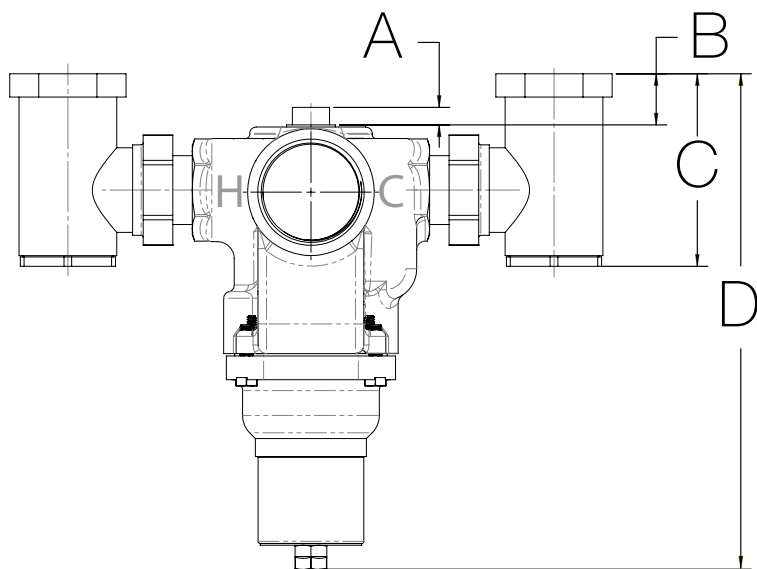
## Dimensiones (7-200, 7-400, 7-500, 7-700)



Tamaños de la válvula TempControl		
N.º de modelo	Entrada	Salida
7-200	3/4"	3/4"
7-400	3/4"	1"
7-500	1"	1 1/4"
7-700	1 1/4"	1 1/2"
Medidas		
Dimensión	7-200	7-400
A	1/2", 13 mm	1/2", 13 mm
B	1 7/8", 46 mm	1 1/2", 39 mm
C	8 15/16", 226 mm	9 3/4", 251 mm
D	5 15/16", 150 mm	6 1/2", 165 mm
E	2", 51 mm	2 5/8", 67 mm
F	3 5/16", 84 mm	4 1/8", 105 mm
G	1 5/16", 33 mm	1 1/2", 38 mm
H	11/16", 17 mm	3/4", 19 mm
Dimensión	7-500	7-700
A	1/2", 13 mm	1/2", 13 mm
B	1 15/16", 49 mm	1 15/16", 49 mm
C	9 5/8", 248 mm	9 13/16", 243 mm
D	7 11/16", 195 mm	7 11/16", 195 mm
E	2 15/16", 75 mm	2 15/16", 75 mm
F	4 7/8", 124 mm	4 7/8", 124 mm
G	1 15/16", 49 mm	1 15/16", 49 mm
H	1 5/16", 33 mm	1 5/16", 33 mm

**Nota:** Las dimensiones pueden cambiar sin previo aviso.

## Dimensiones (7-900, 7-1000)

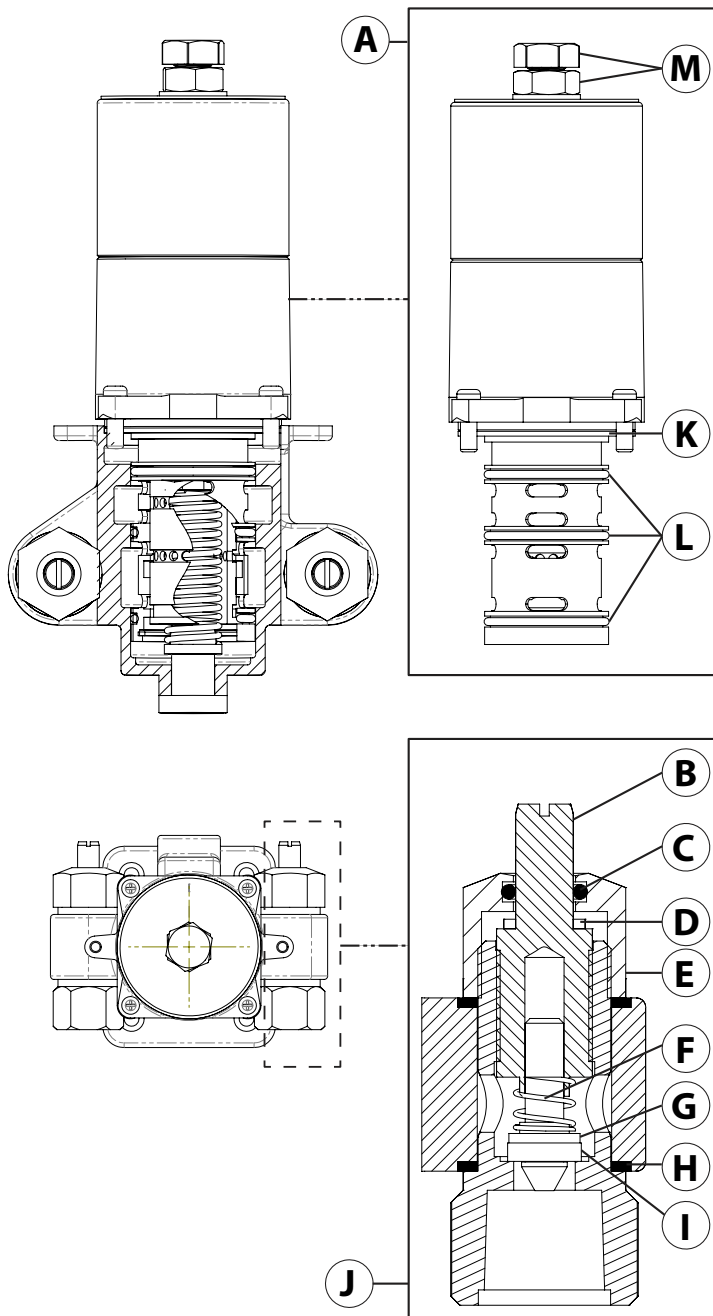


Tamaños de la válvula TempControl		
N.º de modelo	Entrada	Salida
7-900	1 1/2"	1 1/2"
7-1000	1 1/2"	2"
Medidas		
Dimensión	7-900	7-1000
A	7/16", 11 mm	7/16", 11 mm
B	1 3/16", 31 mm	1 3/16", 31 mm
C	4 9/16", 116 mm	4 9/16", 116 mm
D	11 1/6", 280 mm	11 3/8", 289 mm
E	11 1/2", 296 mm	11 1/2", 296 mm
F	14 1/4", 365 mm	14 1/4", 365 mm
G	2 13/16", 71 mm	2 13/16", 71 mm
H	3 3/8", 86 mm	3 3/8", 86 mm
I	5 7/16", 138 mm	5 7/16", 138 mm
J	2 1/16", 52 mm	2 1/16", 52 mm

**Nota:** Las dimensiones pueden cambiar sin previo aviso.

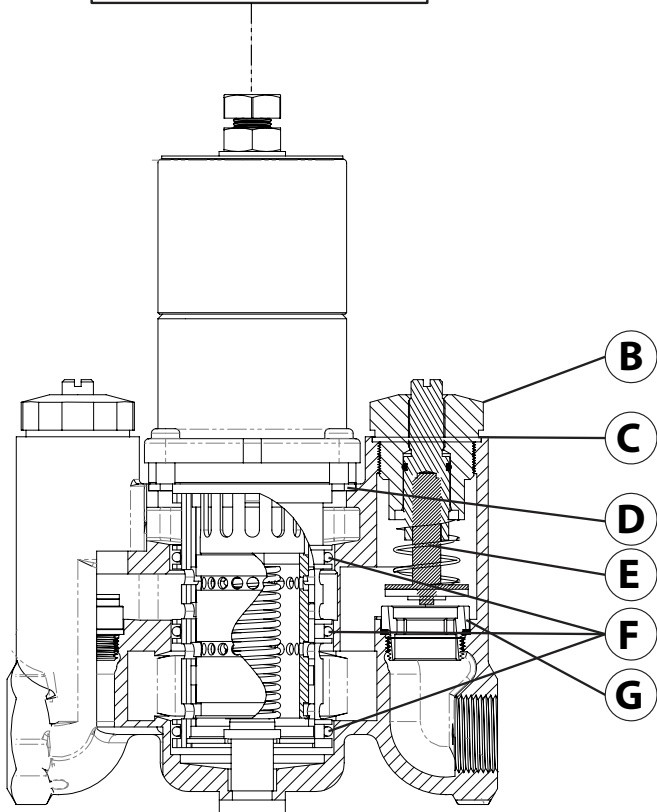
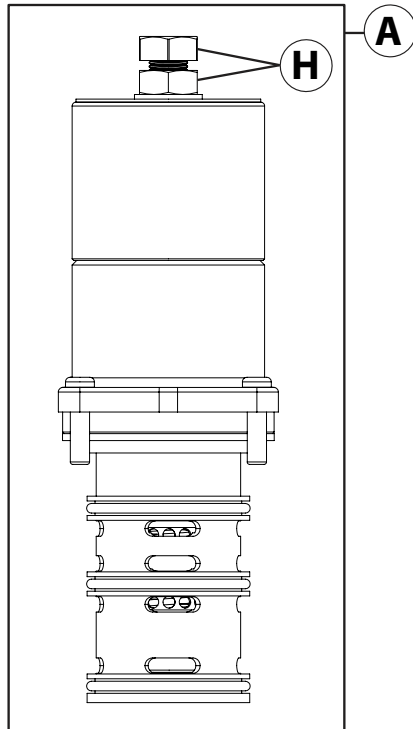


## Desglose de partes (7-102)



Repuestos para el modelo 7-102		
Artículo	Descripción	N.º de parte
A	Reemplazo del cartucho de la válvula	7-102NW
B	Eje de la válvula antirretorno	CSE-35
C	Anillo de goma	CE-29
D	Arandela	CSE-31
E	Tapa de la válvula antirretorno	CSE-26
F	Resorte antirretorno	CSE-34
G	Ensamblaje antirretorno	CSE-33
H	Junta de estanqueidad (x2)	CE-30
I	Arandela de la válvula antirretorno	CSE-32
J	Cuerpo de la válvula antirretorno con asiento de retención	CSE-25
K	Junta de estanqueidad de la carcasa	TT-11-200
L	Anillos de goma de manguito (x3)	TT-15-200
M	Temperatura Control tuerca y perno	RO-028

## Desglose de partes (7-200, 7-400, 7-500, 7-700)

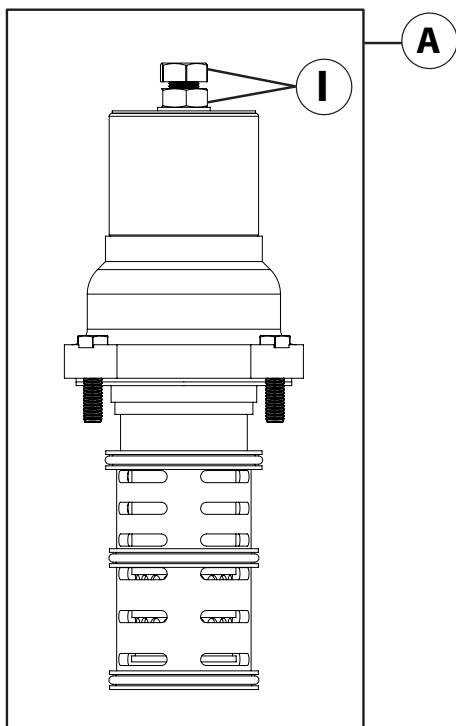


Repuestos para modelos 7-200/400/500/700		
Artículo	Descripción	N.º de parte
A	Reemplazo del cartucho de la válvula	7-( )NW
B	Repuesto del ensamble de retención completo	TT-50AN-( )
C	Junta de estanqueidad de la tapa	TT-21-( )
D	Junta de estanqueidad de la carcasa	<b>7-200</b> TT-11-200 <b>7-400/500/700</b> TT-11-400
E	Eje y resorte antirretorno	TT-181-( )
F	Anillos de goma de manguito (x3)	<b>7-200</b> TT-15-200 <b>7-400/500/700</b> TT-15-400
G	Asiento antirretorno	TT-26-( )
H	Temperatura Control tuerca y perno	RO-028

### Notas:

- 1) Introduzca el número de modelo adecuado entre paréntesis.
- 2) El Artículo B contiene la junta de estanqueidad de la tapa, el resorte antirretorno, ensamble de bonete y ensamble antirretorno.

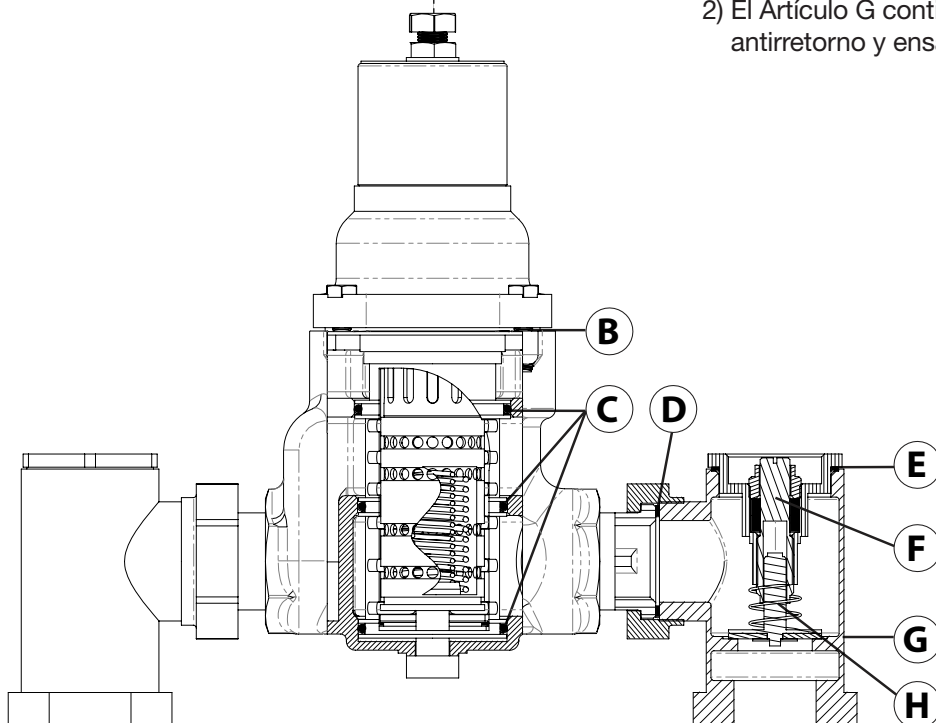
## Desglose de partes (7-900, 7-1000)



Repuestos para los modelos 7-900/1000		
Artículo	Descripción	N.º de parte
A	Reemplazo del cartucho de la válvula	7-( )NW
B	Junta de estanqueidad de la carcasa	TT-11-1000
C	Anillos de goma de manguito (x3)	TT-15-1000
D	Junta de estanqueidad entre retenciones	TT-32A
E	Junta de estanqueidad de la tapa	TT-21-( )
F	Eje de retención	TT-22-( )
G	Repuesto del ensamblaje de cuerpo de retención completo	TT-27-( )
H	Eje y resorte antirretorno	TT-200-( )
I	Temperatura Control tuerca y perno	RO-028

### Notas:

- 1) Introduzca el número de modelo adecuado entre paréntesis.
- 2) El Artículo G contiene cuerpo antirretorno, tapa, resorte antirretorno y ensamblaje antirretorno.



## Instalación



### PRECAUCIÓN



Si no se siguen estas instrucciones de instalación, operación y servicio, la funcionalidad y la vida útil de TempControl se deteriorarán considerablemente.

Todas las instalaciones de TempControl deben tener un termómetro y válvula de cierre en la salida de agua templada (como se muestra en los diagramas) para el servicio adecuado de resolución de problemas.

### Herramientas necesarias para la instalación

Llave regulable	
Destornillador plano	
Destornillador Phillips	
Llave de tubo	
Gafas de seguridad	

## Asistencia técnica y dimensionamiento

Para obtener ayuda y soporte técnico en el dimensionamiento y selección de la válvula o sistema TempControl adecuado, consulte el software de dimensionamiento informático TempSize™, a su representante local o al departamento de Atención al cliente de Symmons al 1-800-SYMMONS.

## Ubicación de TempControl

Un principio fundamental de las instalaciones de controlador de agua termostático es un reconocimiento de que las válvulas mezcladoras termostáticas no funcionarán correctamente cuando los suministros de agua caliente y fría que sirven a estas válvulas se someten a perturbaciones de presión cuando cuentan con tasas de flujo menores a su capacidad total. En una sala de máquinas diseñada correctamente, las presiones de suministro son estables y no están sujetas a perturbaciones de presión. Como resultado, cuando se indica la ubicación de una válvula TempControl en el cuarto de máquinas, no se recomienda un sistema Hi-Low.

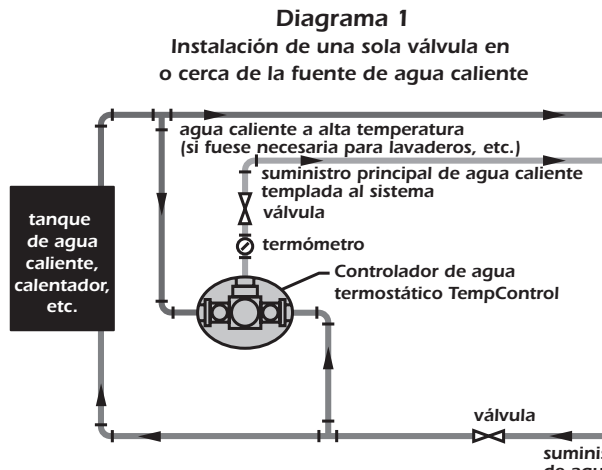
Cuando la ubicación de la válvula se indica fuera de la sala de máquinas, se supone que existe una posibilidad de fluctuaciones de presión en las líneas de suministro de agua caliente y fría que prestan servicio a una válvula TempControl y se recomienda automáticamente un sistema Hi-Low.

**Nota:** Si el sistema está diseñado de manera que la válvula TempControl no está sometida a una demanda alta-baja de flujo, a pesar de que se encuentre ubicada fuera de la sala de máquinas, una sola válvula TempControl funcionará correctamente.

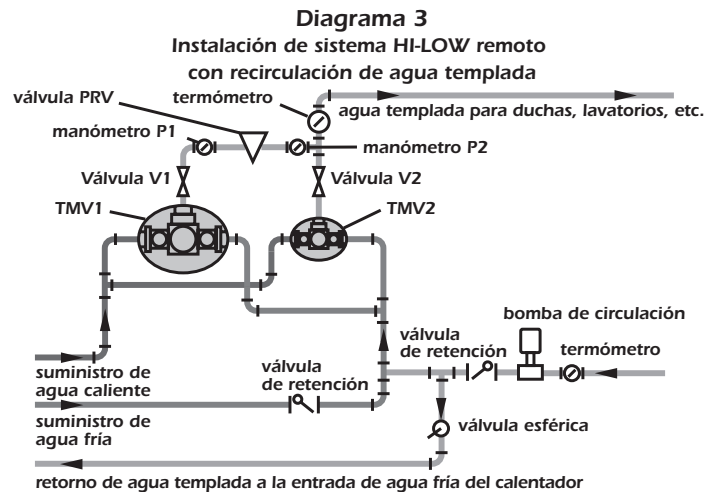
## Consejos para la instalación

Todas las tuberías deben limpiarse a fondo antes de instalar TempControl. La TempControl se puede instalar en cualquier posición, siempre y cuando el agua caliente esté conectado al puerto "H" y el agua fría esté conectada al puerto "C". Cierre las válvulas antirretorno en TempControl, extraiga el cartucho, (ver página 11 para consultar la sección Extracción y reemplazo de cartucho), active el suministro de agua y abra las válvulas antirretorno completamente para limpiar a fondo las tuberías antes de poner la válvula en servicio. TempControl cuenta con configuración de fábrica para entregar aproximadamente 100° F (38 °C).

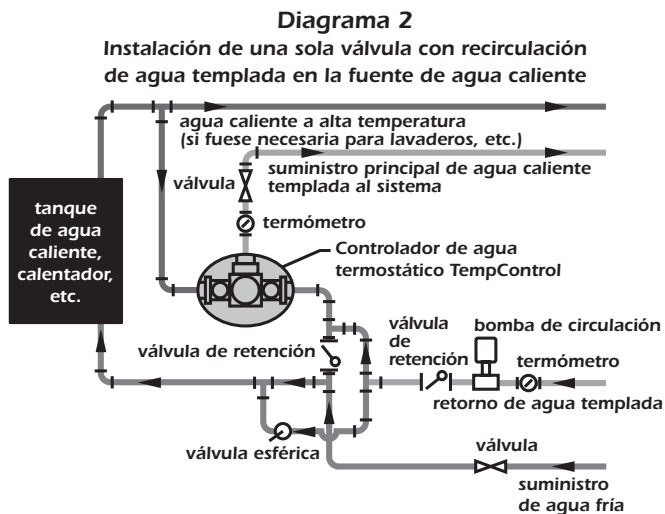
Diagramas de tuberías



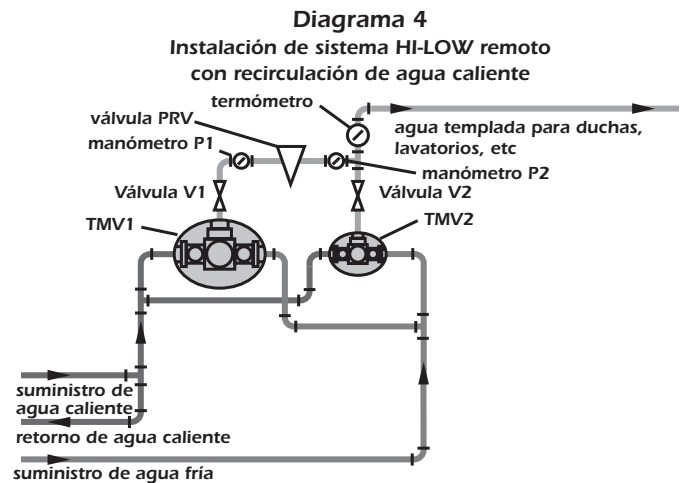
**Diagrama 1** INSTALACIÓN EN O CERCA DE LA FUENTE DE AGUA CALIENTE: TempControl debe colocarse debajo del tanque de agua caliente o calentador, muy por debajo de la línea de agua de alta temperatura. Este procedimiento crea una trampa de calor y protege contra la migración de agua caliente a través del controlador.



**Diagrama 3** INSTALACIÓN DE HI-LOW REMOTO CON RECIRCULACION DE AGUA TEMPLADA O RETORNO DE AGUA CALIENTE: El sistema Hi-Low de TempControl debe tener la línea de retorno conectada exactamente como se muestra (Ver las notas del Diagrama 2).



**Diagrama 2** INSTALACIÓN CON RECIRCULACION DE AGUA TEMPLADA EN LA FUENTE DE AGUA CALIENTE: TempControl debe tener la línea de retorno conectada exactamente como se muestra. Este procedimiento permite que el controlador mantenga la temperatura de consigna durante períodos sin drenaje permitiendo ya sea (a) el mayor volumen de agua de retorno para el suministro de la entrada de agua fría de la TempControl y (b) que el volumen menor de agua de retorno se recaliente para el suministro de la entrada de agua caliente de la TempControl. Cuando no hay drenaje de agua en el sistema de tuberías, no se puede añadir agua al sistema, por lo tanto, los suministros de agua “fría” y “caliente” a la TempControl deben provenir desde adentro del sistema como se describe a continuación, utilizando la válvula esférica para un ajuste fino de la operación como se indica en (a) y (b).



**Diagrama 4** INSTALACIÓN DE HI-LOW REMOTO CON RECIRCULACION DE AGUA CALIENTE ÚNICAMENTE: Las tuberías del sistema Hi-Low de TempControl debe estar conectadas como se muestra.

### Funcionamiento y ajuste

Aplique un ciclo de válvula de caliente (sinistrórsum) completo y luego frío (dextrorso) 3 veces permitiendo que la válvula alcance la temperatura completa. Con aproximadamente el 80% del agua fluyendo de la intención del diseño, gire el perno de regulación para obtener el ajuste deseado y bloquee la tuerca en su lugar. Los controladores de agua termostáticos deben tener un tamaño acorde a la capacidad de flujo requerida de la válvula, NO el tamaño de la tubería suministrada a la válvula. Para obtener ayuda y soporte técnico en el dimensionamiento y selección del controlador de agua termostático TEMPCONTROL adecuado, consulte el software de dimensionamiento informático TEMPSIZE™ de Symmons, a su representante local o al departamento de Atención al cliente de Symmons al 1-800-SYMMONS.



**PRECAUCIÓN:** Girar el perno de regulación totalmente a la izquierda extraerá el perno de la TempControl. Si esto ocurre, simplemente reemplace perno.

En el caso de sistemas conectados mediante tuberías al **Diagrama 2:**

1. Con la válvula esférica cerrada, regule la TempControl a la temperatura deseada con agua fluyendo desde la línea de agua templada.
2. Después de obtener la temperatura deseada, detenga el flujo de agua.
3. Abra la válvula esférica completamente de modo que una pequeña cantidad de agua retorne a la fuente de agua caliente. Esto permite que la TempControl mantenga la temperatura de consigna durante períodos sin drenaje en el sistema.
4. Durante los períodos sin drenaje, observe el termómetro en la descarga de la TempControl. Si la temperatura aumenta por encima de la configuración en el paso 1, cierre la válvula esférica ligeramente o si la temperatura disminuye, ábrala levemente.

En el caso de sistemas conectados mediante tuberías al **Diagrama 3:**

1. Apague la bomba de recirculación y cierre la válvula esférica.
2. Cierre (V1).
3. Abra 5 duchas o equivalente a la posición de calor máximo.
4. Coloque la válvula TempControl pequeña (TMV2) a la posición de frío máximo y anote la temperatura en el termómetro.
5. Cierre la válvula (V2) y abra la válvula (V1). Regule la válvula TempControl grande (TMV1) a la temperatura deseada del sistema (asegúrese que el tornillo de ajuste en la válvula PRV se encuentra en la posición hacia la derecha por completo).
6. Apague 2 duchas o el equivalente (dejando 3 encendidas) y la válvula abierta (V2).
7. Gire el tornillo de ajuste del PRV hacia la izquierda hasta que la temperatura (T) sea igual a la obtenida en el paso 4.

8. Ajuste la válvula TempControl (TMV2) a la temperatura deseada del sistema y el sistema estará en modo de funcionamiento.
9. Detenga el flujo de agua, después de obtener la temperatura deseada y encienda la bomba de recirculación.
10. Abra la válvula esférica completamente de modo que una pequeña cantidad de agua retorne a la fuente de agua caliente. Esto permite que la TempControl mantenga la temperatura de consigna durante períodos sin drenaje en el sistema.
11. Durante los períodos sin drenaje, observe el termómetro en la descarga de la TempControl. Si la temperatura aumenta por encima de la configuración en el paso 8, cierre la válvula esférica ligeramente o ábrala si la temperatura disminuye.

En el caso de sistemas conectados mediante tuberías al **Diagrama 4:**

Siga los pasos 2 a 9 para los sistemas conectados mediante tuberías al **Diagrama 3**. Ignore la referencia a la bomba de recirculación en el paso 9 (no aplicable a esta instalación).

### Mantenimiento

La unidad de cartucho contiene todo el mecanismo de control de la válvula. En el caso de servicio sin interrupción, tenga un cartucho de repuesto a mano.

El mecanismo de control de la válvula TempControl debe mantenerse limpio y libre de depósitos y cualquier acumulación de material extraño que estará presente en muchos sistemas de agua. Inspeccione dentro de los 30 días de la instalación o el funcionamiento inicial. Si la inspección determina que el sistema de agua causa depósitos y acumulación mensual de materiales extraños, entonces la válvula se debe limpiar mensualmente de la siguiente manera: Quite el cartucho (ver la página 11 para consultar la sección de Extracción y reemplazo del cartucho) y remoje en cualquier agente de-encalado aceptable (o vinagre de cocina común). Lave los depósitos, asegúrese de que el pistón se mueve libremente en el manguito y reemplace el cartucho. Limpie con mayor frecuencia si el sistema así lo exige (no extraiga completamente el pistón del cartucho).

Las válvulas de retención en la TempControl son muy importantes factores que influyen en su correcto funcionamiento. Si se alojan virutas, suciedad u otros materiales extraños sobre los asientos y evitan que las válvulas de retención se asienten totalmente, puede ser una derivación de agua en la línea opuesta, y la TempControl no funcionará a su temperatura de suministro establecida. Una derivación se puede detectar mediante el tacto sobre la línea de suministro, mientras que la TempControl no está funcionando. Si, por ejemplo, la línea fría se siente caliente, la válvula de retención del agua fría no se está asentando correctamente. Se debe extraer y la válvula de retención y su asiento se deben limpiarse.

### Extracción y reemplazo del cartucho

Antes de extraer un cartucho usado para su limpieza, tenga una junta de estanqueidad de la carcasa y anillos de goma del manguito nuevos a la mano.

Cierre los suministros en las válvulas antirretorno girándolas hacia la derecha.

Retire los 4 pernos de la brida del cartucho.

Con 2 destornilladores de puntas grandes, levante uniformemente dos lados opuestos de la brida de pernos hasta que se libere el cartucho para extraerlo a mano.

Tire del cartucho con una acción de torsión y giro, manteniendo siempre cartucho en la línea central.

Deje un resorte de compensación en el lugar en la parte central inferior del cuerpo de la válvula.

Limpie el cartucho como se describe en las instrucciones de mantenimiento.

Reemplace los anillos de goma del manguito y engráselos.

Con una acción de torsión y empuje, vuelva a colocar el cartucho en el cuerpo de la válvula hasta que la brida de pernos se encuentre firmemente sobre la junta de la carcasa.

Mientras mantiene el cartucho en su lugar, vuelva a colocar los pernos y apriete. No intente colocar el cartucho en su posición con pernos, ya que esto puede dañar el mecanismo de control de la válvula.

Abra las válvulas antirretorno y regule la temperatura.

### Uso estacional

Cuando una TempControl se utiliza estacionalmente (escuelas, campamentos, campos de golf, etc.), el cartucho se debe extraer y drenar bien de cualquier volumen de agua para evitar daños por congelación. Las válvulas antirretorno también se deben extraer para drenar toda el agua de las tuberías de suministro y el cuerpo de la válvula (ver la sección "Extracción y reemplazo del cartucho"). Así, se evitará el daño causado por la congelación del agua.

## Tabla de solución de problemas

### Para sistemas de recirculación de agua templada

Problema	Causa	Solución
El termómetro en la salida de TempControl se eleva a la temperatura del calentador al comienzo de sin drenaje (es decir, ni el lavabo ni las duchas están funcionando, etc.).	No hay circulación de agua templada porque la línea de retorno se conecta únicamente a la fuente de agua caliente.	Vuelva a conectar el sistema mediante tuberías al diagrama 2 o 3 (pág. 9), lo que permite que la descarga de la bomba (retorno del agua templada) vuelva a la fuente de agua caliente y la entrada de agua fría de la TempControl.
La temperatura del agua caliente en el lavabo o la ducha está por debajo del punto de TempControl establecido.	La circulación suficiente de agua templada no llega a la fuente de agua caliente.	Vuelva a conectar el sistema mediante tuberías al diagrama 2 o 3 (pág. 9), lo que permite que la descarga de la bomba (retorno del agua templada) vuelva a la fuente de agua caliente y la entrada de agua fría de la TempControl.
La temperatura se eleva.	No está conectado mediante tuberías al diagrama 2 o 3. La válvula esférica está demasiado abierta.	La válvula de retención debe instalarse en el suministro de agua fría al controlador o regular la válvula esférica (ver el diagrama 2 o 3 en la página 9).
No se puede elevar o disminuir el agua templada girando el perno de regulación.	Pistón atascado con material extraño.	Extraiga el cartucho y remoje en vinagre de cocina durante una hora. Si el pistón no se libera después de la inmersión, reemplace el cartucho.
La temperatura baja durante el drenaje (lavabo, ducha corriendo, etc.)	La válvula se configuró en modo sin drenaje.	Haga funcionar duchas y lavabos, y luego configure la válvula.

### Para sistemas sin recirculación de agua templada

Problema	Causa	Solución
Derivación, fría a caliente o caliente a fría.	Las válvulas de retención no se asientan correctamente.	Limpie las válvulas de retención sucias o, si están averiadas, reemplace las piezas dañadas.





## 7-102, 7-200, 7-400, 7-500, 7-700, 7-900, 7-1000 TempControl Série 7

### Manuel d'opération et d'entretien


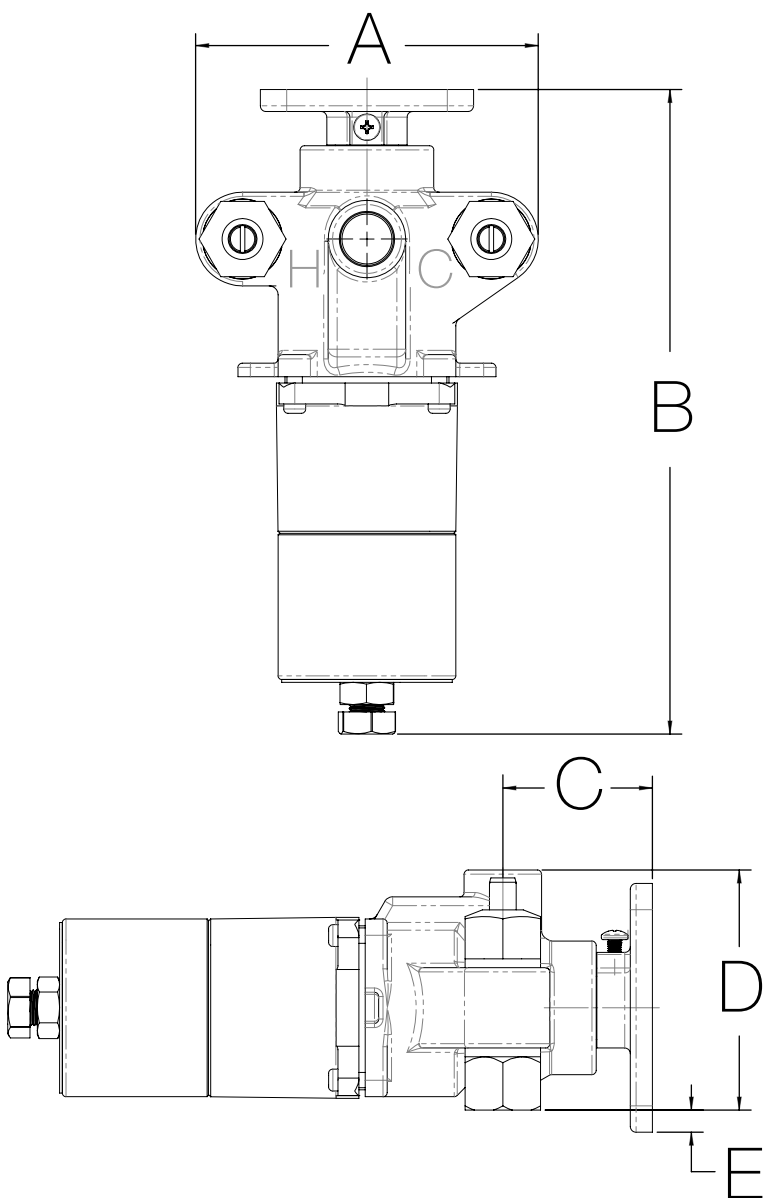
Numéros de modèle		Spécification
<input type="checkbox"/> HTA-100	Système d'alarme audio/vidéo à température élevée	<p>Vanne mixte en thermoplastique TempControl faite à partir de composants en métal sans plomb. Modèles 102-700 avec arrêts de retenue intégraux utilisables. Les modèles 900 et 1000 sont dotés de dispositifs d'arrêt anti-retour amovibles avec des</p> <p><b>Portée du contrôle de la température :</b> 70 °F - 150 °F (21,1 °C - 65,6 °C)</p> <p><b>Température d'approche : 2,8 °C (5 °F)</b></p> <p>**Selon la loi du Sénat américain S.3874, le terme « sans plomb » se définit comme suit : « au maximum une moyenne 0,25 pour cent de plomb lorsqu'utilisé avec des surfaces de tuyaux, raccords de tuyau, raccords de plomberie et appareils humides »</p>
<input type="checkbox"/> T-425-( )	Thermomètre à numérotation bimétallique de 3 po	
<input type="checkbox"/> BV-( )	Vannes d'arrêt du contrôle du volume	
<input type="checkbox"/> SV-( )	Vanne solénoïde	
<input type="checkbox"/> TF-( )	Raccords en T	
<input type="checkbox"/> WHA-1	Dispositifs antibélier	
<p><b>Remarque :</b> Insérez le numéro de modèle approprié entre parenthèse.</p>		
Modifications (Composants certifiés séparément)		Conformité
<input type="checkbox"/> -NI	Finition nickel	<p>-ASME A112.18.1/CSA B125.1, CSA B125.3</p> <p>-ASSE 1017</p> <p>-NSF/ANSI 61.9, NSF/ANSI 372</p> 
<input type="checkbox"/> -P	Chrome poli souligner finition	
<input type="checkbox"/> -W	Support de montage mural	
		<p><b>Garantie</b></p> <p><b>5 ans</b> - pour les installations commerciales. Se référer au <a href="http://www.symmons.com/warranty">www.symmons.com/warranty</a> pour les renseignements complets relatifs à la garantie.</p>
<p><b>Remarque :</b> Joindre le suffixe approprié au numéro de modèle.</p>		

Tableau 1 : Débit - gpm (L/min)

Modèle de la vanne	Débit min.*	Débit min. (per ASSE 1017)	Différentiel de pression - psi (kPa)					
			5 psi (34 kPa)	10 psi (69 kPa)	20 psi (138 kPa)	25 psi (172 kPa)	30 psi (207 kPa)	45 psi (310 kPa)
7-102	0,5 gpm (1,9 L/min)	0,5 gpm (1,9 L/min)	1 gpm (4 L/min)	3 gpm (11 L/min)	6 gpm (23 L/min)	7 gpm (27 L/min)	8 gpm (30 L/min)	11 gpm (42 L/min)
7-200	0,5 gpm (1,9 L/min)	5 gpm (19 L/min)	7 gpm (27 L/min)	12 gpm (46 L/min)	18 gpm (68 L/min)	21 gpm (80 L/min)	23 gpm (87 L/min)	27 gpm (102 L/min)
7-400	0,5 gpm (1,9 L/min)	9 gpm (34 L/min)	18 gpm (68 L/min)	27 gpm (102 L/min)	37 gpm (140 L/min)	41 gpm (155 L/min)	44 gpm (167 L/min)	53 gpm (201 L/min)
7-500	0,5 gpm (1,9 L/min)	13 gpm (49 L/min)	22 gpm (83 L/min)	38 gpm (144 L/min)	50 gpm (190 L/min)	55 gpm (209 L/min)	59 gpm (224 L/min)	70 gpm (265 L/min)
7-700	0,5 gpm (1,9 L/min)	13 gpm (49 L/min)	25 gpm (95 L/min)	43 gpm (163 L/min)	57 gpm (216 L/min)	62 gpm (235 L/min)	66 gpm (250 L/min)	77 gpm (292 L/min)
7-900	0,5 gpm (1,9 L/min)	13 gpm (49 L/min)	30 gpm (114 L/min)	55 gpm (209 L/min)	76 gpm (288 L/min)	84 gpm (318 L/min)	89 gpm (337 L/min)	104 gpm (394 L/min)
7-1000	0,5 gpm (1,9 L/min)	13 gpm (49 L/min)	38 gpm (144 L/min)	67 gpm (254 L/min)	100 gpm (379 L/min)	111 gpm (421 L/min)	120 gpm (455 L/min)	140 gpm (531 L/min)

\*Débit minimal lorsque la vanne est installée à la source d'eau chaude ou à proximité de celle-ci avec de l'eau modérée recirculé et faisant fonctionner en continu la pompe de circulation.

## Dimensions (7-102)

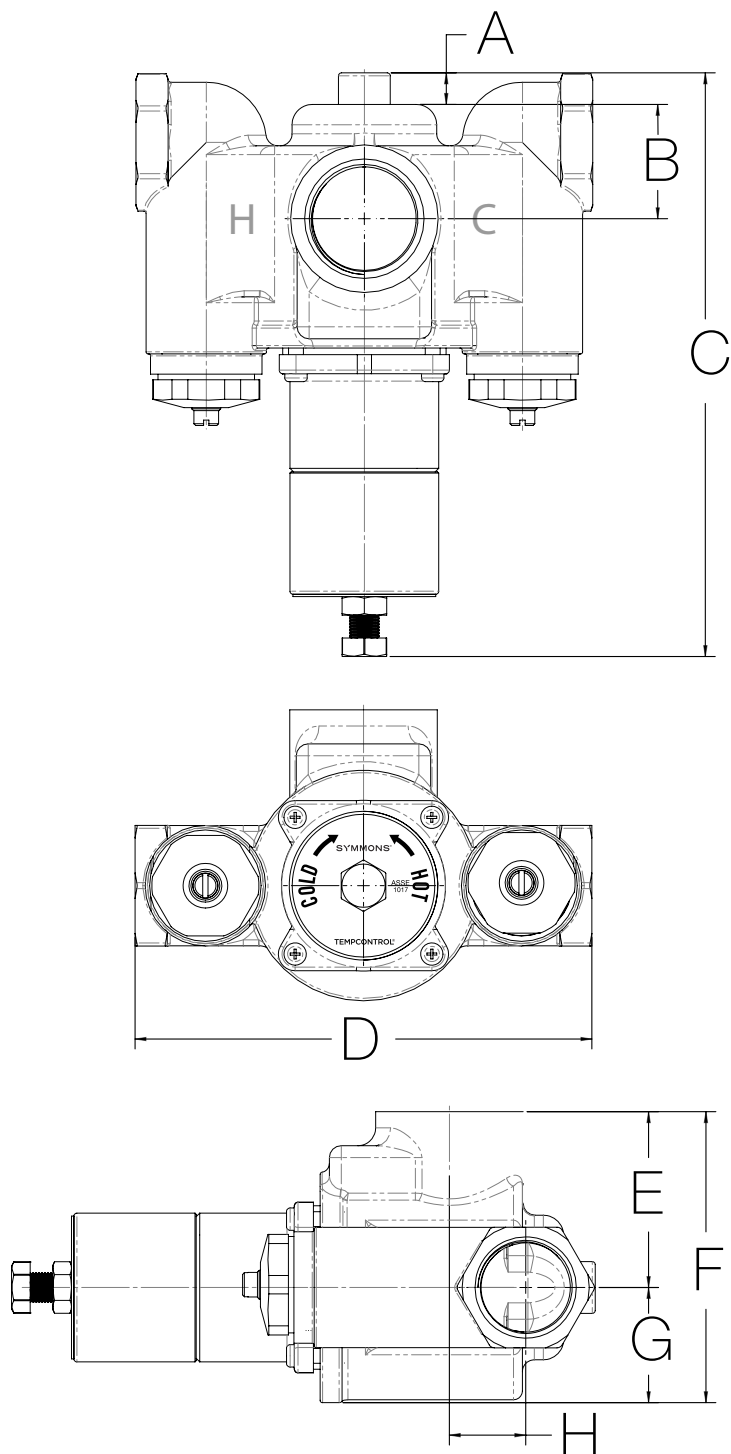


Dimensions des vannes TempControl		
N° de modèle	Entrée	Sortie
7-102	1/2 po	1/2 po

Mesures	
Dimension	7-102
A	4 13/16 po, 122 mm
B	9 1/4 po, 235 mm
C	2 1/8 po, 53 mm
D	3 3/8 po, 86 mm
E	5/16 po, 8 mm

**Remarque :** Les dimensions sont sujettes à changer sans préavis.

## Dimensions (7-200, 7-400, 7-500, 7-700)

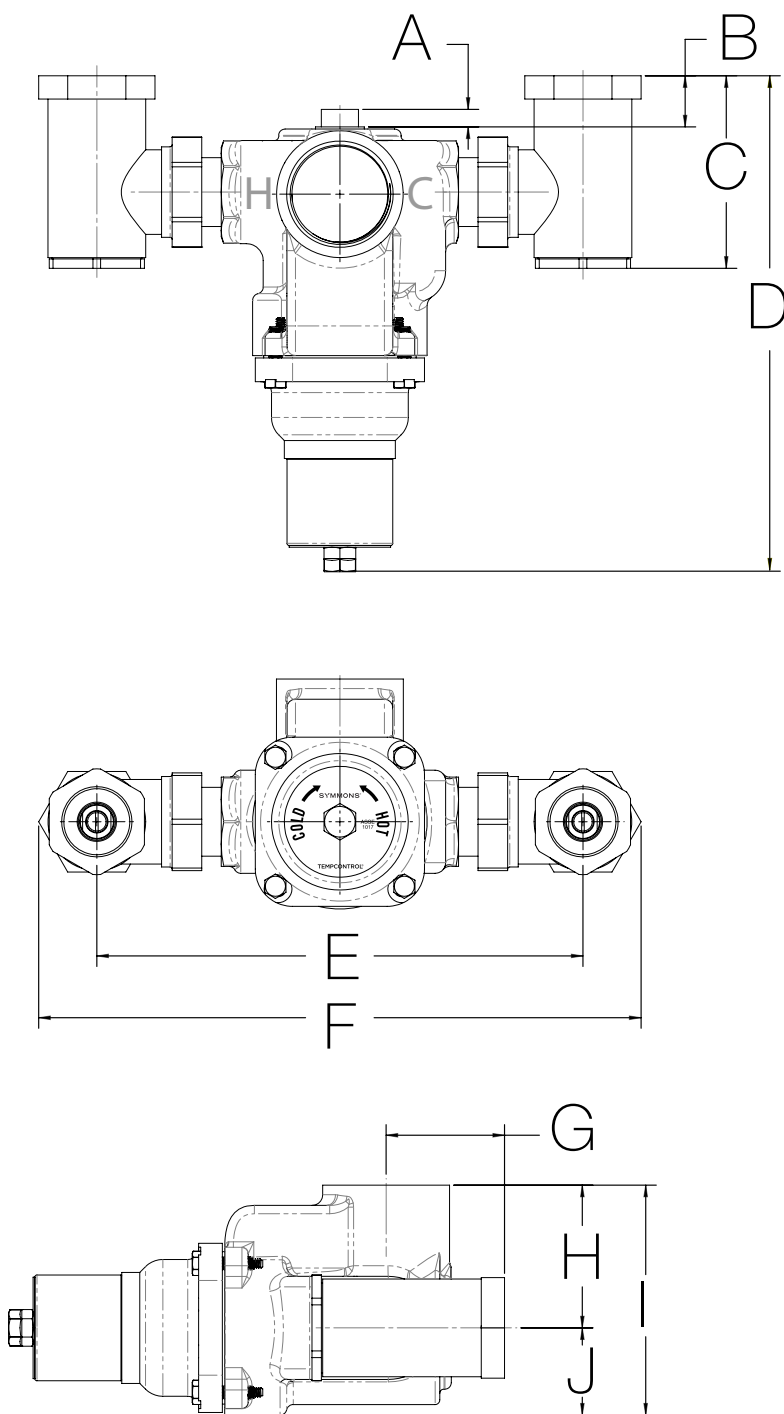


Dimensions des vannes TempControl		
N° de modèle	Entrée	Sortie
7-200	3/4 po	3/4 po
7-400	3/4 po	1 po
7-500	1 po	1 1/4 po
7-700	1 1/4 po	1 1/2 po

Mesures		
Dimension	7-200	7-400
A	1/2 po, 13 mm	1/2 po, 13 mm
B	1 7/8 po, 46 mm	1 1/2 po, 39 mm
C	8 15/16 po, 226 mm	9 3/4 po, 251 mm
D	5 15/16 po, 150 mm	6 1/2 po, 165 mm
E	2 po, 51 mm	2 5/8 po, 67 mm
F	3 5/16 po, 84 mm	4 1/8 po, 105 mm
G	1 5/16 po, 33 mm	1 1/2 po, 38 mm
H	11/16 po, 17 mm	3/4 po, 19 mm
Dimension	7-500	7-700
A	1/2 po, 13 mm	1/2 po, 13 mm
B	1 15/16 po, 49 mm	1 15/16 po, 49 mm
C	9 5/8 po, 248 mm	9 13/16 po, 243 mm
D	7 11/16 po, 195 mm	7 11/16 po, 195 mm
E	2 15/16 po, 75 mm	2 15/16 po, 75 mm
F	4 7/8 po, 124 mm	4 7/8 po, 124 mm
G	1 15/16 po, 49 mm	1 15/16 po, 49 mm
H	1 5/16 po, 33 mm	1 5/16 po, 33 mm

**Remarque :** Les dimensions sont sujettes à changer sans préavis.

## Dimensions (7-900, 7-1000)

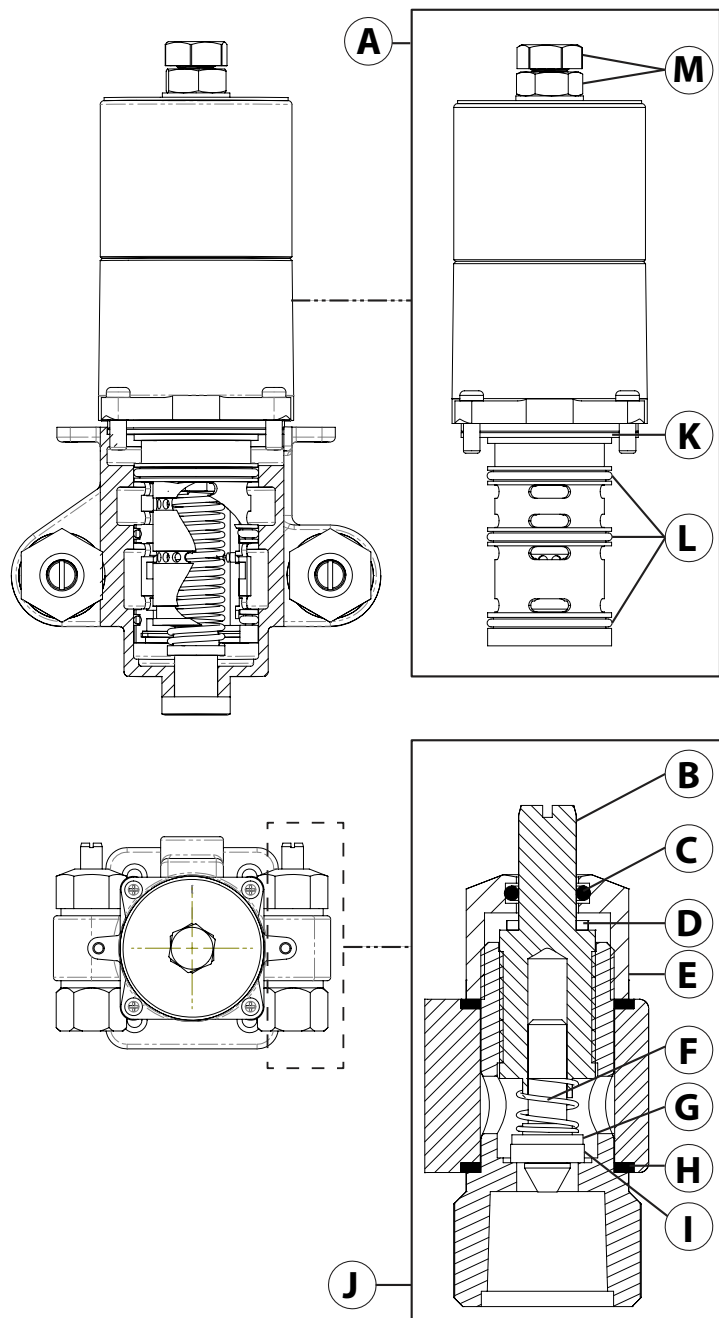


Dimensions des vannes TempControl		
N° de modèle	Entrée	Sortie
7-900	1 1/2 po	1 1/2 po
7-1000	1 1/2 po	2 po

Mesures		
Dimension	7-900	7-1000
A	7/16 po, 11 mm	7/16 po, 11 mm
B	1 3/16 po, 31 mm	1 3/16 po, 31 mm
C	4 9/16 po, 116 mm	4 9/16 po, 116 mm
D	11 1/6 po, 280 mm	11 3/8 po, 289 mm
E	11 1/2 po, 296 mm	11 1/2 po, 296 mm
F	14 1/4 po, 365 mm	14 1/4 po, 365 mm
G	2 13/16 po, 71 mm	2 13/16 po, 71 mm
H	3 3/8 po, 86 mm	3 3/8 po, 86 mm
I	5 7/16 po, 138 mm	5 7/16 po, 138 mm
J	2 1/16 po, 52 mm	2 1/16 po, 52 mm

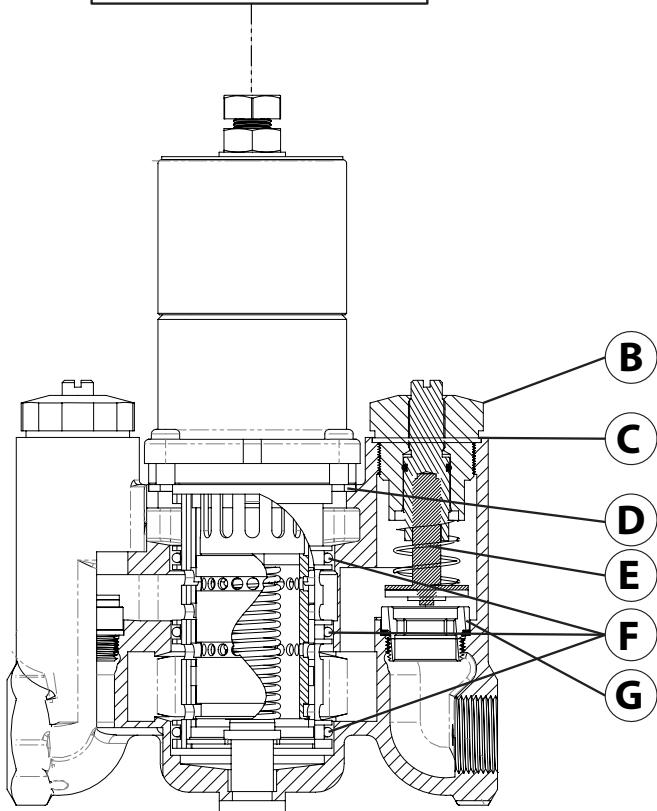
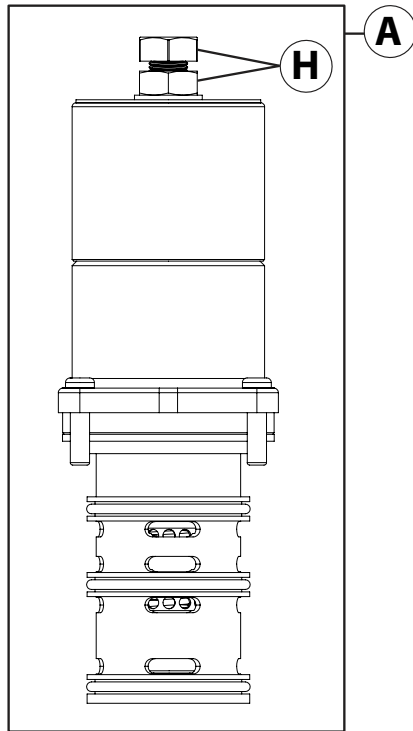
**Remarque :** Les dimensions sont sujettes à changer sans préavis.

## Nomenclature des pièces (7-102)



Pièces de remplacement pour modèle 7-102		
Article	Description	Numéro de pièce
A	Cartouche de remplacement de vanne	7-102NW
B	Tige anti-retour	CSE-35
C	Anneau	CE-29
D	Rondelle	CSE-31
E	Capuchon anti-retour	CSE-26
F	Ressort anti-retour	CSE-34
G	Assemblage anti-retour	CSE-33
H	Joint (x2)	CE-30
I	Rondelle anti-retour	CSE-32
J	Corps anti-retour avec dispositif d'arrêt	CSE-25
K	Joint de boîtier	TT-11-200
L	Anneaux à bague (x3)	TT-15-200
M	Écrou de contrôle de température & boulon	RO-028

## Nomenclature des pièces (7-200, 7-400, 7-500, 7-700)

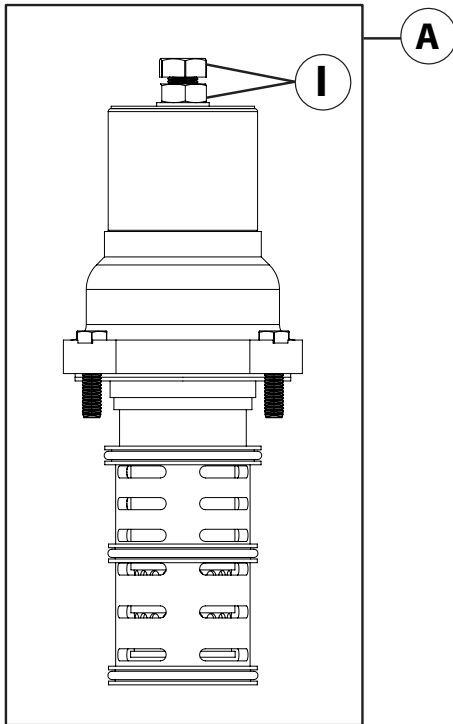


Pièces de remplacement pour modèle 7-200/400/500/700		
Article	Description	Numéro de pièce
A	Cartouche de remplacement de vanne	7-( )NW
B	Assemblage de remplacement d'arrêt complet	TT-50AN-( )
C	Joint de capuchon	TT-21-( )
D	Joint de boîtier	<b>7-200</b> TT-11-200 <b>7-400/500/700</b> TT-11-400
E	Tige et ressort anti-retour	TT-181-( )
F	Anneaux à bague (x3)	<b>7-200</b> TT-15-200 <b>7-400/500/700</b> TT-15-400
G	Siège anti-retour	TT-26-( )
H	Écrou de contrôle de température & boulon	RO-028

### Notes :

- 1) Insérez le numéro de modèle approprié entre parenthèse.
- 2) L'article B contient un joint de bouchon, un ressort anti-retour, un chapeau de robinet et un chapeau anti-retour.

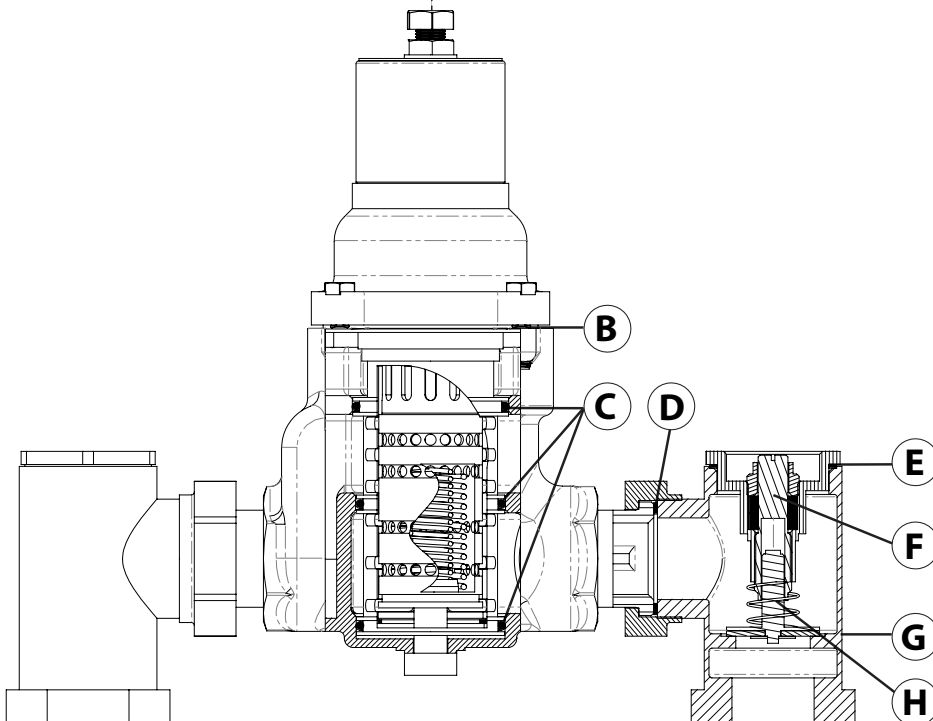
## Nomenclature des pièces (7-900, 7-1000)



Pièces de remplacement pour modèle 7-900/1000		
Article	Description	Numéro de pièce
A	Cartouche de remplacement de vanne	7-( )NW
B	Joint de boîtier	TT-11-1000
C	Anneaux à bague (x3)	TT-15-1000
D	Joints entre les dispositifs d'arrêt	TT-32A
E	Joint de capuchon	TT-21-( )
F	Tige d'arrêt	TT-22-( )
G	Assemblage de remplacement du corps d'arrêt complet	TT-27-( )
H	Tige et ressort anti-retour	TT-200-( )
I	Écrou de contrôle de température & boulon	RO-028

### Notes :

- 1) Insérez le numéro de modèle approprié entre parenthèse.
- 2) L'article G contient un joint de bouchon, un ressort anti-retour, un chapeau de robinet et un chapeau anti-retour.





### MISE EN GARDE



Lorsque des directives d'installation, d'opération et de service ne sont pas respectées, la fonction TempControl et la durée de vie du service seront grandement affectées.

Toutes les installations TempControl doivent être munies d'un thermomètre et d'une vanne d'arrêt au niveau de l'entrée d'eau modérée (comme montré dans les diagrammes) pour un service de dépannage approprié.

### Outils requis pour l'installation

Clé ajustable	
Tournevis à tête plate	
Tournevis Phillips	
Clé serre-tube	
Lunettes de sécurité	

## Assistance technique et taille

Pour obtenir de l'aide et un soutien technique au niveau de la dimension et de la sélection de la vanne ou du système TempControl approprié, consultez le logiciel de taille informatisé TempSize™, votre représentant local ou le service à la clientèle Symmons au 1-800-SYMMONS.

## Emplacement TempControl

Un principe fondamental des installations du contrôleur d'eau thermostatique est une reconnaissance que les vannes mixtes thermostatiques ne fonctionneront pas adéquatement lorsque les approvisionnements en eau chaude et froide desservant de telles vannes sont sujettes à des perturbations de pression lorsque le débit est inférieur à la capacité entière. Dans une salle mécanique adéquatement conçue, les pressions d'approvisionnement sont stables et non sujettes à des perturbations de pression. Ainsi, lorsqu'une vanne TempControl est indiquée comme étant située dans la salle mécanique, un système Hi-Low ne sera pas recommandé.

Lorsque l'emplacement de la vanne est indiquée comme étant située à l'extérieur de la salle mécanique, on présume qu'il existe une possibilité de fluctuations de pression dans les conduites d'approvisionnement d'eau chaude et froide desservant une vanne TempControl et un système Hi-Low sera automatiquement recommandé.

**Remarque :** Si le système est conçu de manière à ce que la vanne TempControl n'est pas sujet à une demande de débit high-low, même si elle est située à l'extérieur de la salle mécanique, une vanne TempControl unique fonctionnera adéquatement.

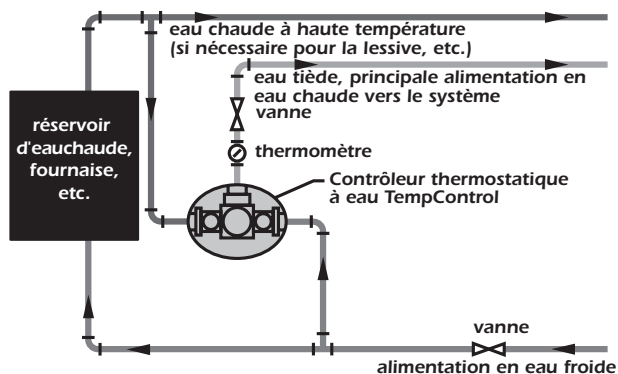
## Conseils d'installation

Tous les raccords doivent être bien rincés avant l'installation du TempControl. Le TempControl peut être installé à toute position tant que l'eau chaude est connecté dans le port « H » et l'eau froide dans le port « C ». Fermez les dispositifs d'arrêt de service sur le TempControl, retirez la cartouche, (consultez la page 11 pour la section Retrait et remplacement de la cartouche), allumez l'approvisionnement en eau et ouvrez les dispositifs d'arrêt pour bien rincer les tuyaux avant de mettre en service la vanne. TempControl est réglé aux réglages d'usine pour offrir environ 100° F (38 °C).



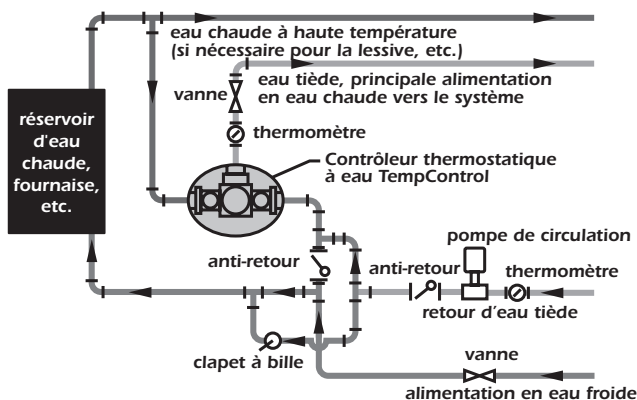
Diagrammes de raccords

**Diagramme 1**  
Installation vanne unique à la source  
d'eau chaude ou à proximité de celle-ci



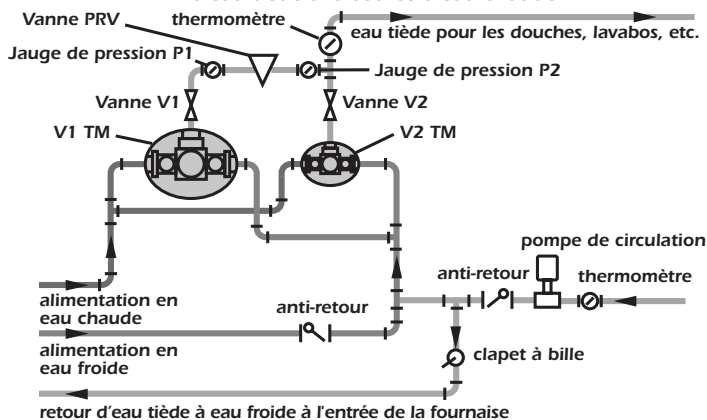
**Diagramme 1** INSTALLATION À LA SOURCE D'EAU CHAUDE OU À PROXIMITÉ DE CELLE-CI : TempControl doit être placé sous la cuve d'eau chaude ou le chauffe-eau, bien inférieur à la ligne d'eau de température élevée. Cette procédure crée une trappe de chaleur et protège contre la migration de l'eau chaude dans le contrôleur.

**Diagramme 2**  
Installation vanne unique avec recirculation  
d'eau tiède à la source d'eau chaude



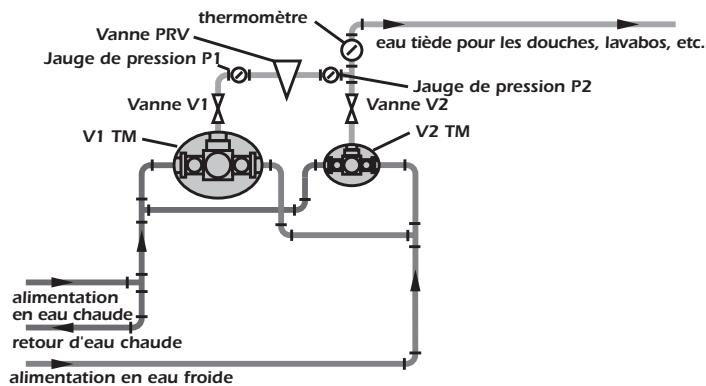
**Diagramme 2** INSTALLATION AVEC RECIRCULATION D'EAU TIÈDE À LA SOURCE D'EAU CHAUDE : TempControl doit avoir un raccord de retour connecté exactement comme démontré. Cette procédure permet au contrôleur de maintenir la température pendant les périodes de non vidange en (a) allouant la volume de retour d'eau important pour approvisionner l'entrée d'eau froide du TempControl et (b) le volume de retour d'eau moins important pour être réchauffé et approvisionner l'entrée d'eau chaude du TempControl. Lorsqu'il n'y a aucune vidange d'eau sur le système de plomberie, aucune eau ne peut être ajoutée au système; ainsi, les approvisionnements en eau « froide » et « chaude » vers le TempControl doit provenir du système, comme décrit ci-dessous à l'aide de la vanne à bille pour le réglage fin de l'opération, comme mentionné dans (a) et (b).

**Diagramme 3**  
Installation du système HI-LOW à distance  
d'eau tiède à la source d'eau chaude



**Diagramme 3** INSTALLATION AVEC RECIRCULATION D'EAU TIÈDE À LA SOURCE D'EAU CHAUDE : Le système Hi-Low TempControl doit avoir un raccord de retour connecté exactement comme démontré (consultez les notes du Diagramme 2).

**Diagramme 4**  
Installation du système HI-LOW à distance  
avec recirculation d'eau chaude



**Diagramme 4** INSTALLATION HI-LOW A DISTANCE AVEC RECIRCULATION D'EAU TIÈDE À LA SOURCE D'EAU CHAUDE SEULEMENT : Le système Hi-Low TempControl doit être raccordé comme montré.

### Opération et ajustement

Déterminez le cycle de la vanne à entièrement chaud (dans le sens antihoraire), puis froid (dans le sens des aiguilles) trois fois, permettant à la vanne d'atteindre une température complète. Grâce à environ 80 % de l'eau de source pour lequel il a été conçu, tournez le boulon d'ajustement pour obtenir le réglage désiré et verrouillez l'écrou en place. Les contrôleurs d'eau thermostatiques doivent être de taille appropriée selon la capacité du débit requis de la vanne, et NON selon la taille du raccord fourni à la vanne. Pour obtenir de l'aide et un soutien technique au niveau de la dimension et de la sélection du contrôleur d'eau thermostatique TEMPCONTROL approprié, consultez le logiciel de taille informatisé TEMPSIZE™, votre représentant local ou le service à la clientèle Symmons au 1-800-SYMMONS.



**MISE EN GARDE :** Tourner entièrement le boulon d'ajustement dans le sens horaire retirera le boulon du TempControl. Si cela survient, replacez simplement le boulon.

Pour les systèmes raccordés à **Diagramme 2 :**

1. Avec la vanne à bille fermée, réglez TempControl à la température désirée avec de l'eau provenant d'une canalisation d'eau modérée.
2. Après avoir obtenu la température désirée, arrêtez le débit de l'eau.
3. Ouvrez la vanne à bille afin qu'une petite quantité d'eau retourne à la source d'eau chaude. Ceci permet à TempControl de maintenir la température réglée pendant les périodes de non vidange du système.
4. Pendant la non vidange, observez le thermomètre sur la décharge du TempControl. Si la température augmente au-delà du réglage à l'étape 1, fermez la vanne à bille légèrement ou si la température baisse, ouvrez-la légèrement.

Pour les systèmes raccordés à **Diagramme 3 :**

1. Fermez la pompe de recirculation et fermez la vanne à bille.
2. Fermez la vanne (V1).
3. Ouvrez 5 douches ou l'équivalent à la position d'eau chaude.
4. Réglez la petite vanne TempControl (TMV2) à la position d'eau froide et remarquez la température sur le thermomètre.
5. Fermez la vanne (V2) et ouvrez la vanne (V1). Réglez la grande vanne TempControl (TMV1) à la température désirée (assurez-vous que la vis d'ajustement sur la vanne PRV est à la position horaire).
6. Fermez 2 douches ou l'équivalent (laissant la 3e ouverte) et ouvrez la vanne (V2).
7. Tournez l'ajustement PRV dans le sens antihoraire jusqu'à ce que la température (T) soit égale à celle obtenue à l'étape n 4.

8. Ajustez la vanne TempControl (TMV2) à la température du système désirée et le système sera en mode opérationnel.
9. Arrêtez le débit d'eau, après avoir obtenu la température désirée et ouvrez la pompe de recirculation.
10. Ouvrez la vanne à bille afin qu'une petite quantité d'eau retourne à la source d'eau chaude. Ceci permet à TempControl de maintenir la température réglée pendant les périodes de non vidange du système.
11. Pendant la non vidange, observez le thermomètre sur la décharge du TempControl. Si la température augmente au-delà du réglage à l'étape 8, fermez la vanne à bille légèrement ou ouvrez-la si la température baisse.

Pour les systèmes raccordés à **Diagramme 4 :**

Suivez les étapes 2 à 9 pour les systèmes raccordés à **Diagramme 3 :** Ignorez la référence pour la pompe de recirculation à l'étape 9 (non applicable à cette installation).

### Entretien

La cartouche contient le mécanisme entier de contrôle de la vanne. Pour un service non interrompu, gardez une cartouche de remplacement à portée de main.

Le mécanisme de contrôle de la vanne du TempControl doit être propre et sans dépôts et toute matière étrangère qui seront présent dans plusieurs systèmes d'eau. Inspectez dans les 30 jours suivant l'installation ou l'opération initiale. Si l'inspection détermine que votre système d'eau cause des dépôts et qu'une matière étrangère se forme mensuellement, la vanne doit alors être nettoyée mensuellement comme suit : Retirez la cartouche (consultez la page 11 pour la section Retrait et remplacement de la cartouche) et trempez-la dans tout agent déchaillant acceptable (ou vinaigre maison régulier). Lavez les dépôts, assurez-vous que le piston bouge librement dans son manchon, et remplacez la cartouche. Nettoyez plus souvent si votre système le requiert (ne retirez pas complètement le piston de la cartouche). Les vannes anti-retour du système TempControl sont grandement importantes facteurs dans son opération appropriée. Si des copeaux, saleté ou autres matériaux étrangers se logent sur les supports et empêchent les anti-retours d'être bien installés, il peut y avoir une dérivation de l'eau dans la canalisation opposée, et le TempControl ne fonctionnera pas à température de prestation réglée. Une dérivation peut être détectée en touchant la canalisation, tandis que le système TempControl ne fonctionne pas. Si, par exemple, la canalisation d'eau froide est chaude, l'anti-retour d'eau froide n'est pas installé correctement. Elle doit être retirée et l'anti-retour et son support nettoyés.

### Retrait et remplacement de la cartouche

Avant de retirer une cartouche usagée pour la nettoyer, ayant un nouveau joint de boîtier et des anneaux à bague à portée de main.

Fermez les approvisionnements aux anti-retours d'arrêt en tournant dans le sens horaire.

Retirez les 4 boulons sur la bride du boulon de la cartouche.

Grâce à deux tournevis à bout large, forcez de manière uniforme sur les deux côtés opposés de la bride du boulon jusqu'à ce que la cartouche puisse être retirée à la main. Retirez la cartouche avec un mouvement de rotation, gardez toujours la cartouche sur la canalisation centrale.

Laissez le ressort de compensation en place, au centre inférieur de la vanne.

Nettoyez la cartouche, comme décrit dans les instructions d'entretien.

Remplacez les anneaux à bague et le lubrifiant.

Avec un mouvement de rotation, remplacez la cartouche dans le corps de la vanne jusqu'à ce que la bride du boulon soit fermement maintenue contre le joint du boîtier.

Tout en maintenant la cartouche en place, remplacez les boulons et serrez. Ne tentez pas de tirer la cartouche en place avec les boulons, cela endommagera le mécanisme de contrôle de la vanne.

Ouvrez les dispositifs d'arrêt et ajustez la température.

### Utilisation saisonnière

Lorsqu'un système TempControl est utilisé saisonnièrement (écoles, campings, clubs de golf, etc.), la cartouche doit être retirée et bien drainée de toute eau pour prévenir les dommages liés à la congélation. Les dispositifs d'arrêt anti-retour doivent également être retirés pour drainer toute l'eau des canalisations et de la vanne (consultez « Retrait et remplacement de la cartouche »). Ceci évitera les dommages causés par l'eau congelée.

## Tableau de problèmes

### Pour les systèmes recirculés d'eau modérée

Problème	Cause	Solution
Le thermomètre de la sortie du TempControl augmente la température du chauffage au début de la non vidange (p. ex. évier ou douches qui ne coulent pas, etc.).	Aucune circulation d'eau modérée puisque la conduite de retour est raccordée à la source d'eau chaude uniquement.	Système de raccordement au diagramme 2 ou 3 (p. 9) ce qui permet à la décharge de la pompe (retour d'eau modérée) de revenir à la source d'eau chaude et à l'entrée d'eau froide du TempControl.
La température d'eau chaude à l'évier ou la douche est inférieure à la valeur de réglage du TempControl.	Une circulation suffisante d'eau modérée n'atteint pas la source d'eau chaude.	Système de raccordement au diagramme 2 ou 3 (p. 9) ce qui permet à la décharge de la pompe (retour d'eau modérée) de revenir à la source d'eau chaude et à l'entrée d'eau froide du TempControl.
La température augmente.	Non raccordé au diagramme 2 ou 3. Vanne à bille trop ouverte.	La vanne anti-retour doit être installée sur l'approvisionnement d'eau froide du contrôleur ou ajuster la vanne à bille (consultez le diagramme 2 ou 3 à la page 9).
Ne peut élever ou diminuer l'eau modérée en tournant le boulon d'ajustement.	Obstruction du piston avec une matière étrangère.	Retirer la cartouche et trempez-la dans le vinaigre maison pendant une heure. Si le piston ne se libère pas après le trempage, remplacer la cartouche.
La température baisse pendant la vidange (écoulement d'évier, de douche, etc.).	La vanne a été réglée au mode sans drainage.	Faire couler les douches et les éviers, puis régler la vanne.

### Pour les systèmes non recirculés d'eau modérée

Problème	Cause	Solution
Dérivation, froid à chaud ou chaud à froid.	Anti-retours non installés adéquatement.	Nettoyer les anti-retours, ou si endommagés, remplacez les pièces endommagées.