

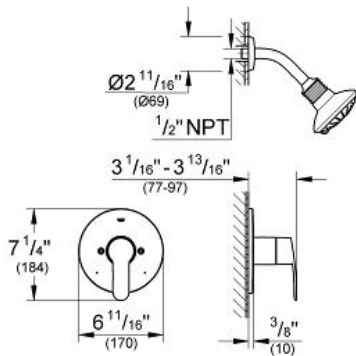
EUROSTYLE COSMOPOLITAN Pressure Balance Valve Shower Combination

MODEL # 35023002

GROHE America, Inc | 200 North Gary Avenue, Suite G, Roselle, IL 60172
Phone: +1 (800) 444-7643 | Fax: +1 (800) 225-2778 | us-customerservice@grohe.com

Pure Freude an Wasser

GROHE



ADA

Product Description:
Pressure Balance Valve Shower Combination

Standard Specification:

- For use with GrohSafe® Universal Pressure Balance Rough-In Valve (35 015 000)
- 5 5/8" Tubular shower arm (27 414)
- **GROHE StarLight** chrome finish
- Euphoria® shower head (27 246), 2.5 gpm

Applicable Codes & Standards:

- Energy Policy Act of 1992
- ASME A112.18.1/CSA B125.1
- ICC/ANSI A117.1

Color:

- 35023002 StarLight Chrome