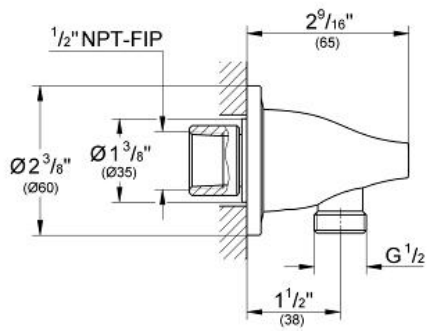


GROHE ONDUS  
Shower Outlet Elbow  
MODEL # 27197000

Pure Freude  
an Wasser

GROHE



**Product Description:**  
GROHE ONDUS  
Shower Outlet Elbow

**Standard Specification:**

- Check valve included to prevent backflow

**Applicable Codes & Standards:**

- Energy Policy Act of 1992
- ASME A112.18.1/CSA B125.1

**Color:**

- 27197000 StarLight Chrome