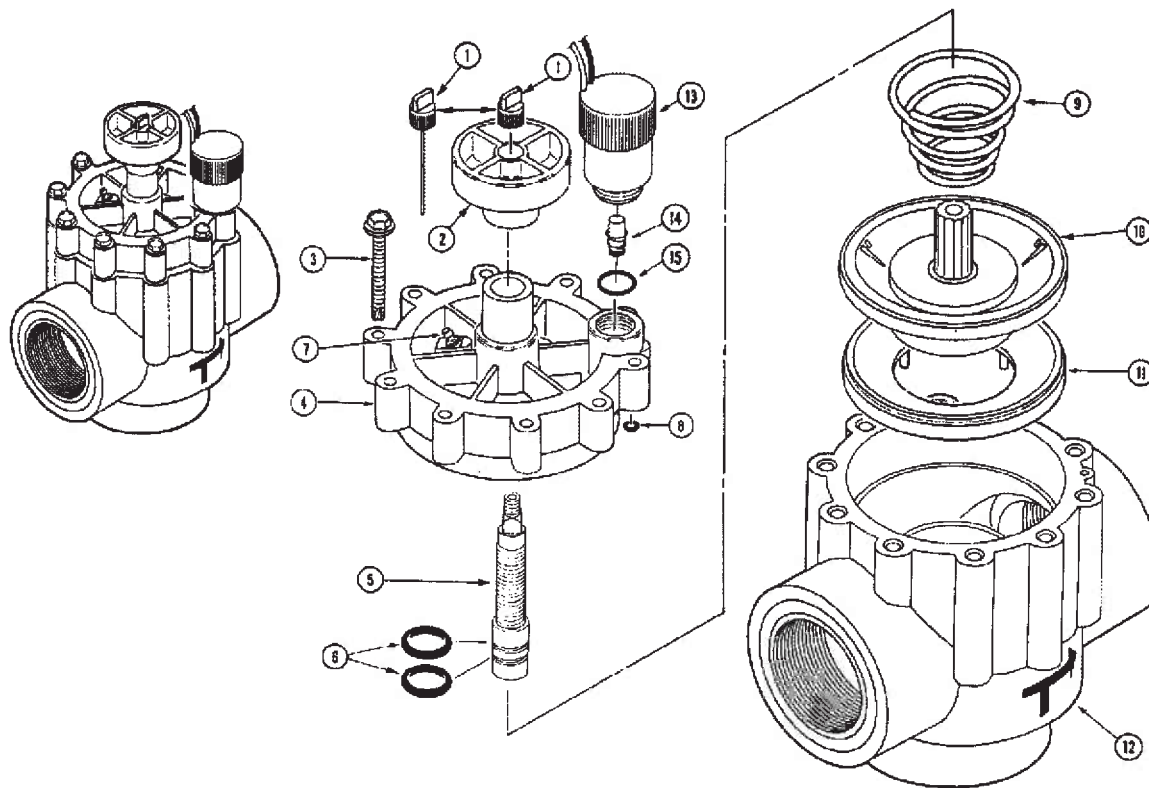
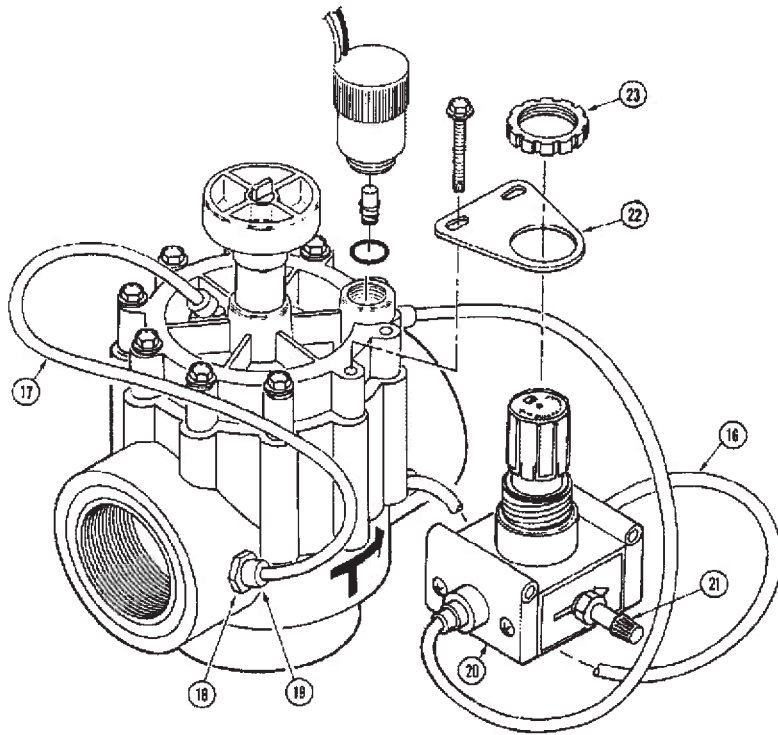


252 Series, 2 Inch (Sheet 1 of 2)



Item No.	Part No.	Description	Quantity Per Assy.
1	35-3892	Bleed Cap Assy. with Pin, EL	1
1	35-1748	Bleed Cap, NO, PR & CR	1
2	35-3777	Knob, Handle Cross	1
3	363-1399	Screw, Hex, Washer, 1/4-14 x 2"	10
4	- - - -	Cap, Valve (See Service Items)	1
5	35-1983	Stem, Flow Control	1
6	360-0220	O-Ring, 0.070" x 0.551" x 0.691"	2
7	9-6791	Connector, Poly, NO & PR	1
8	1-2035	O-Ring, 0.070" x 0.114" x 0.254"	1
9	9-6940	Spring, Diaphragm, EL, PR & CR	1
9	9-4425	Spring, Diaphragm, NO	1
10	89-0815	Diaphragm Assy., EL	1
10	89-0816	Diaphragm Assy., NO, PR & CR	1
11	9-6504	Support, Diaphragm	1
12	9-7258	Body Assy., EL & NO, NPT	1
12	35-1974	Body Assy., EL & NO, BSP	1
12	35-4943	Body Assy., PR, NPT	1
12	35-5645	Body Assy., PR, BSP	1
12	89-4807	Body Assy., CR, NPT	1
12	89-6035	Body Assy., CR, BSP	1
13	89-1905	Solenoid Assy.	1
14	35-4609	Plunger Assy.	1
15	360-0220	O-Ring, 0.070" x 0.551" x 0.691"	1

252 Series, 2 Inch (Sheet 2 of 2)



Item No.	Part No.	Description	Quantity Per Assy.
16	9-2623	Tube, 1/4" x 8", PR	1
17	9-1876	Tube, 1/4" x 12", PR and CR	2
18	35-4931	Filter Assy., Regulator, .034", PR and CR (Includes O-Ring)	1
19	*900-40	Retainer, Tube, PR and CR	4
20	363-3141	Regulator Assy., Pressure, PR	1
21	363-1762	Valve, Schrader, 1/8" NPT, PR	1
22	35-3444	Bracket, Regulator, PR	1
23	363-1894	Nut, Regulator, PR	1
		SERVICE ITEMS	
	35-3099	Solenoid Assy., EL and PR (Includes Items 13 & 14)	
	360-0631	Plug, Pipe, 2", NPT	
	35-5154	Plug, Pipe, 2", BSP	
	89-3854	Diaphragm Kit, EL 232 Valve (Includes Item 10 & 11)	
	89-3855	Diaphragm Kit, EL 232/252 Valves (Includes Item 10 & 11)	
	35-0596	Cap Assy., Valve, EL (Includes Item 4-6)	
	35-0768	Cap Assy., Valve, NO (Includes Item 4-7)	
	35-4940	Cap Assy., Valve, PR (Includes Item 4-7)	
	89-4806	Cap Assy., Valve, CR (Includes Items 4-7)	
	35-4926	Regulator Assy., Valve, Plastic, PR (Includes Items 20-23)	
	89-0806	Bleed Screw, Fast, 2"	
	360-0494	O-Ring, 0.070" x 0.426" x 0.566", PR and CR	
		* Order Through Finished Goods Distribution System—Minneapolis	