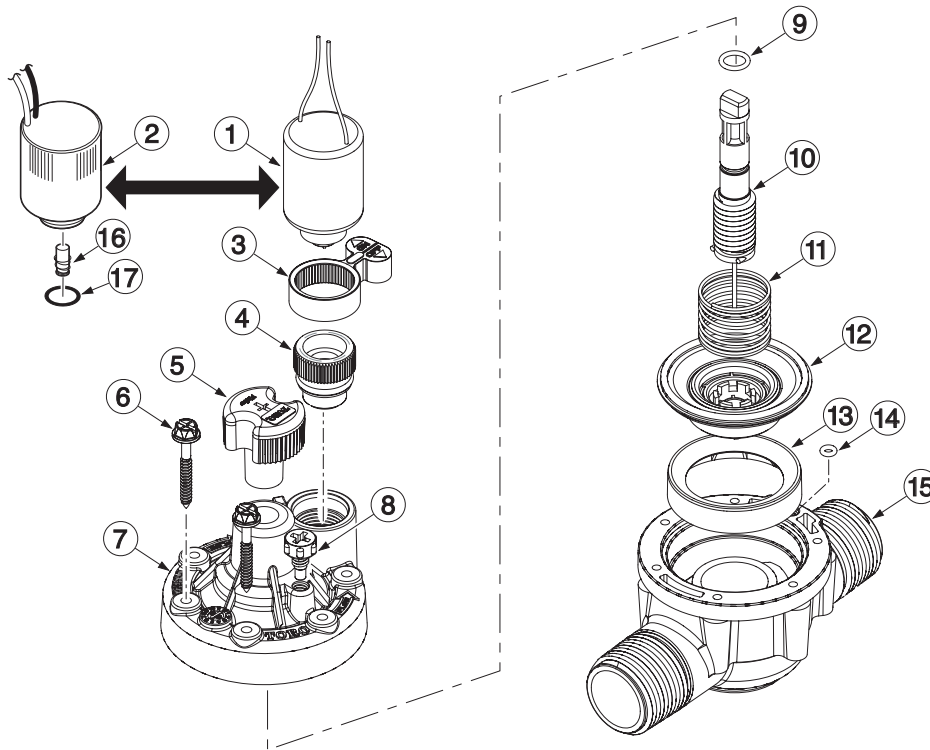
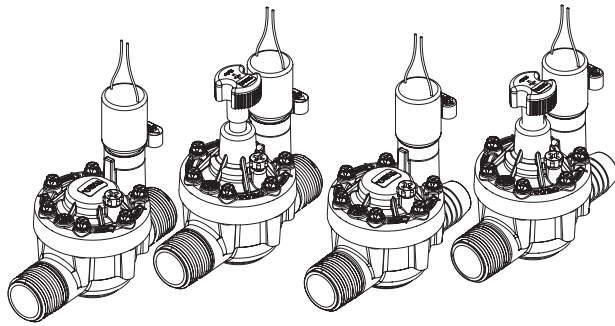
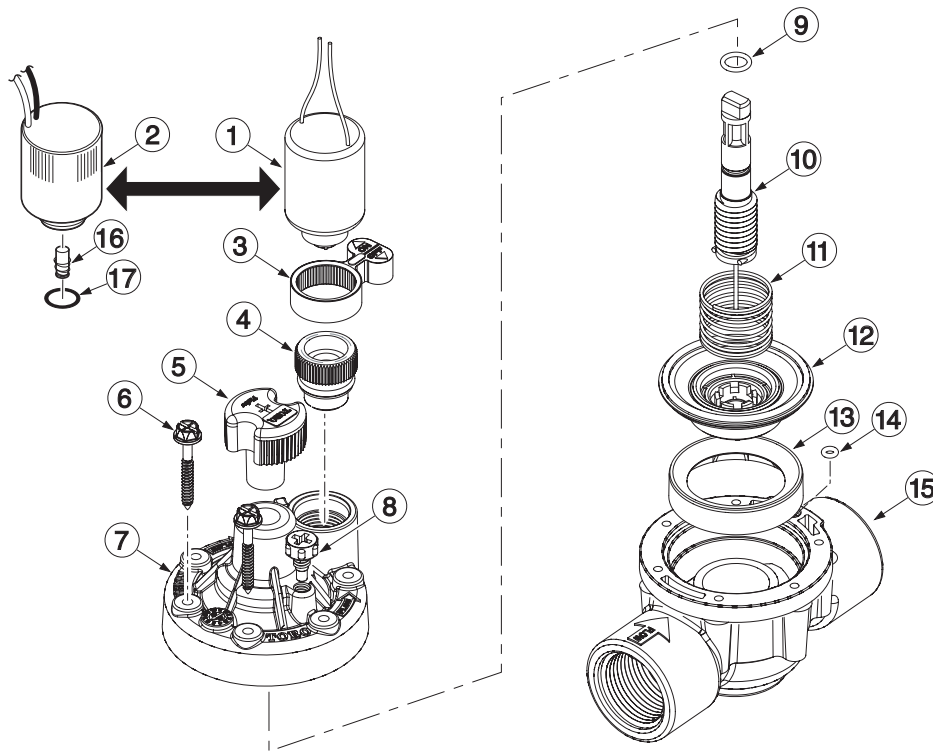
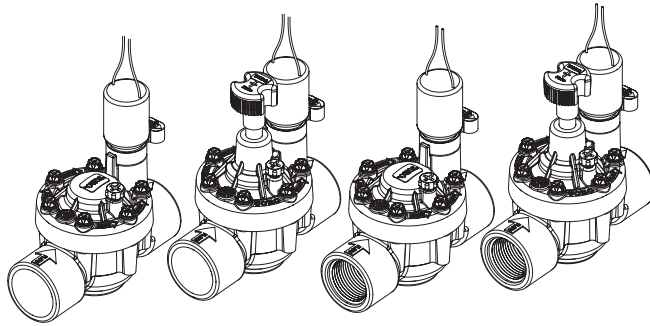


TPV Series Valves, 1 Inch Male



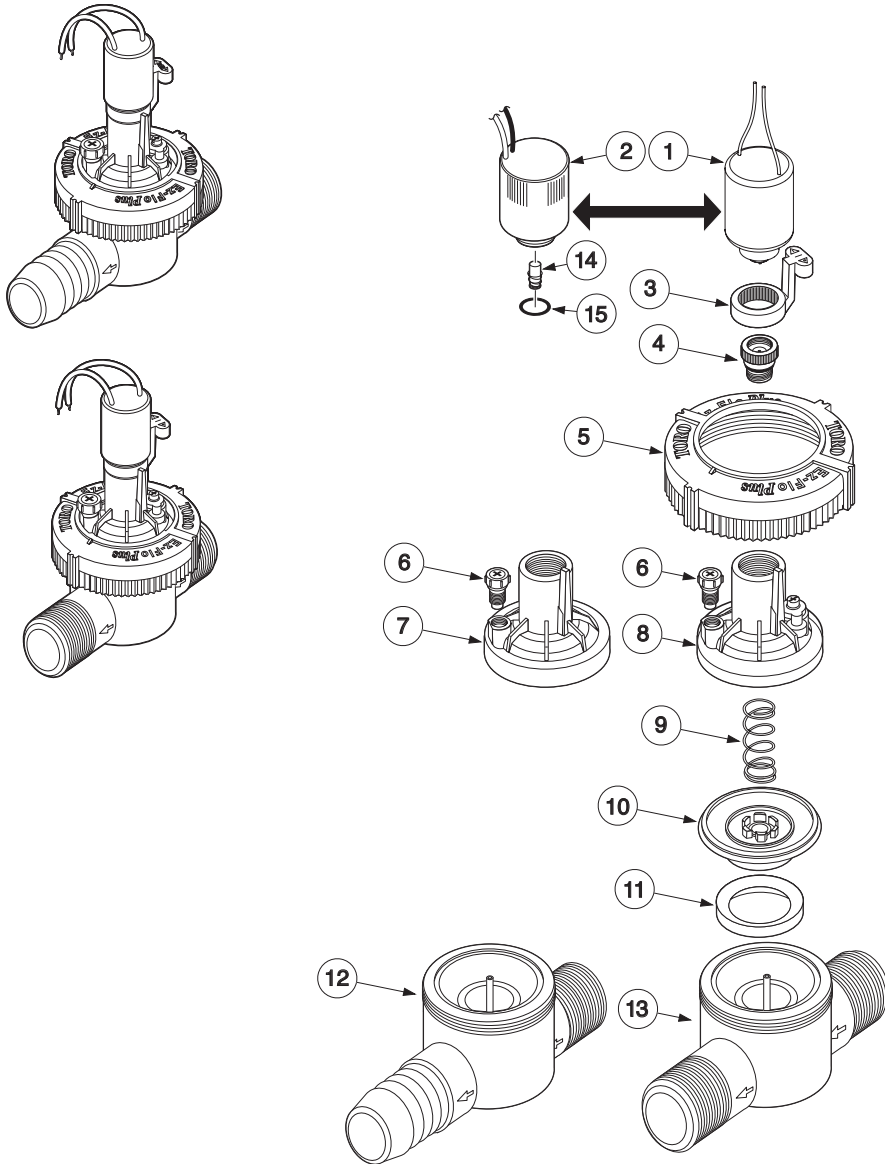
Item No.	Part No.	Description	Quantity Per Assy.
1	102-7053	Solenoid Assy., 24 VAC, 60 Hz	1
1	102-7054	Solenoid Assy., 24 VAC, 50 Hz	1
2	102-2709	Solenoid Assy., 24 DC, Latching	1
3	606902	Handle, Bleed Plug	1
4	102-5593	Bleed Plug Assy.	1
5	102-6622	Handle, Flow Control (Flow Control Models)	1
6	102-6644	Screw	6
7	102-6621	Cover Assy. (w/o Flow Control)	1
7	102-6620	Cover Assy. (Flow Control Models)	1
8	1081401	External Bleed Screw	1
9	363-4246	O-Ring, Stem Assembly (Flow Control Models)	1
10	1074701	Stem Assembly (Flow Control Models)	1
11	153201	Spring	1
12	152201	Diaphragm Assy.	1
13	1116602	Divider	1
14	531501	O-Ring, Body	1
15	102-6616	Body Assy., 1", M x M, NPT	1
15	102-6653	Body Assy., 1", M x M, BSP	1
15	102-6617	Body Assy., 1", M x B, NPT	1
16	89-9562	Plunger	1
17	360-0220	O-Ring	1
		SERVICE Items	
	EFF-Kit-60Hz	Reclaimed Water Solenoid Kit, Effluent, 60Hz, Domestic	
	EFF-Kit-50Hz	Reclaimed Water Solenoid Kit, Effluent, 50Hz, International	

TPV Series Valves, 1 Inch Female



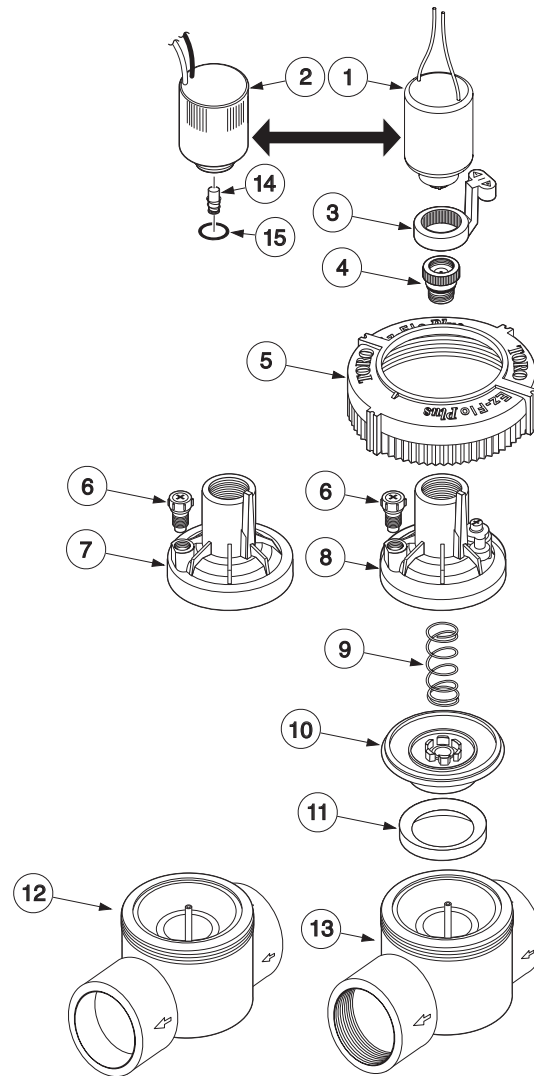
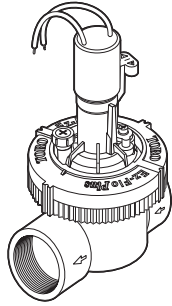
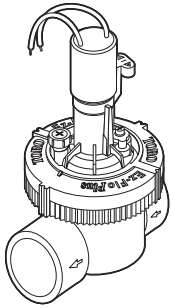
Item No.	Part No.	Description	Quantity Per Assy.
1	102-7053	Solenoid Assy., 24 VAC, 60 Hz	1
1	102-7054	Solenoid Assy., 24 VAC, 50 Hz	1
2	102-2709	Solenoid Assy., 24 DC, Latching	1
3	606902	Handle, Bleed Plug	1
4	102-5593	Bleed Plug Assy.	1
5	102-6622	Handle, Flow Control (Flow Control Models)	1
6	102-6644	Screw	6
7	102-6621	Cover Assy. (w/o Flow Control)	1
7	102-6620	Cover Assy. (Flow Control Models)	1
8	1081401	External Bleed Screw	1
9	363-4246	O-Ring, Stem Assembly (Flow Control Models)	1
10	1074701	Stem Assembly (Flow Control Models)	1
11	153201	Spring	1
12	152201	Diaphragm Assy.	1
13	1116602	Divider	1
14	531501	O-Ring, Body	1
15	102-6615	Body Assy., 1", F x F, NPT	1
15	102-6654	Body Assy., 1", F x F, BSP	1
15	102-6655	Body Assy., 1", S x S	1
16	89-9562	Plunger	1
17	360-0220	O-Ring	1
		SERVICE Items	
	EFF-Kit-60Hz	Reclaimed Water Solenoid Kit, Effluent, 60Hz, Domestic	
	EFF-Kit-50Hz	Reclaimed Water Solenoid Kit, Effluent, 50Hz, International	

EZ-Flo Plus Series, 1 Inch Male



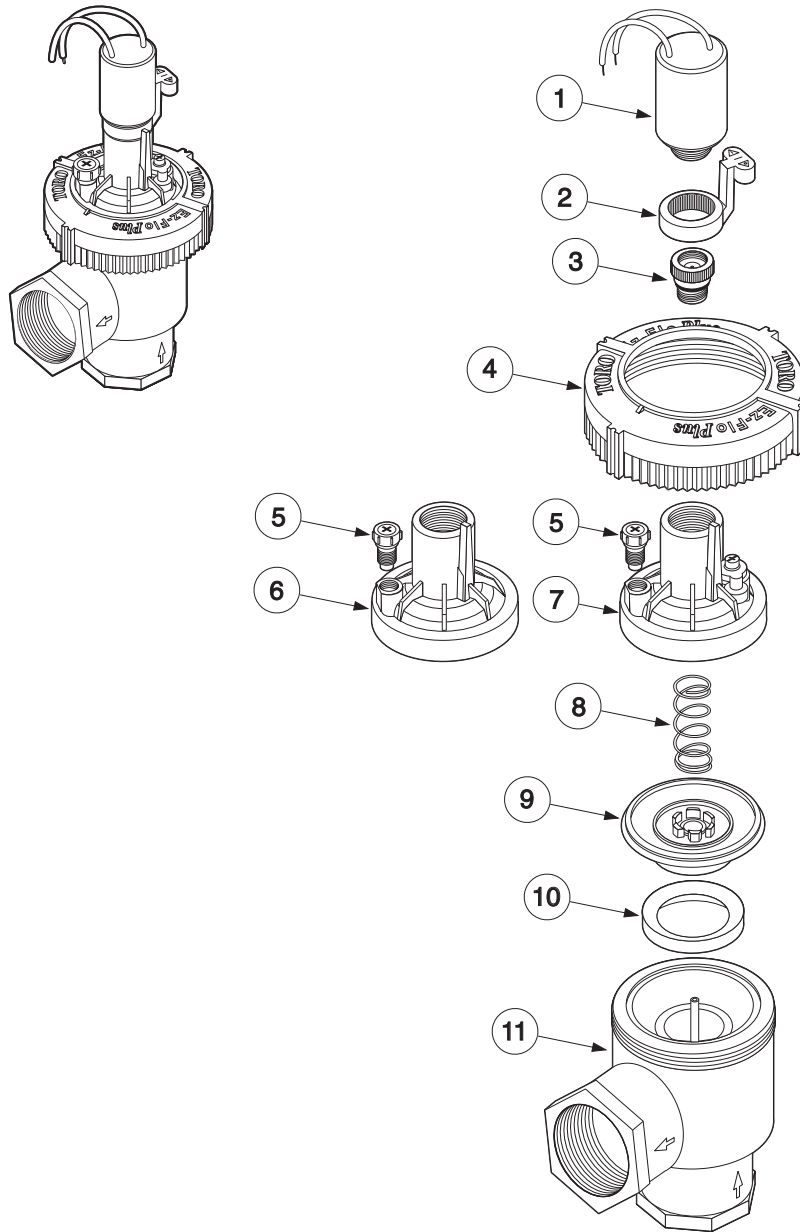
Item No.	Part No.	Description	Quantity Per Assy.
1	102-7053	Solenoid Assy., 24 VAC, 60 Hz	1
1	102-7054	Solenoid Assy., 24 VAC, 50 Hz	1
2	102-2709	Solenoid Assy., 24 DC, Latching	1
3	1081501	Handle, Bleed Plug	1
4	102-5593	Bleed Plug Assy., New	1
5	102-1717	Cover Nut	1
6	1081401	External Bleed Screw	1
7	512203	Cover Assy. (w/o Flow Control)	1
8	1115004	Cover Assy. (Flow Control Models)	1
9	204A-37	Spring	1
10	138802	Diaphragm Assy.	1
11	1116602	Divider	1
12	-----	Body Assy., 1", M x B, NPT	1
13	-----	Body Assy., 1", M x M, NPT	1
14	89-9562	Plunger	1
15	360-0220	O-Ring	1

EZ-Flo Plus Series, 1 Inch Female



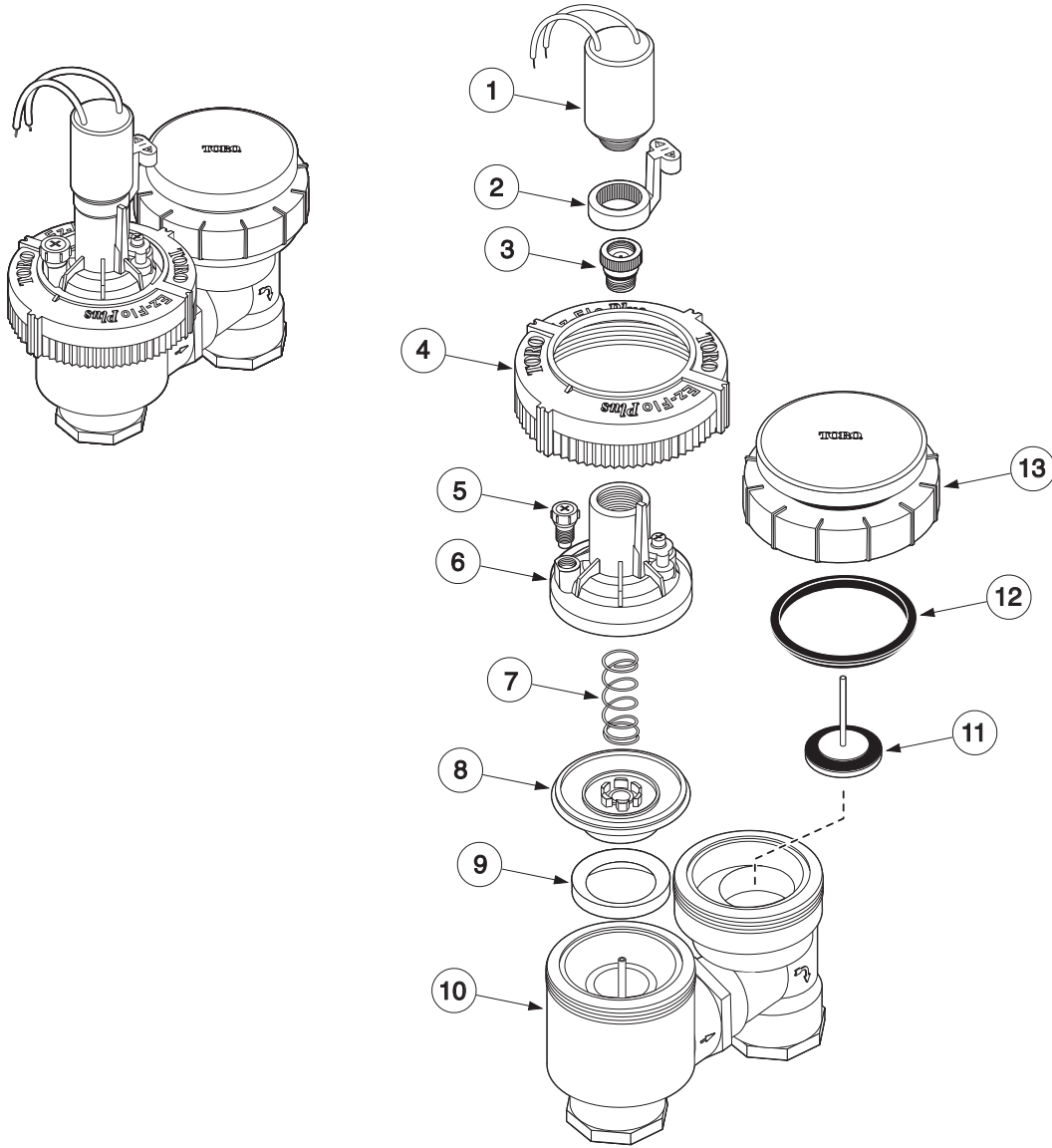
Item No.	Part No.	Description	Quantity Per Assy.
1	102-7053	Solenoid Assy., 24 VAC, 60 Hz	1
1	102-7054	Solenoid Assy., 24 VAC, 50 Hz	1
2	102-2709	Solenoid Assy., 24 DC, Latching	1
3	1081501	Handle, Bleed Plug	1
4	102-5593	Bleed Plug Assy., New	1
5	102-1717	Cover Nut	1
6	1081401	External Bleed Screw	1
7	512203	Cover Assy. (w/o Flow Control)	1
8	1115004	Cover Assy. (Flow Control Models)	1
9	204A-37	Spring	1
10	138802	Diaphragm Assy.	1
11	1116602	Divider	1
12	-----	Body Assy., 1", F x F, Slip	1
13	-----	Body Assy., 1", F x F, NPT	1
14	89-9562	Plunger	1
15	360-0220	O-Ring	1

EZ-Flo Plus Series, 1 Inch Angle



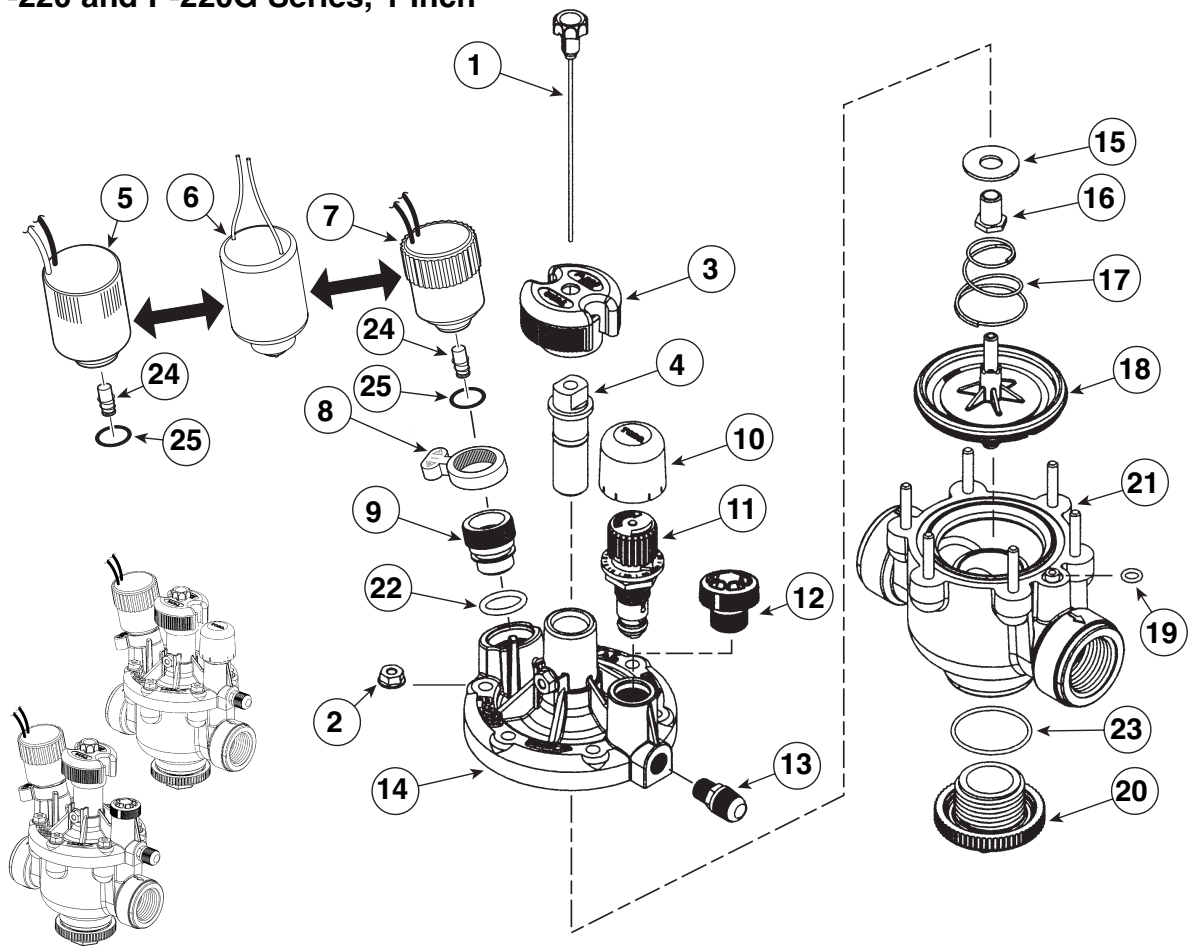
Item No.	Part No.	Description	Quantity Per Assy.
1	102-7053	Solenoid Assy., 24 VAC, 60 Hz	1
1	102-7054	Solenoid Assy., 24 VAC, 50 Hz	1
2	1081501	Handle, Bleed Plug	1
3	102-5593	Bleed Plug Assy., New	1
4	102-1717	Cover Nut	1
5	1081401	External Bleed Screw	1
6	512203	Cover Assy. (w/o Flow Control)	1
7	1115004	Cover Assy. (Flow Control Models)	1
8	204A-37	Spring	1
9	138802	Diaphragm Assy.	1
10	1116602	Divider	1
11	-----	Body Assy., 1", F x F, NPT	1

EZ-Flo Plus AVB Series, 3/4 Inch and 1 Inch



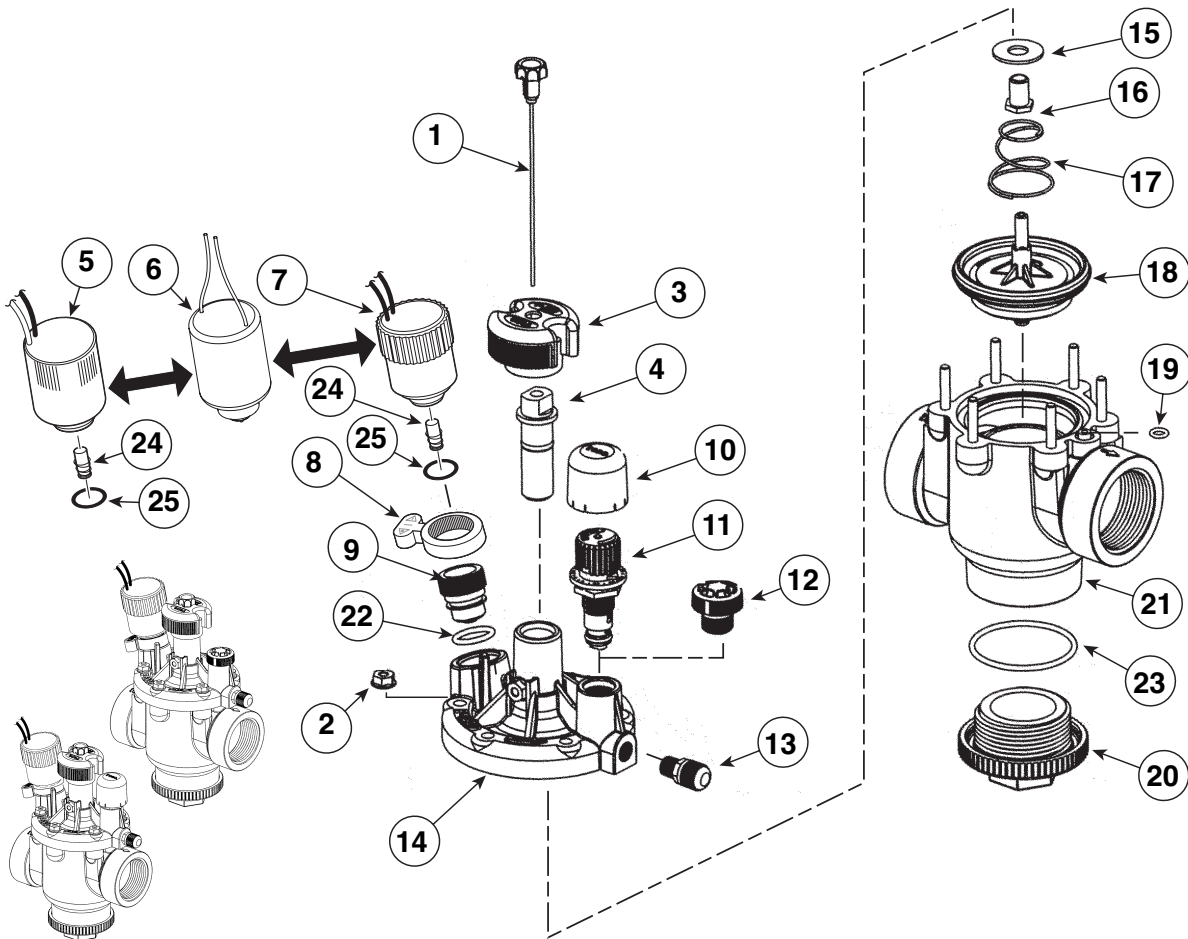
Item No.	Part No.	Description	Quantity Per Assy.
1	102-7053	Solenoid Assy., 24 VAC, 60 Hz	1
1	102-7054	Solenoid Assy., 24 VAC, 50 Hz	1
2	1081501	Handle, Bleed Plug	1
3	102-1197	Bleed Plug Assy., New	1
4	102-1717	Cover Nut	1
5	1081401	External Bleed Screw	1
6	1115004	Cover Assy.	1
7	204A-37	Spring	1
8	138802	Diaphragm Assy.	1
9	1116602	Divider	1
10	-----	Body Assy, 3/4", NPT	1
10	-----	Body Assy, 1", NPT	1
11	1088001	Stem Assy., 3/4"	1
11	1018601	Stem Assy., 1"	1
12	595901	Seal, Anti-Siphon Cover, 3/4"	1
12	655401	Seal, Anti-Siphon Cover, 1"	1
13	217107-H	Shield/Cover Assy., 3/4"	1
13	519111	Shield/Cover Assy., 1"	1

P-220 and P-220G Series, 1 Inch



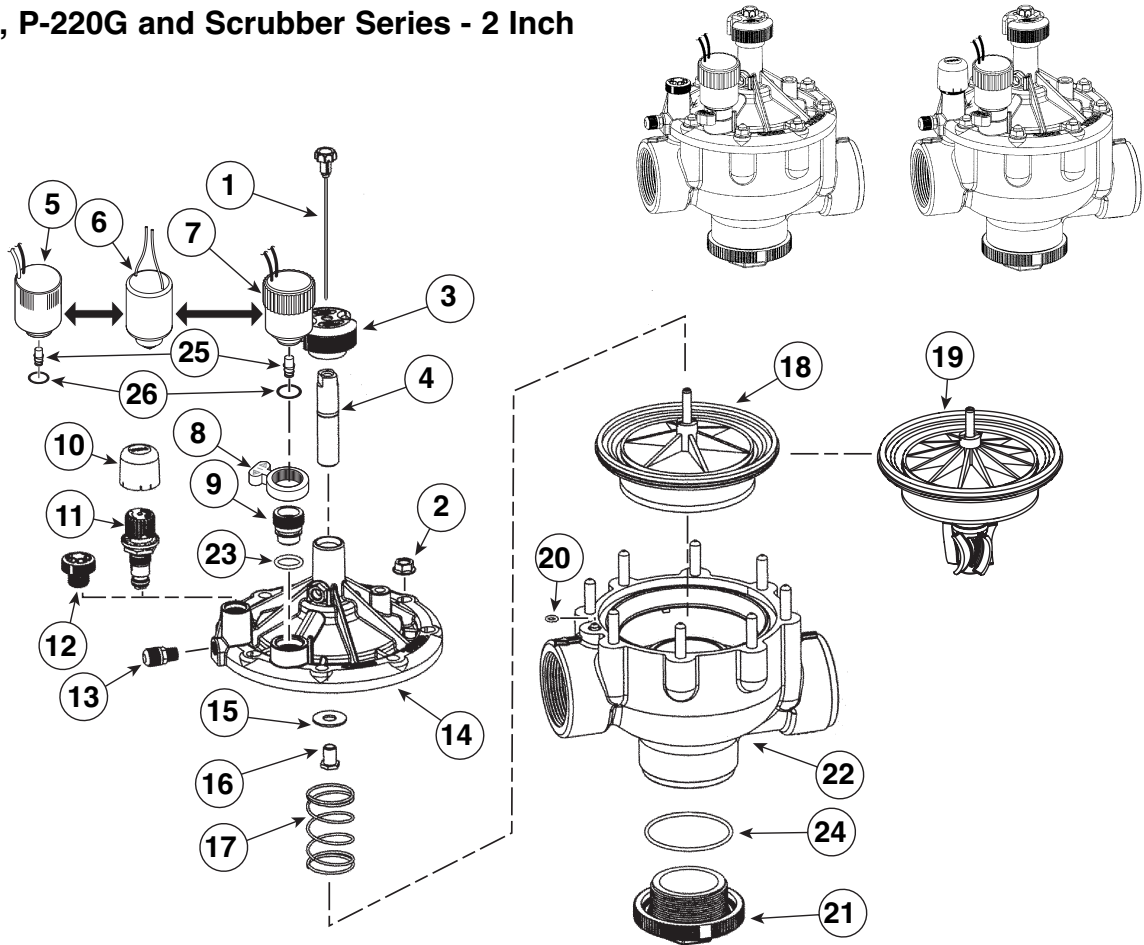
Item No.	Part No.	Description	Quantity Per Assy.
1	102-3756	Metering Rod Assy., P-220	1
2	845101	Hex Nut, Flanged	7
3	89-9780	Handle, Flow Control	1
4	102-0966	Stem Assy., Flow Control	1
5	102-2709	Solenoid, 24 VDC, Latching (2-Wire Decoder)	1
6	102-7053	Solenoid Assy. w/ Plunger, 24 VAC, 60 Hz	1
6	102-7054	Solenoid Assy. w/ Plunger, 24 VAC, 50 Hz	1
7	102-6316	Solenoid, 60 Hz, SpikeGuard (P-220G Only)	1
8	606902	Handle, Bleed Plug	1
9	102-4787	Bleed Plug, New	1
10	835203	Cap, Vandal Resistant (Pressure Regulating Models Only)	1
11	*EZR-30	Regulator Module, 30 psi (Includes Item 10)	1
11	*EZR-100	Regulator Module, 100 psi (Includes Item 10)	1
12	89-9521	Blanking Plug Assy. (Non-pressure Regulating Models Only)	1
13	834101	Valve Assy., Schrader	1
14	102-0366	Bonnet Assy.	1
15	856202	Stem Washer	1
16	1033-H	Bushing	1
17	H1040	Spring	1
18	102-0368	Diaphragm Assy.	1
19	1054-H	O-Ring, Body	1
20	536203	Plug, Body, NPT & BSP	1
21	-----	Valve Body Assy.	1
22	1009701	O-Ring, Bleed Plug	1
23	2413	O-Ring, Body Plug	1
24	89-9562	Plunger Assembly (Used with Items 5 & 7)	1
25	360-0220	O-Ring, 0.070" x 0.551" x 0.691", EL & PR (Used with Items 5 & 7)	1
	SERVICE ITEMS		
	102-0847	Assy., Kit, Service, 1" & 1.5", P-220 (Includes Items 1-3, 11-13 and 16)	
		* Order Through Finished Goods Distribution System-Minneapolis	

P-220 and P-220G Series, 1.5 Inch



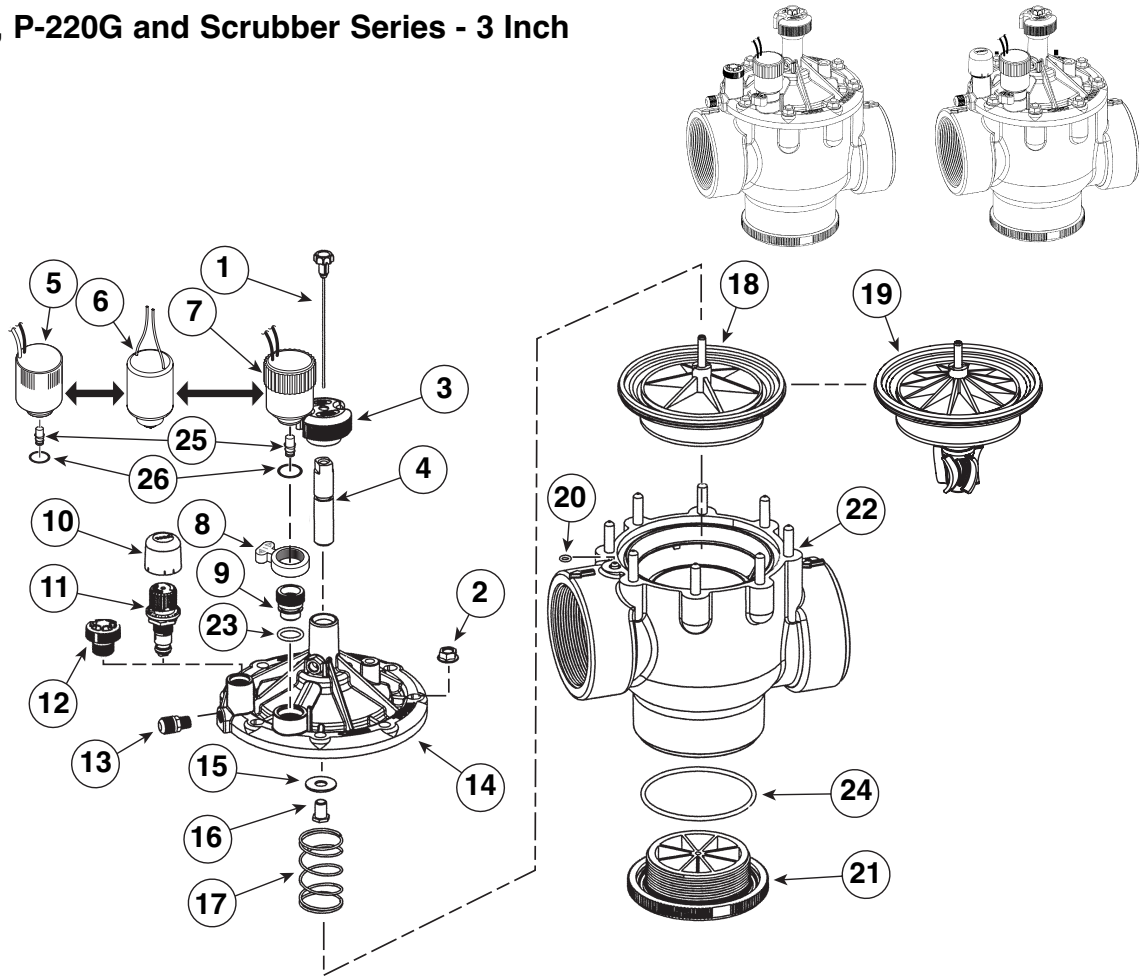
Item No.	Part No.	Description	Quantity Per Assy.
1	102-3756	Metering Rod Assy., P-220	1
2	845101	Hex Nut, Flanged	7
3	89-9780	Handle, Flow Control	1
4	102-0966	Stem Assy., Flow Control	1
5	102-2709	Solenoid, 24 VDC, Latching (2-Wire Decoder)	1
6	102-7053	Solenoid Assy. w/ Plunger, 24 VAC, 60 Hz	1
6	102-7054	Solenoid Assy. w/ Plunger, 24 VAC, 50 Hz	1
7	102-6316	Solenoid, 60 Hz, SpikeGuard (P-220G Only)	1
8	606902	Handle, Bleed Plug	1
9	102-4787	Bleed Plug,	1
10	835203	Cap, Vandal Resistant (Pressure Regulating Models Only)	1
11	*EZR-30	Regulator Module, 30 psi (Includes Item 10)	1
11	*EZR-100	Regulator Module, 100 psi (Includes Item 10)	1
12	89-9521	Blanking Plug Assy. (Non-pressure Regulating Models Only)	1
13	834101	Valve Assy., Schrader	1
14	102-0366	Bonnet Assy.	1
15	856202	Stem Washer	1
16	1033-H	Bushing	1
17	H1040	Spring	1
18	102-0770	Diaphragm Assy.	1
19	1054-H	O-Ring, Body	1
20	209406	Plug, Body, NPT & BSP	1
21	-----	Valve Body Assy.	1
22	1009701	O-Ring, Bleed Plug	1
23	363-4764	O-Ring, Body Plug	1
24	89-9562	Plunger Assembly (Used with Items 5 & 7)	1
25	360-0220	O-Ring, 0.070" x 0.551" x 0.691", EL & PR (Used with Items 5 & 7)	1
	SERVICE ITEMS		
	102-0847	Assy., Kit, Service, 1" & 1.5", P-220 (Includes Items 1-3, 11-13 and 16)	
		* Order Through Finished Goods Distribution System-Minneapolis	

P-220, P-220G and Scrubber Series - 2 Inch



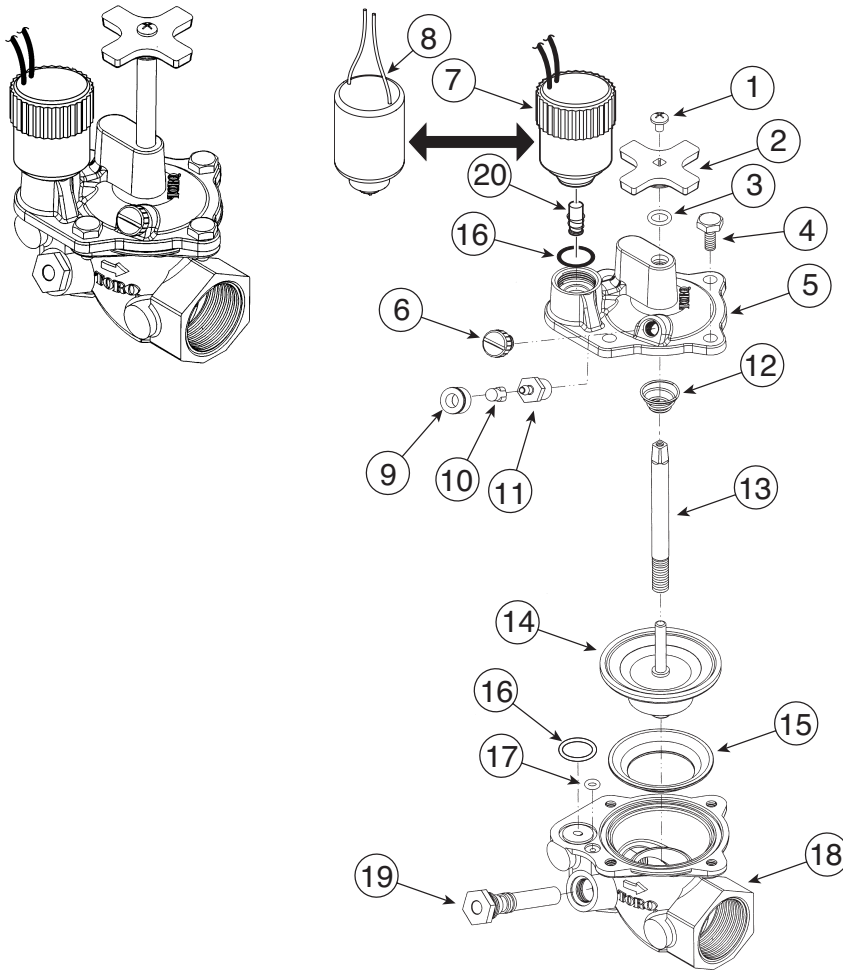
Item No.	Part No.	Description	Quantity Per Assy.
1	102-3756	Metering Rod Assy., P-220	1
2	845102	Hex Nut, Flanged	9
3	89-9780	Handle, Flow Control	1
4	102-0967	Stem Assy., Flow Control	1
5	102-2709	Solenoid, 24 VDC, Latching (2-Wire Decoder)	1
6	102-7053	Solenoid Assy. w/ Plunger, 24 VAC, 60 Hz	1
6	102-7054	Solenoid Assy. w/ Plunger, 24 VAC, 50 Hz	1
7	102-6316	Solenoid, 60 Hz, SpikeGuard (P-220G Only)	1
8	606902	Handle, Bleed Plug	1
9	102-4787	Bleed Plug, New	1
10	835203	Cap, Vandal Resistant (Pressure Regulating Models Only)	1
11	*EZR-30	Regulator Module, 30 psi (Includes Item 10) (Pressure Regulating Models Only)	1
11	*EZR-100	Regulator Module, 100 psi (Includes Item 10) (Pressure Regulating Models Only)	1
12	89-9521	Blanking Plug Assy. (Non-pressure Regulating Models Only)	1
13	834101	Valve Assy., Schrader	1
14	102-0367	Bonnet Assy.	1
15	1126	Stem Washer	1
16	1033-H	Bushing	1
17	1041	Spring	1
18	934501	Diaphragm Assy.	1
19	-----	Diaphragm Assy., Scrubber Models Only (See item P220S-KIT-08)	1
20	1054-H	O-Ring, Body	1
21	209506-H	Plug, Body, NPT	1
21	209507	Plug, Body, BSP	1
22	-----	Valve Body Assy.	1
23	1009701	O-Ring, Bleed Plug	1
24	RS100-238-70N	O-Ring, Body Plug	1
25	89-9562	Plunger Assembly (Used in Items 5 & 7)	1
26	360-0220	O-Ring, 0.070" x 0.551" x 0.691", EL & PR (Used in Items 5 & 7)	1
		SERVICE ITEMS	
	102-0848	Assy., Kit, Service, 2" & 3" P-220 (Includes Items 1-3, 11-13 and 16)	
	*P220S-KIT-08	Assy., Kit, Service, 2" & 3" P-220 (Includes Items 1-3, 11-13 and 16)	
		* Order Through Finished Goods Distribution System--Minneapolis	

P-220, P-220G and Scrubber Series - 3 Inch



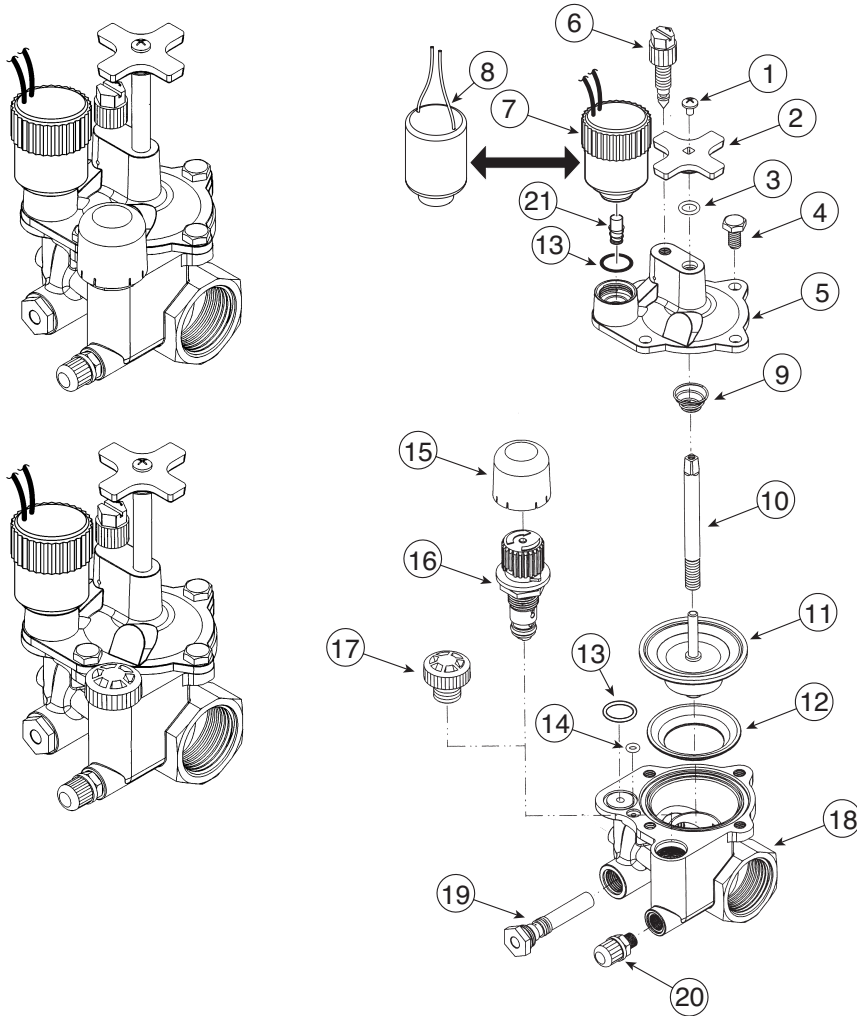
Item No.	Part No.	Description	Quantity Per Assy.
1	102-3756	Metering Rod Assy., P-220	1
2	845102	Hex Nut, Flanged	9
3	89-9780	Handle, Flow Control	1
4	102-0967	Stem Assy., Flow Control	1
5	102-2709	Solenoid, 24 VDC, Latching (2-Wire Decoder)	1
6	102-7053	Solenoid Assy. w/ Plunger, 24 VAC, 60 Hz	1
6	102-7054	Solenoid Assy. w/ Plunger, 24 VAC, 50 Hz	1
7	102-6316	Solenoid, 60 Hz, SpikeGuard (P-220G Only)	1
8	606902	Handle, Bleed Plug	1
9	102-4787	Bleed Plug, New	1
10	835203	Vandal Cap (Pressure Regulating Models Only)	1
11	*EZR-30	Regulator Module, 30 psi (Includes Item 10) (Pressure Regulating Models Only)	1
11	*EZR-100	Regulator Module, 100 psi (Includes Item 10) (Pressure Regulating Models Only)	1
12	89-9521	Blanking Plug Assy. (Non-pressure Regulating Models Only)	1
13	834101	Valve Assy., Schrader	1
14	102-0367	Bonnet Assy.	1
15	1126	Stem Washer	1
16	1033-H	Bushing	1
17	1041	Spring	1
18	935001	Diaphragm Assy.	1
19	-----	Diaphragm Assy., Scrubber Models Only (See item P220S-KIT-00)	1
20	1054-H	O-Ring, Body	1
21	209605-H	Plug, Body, NPT	1
21	209606-H	Plug, Body, BSP	1
22	-----	Valve Body Assy.	1
23	1009701	O-Ring, Bleed Plug	1
24	RS100-238-70N	O-Ring, Body Plug	1
25	89-9562	Plunger Assembly (Used with Items 5 & 7)	1
26	360-0220	O-Ring, 0.070" x 0.551" x 0.691", EL & PR (Used with Items 5 & 7)	1
		SERVICE ITEMS	
	102-0848	Assy., Kit, Service, 2" & 3" P-220 (Includes Items 1-3, 11-13 and 16)	
	*P220S-KIT-00	Diaphragm Kit, Scrubber, 3"	
		* Order Through Finished Goods Distribution System—Minneapolis	

220 Series, 1 Inch (Previous 210 Series, 1 Inch)



Item No.	Part No.	Description	Quantity Per Assy.
1	360-0498	Screw, Machine 8-32 x 1/4"	
2	9-4527	Handle, Cross	1
3	360-0107	O-Ring, 0.070" x 0.301" x 0.441"	1
4	360-0595	Screw, Machine, 1/4-20 x 1/2"	4
5	-----	Cap, Valve, EL	1
5	-----	Cap, Valve, NO	1
6	89-9566	Screw Assy., External Bleed, EL	1
7	102-6316	Solenoid, SpikeGuard, 24 VAC, 60 Hz	1
8	102-7053	Solenoid Assy. w/ Plunger, 24 VAC, 60 Hz	1
8	102-7054	Solenoid Assy. w/ Plunger, 24 VAC, 50 Hz	1
9	*900-40	Retainer, Tube, NO	1
10	89-8157	Cap, 1/4" Poly, NO	1
11	-----	Adapter, 1/8 NPT x 1/4" Poly, NO	1
12	9-5146	Spring, Diaphragm	1
13	89-6507	Stem, Flow Control	1
14	9-5359	Diaphragm Assy., 1" Brass	1
15	35-2639	Support, Diaphragm	1
16	360-0220	O-Ring, 0.070" x 0.551" x 0.691", EL & PR (Used with Item 7)	2
17	360-0530	O-Ring, 0.070" x 0.145" x 0.285", EL	1
18	-----	Body, Brass	1
19	102-0690	Filter Assy., Metering, 1" & 1.5"	1
20	89-9562	Plunger Assembly (Used with Item 7)	1
		* Order Through Finished Goods Distribution System—Minneapolis	

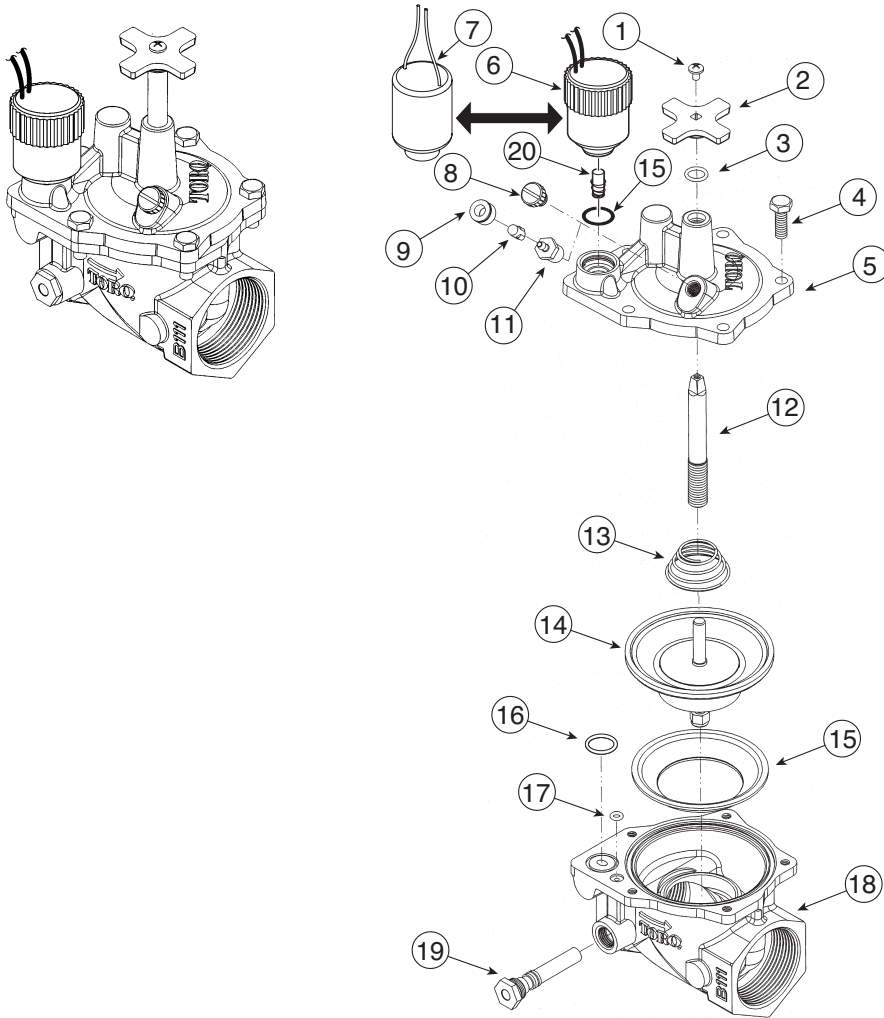
220 Series & 220G 1 Inch, Pressure Regulated



Item No.	Part No.	Description	Quantity Per Assy.
1	360-0498	Screw, Machine 8-32 x 1/4"	1
2	9-4527	Handle, Cross	1
3	360-0107	O-Ring, 0.070" x 0.301" x 0.441"	1
4	360-0595	Screw, Machine, 1/4-20 x 1/2"	4
5	89-9538	Cap, Valve	1
6	102-0208	Bleed Screw Assy.	1
7	102-6316	Solenoid, SpikeGuard, 24 VAC, 60 Hz	1
8	102-7053	Solenoid Assy. w/ Plunger, 24 VAC, 60 Hz	1
8	102-7054	Solenoid Assy. w/ Plunger, 24 VAC, 50 Hz	1
9	9-5146	Spring, Diaphragm	1
10	89-6507	Stem, Flow Control	1
11	9-5359	Diaphragm Assy., 1"	1
12	35-2639	Support, Diaphragm	1
13	360-0220	O-Ring, 0.070" x 0.551" x 0.691" (Used with Item 7)	2
14	360-0530	O-Ring, 0.707" x 0.145" x 0.285"	1
15	835203	Cap, Vandal Resistant (Pressure Regulating Models Only)	1
16	*EZR-30	Regulator Module, 30 psi (Includes Item 15)	1
16	*EZR-100	Regulator Module, 100 psi (Includes Item 15)	1
17	89-9521	Blanking Plug Assy. (Non-pressure Regulating Models Only)	1
18	----	Body, Brass (Pressure Regulated)	1
19	102-0690	Filter Assy., Metering, 1"-1.5"	1
20	834101	Valve Assy., Schrader	1
21	89-9562	Plunger Assembly (Used with Item 7)	1

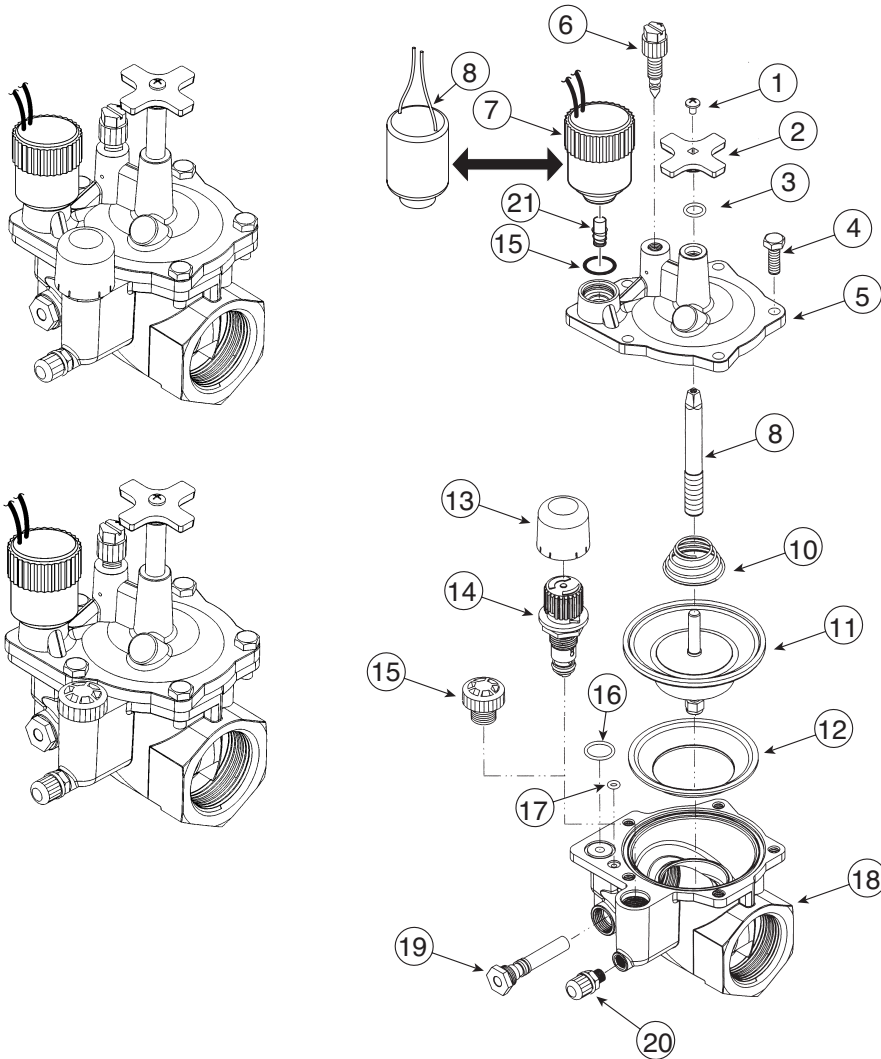
* Order Through Finished Goods Distribution System—Minneapolis

220 Series, 1.25 and 1.5 Inch (Previous 210 Series, 1.25 and 1.5 Inch)



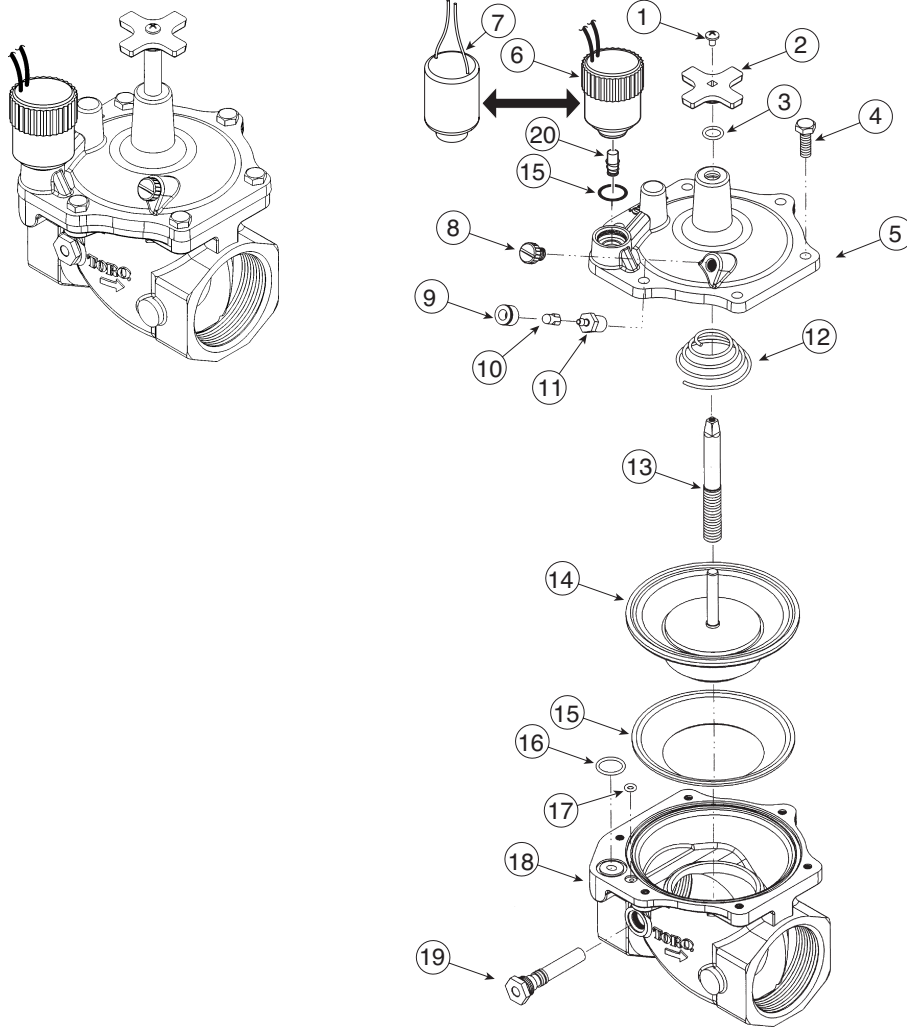
Item No.	Part No.	Description	Quantity Per Assy.
1	360-0498	Screw, Machine 8-32 x 1/4"	1
2	9-4527	Handle, Cross	1
3	360-0493	O-Ring, 0.070" x 0.364" x 0.504"	1
4	360-0499	Screw, Machine, 1/4-20 x 3/4"	5
5	-----	Cap, Valve, EL	1
5	89-5827	Cap, Valve, NO	1
6	102-6316	Solenoid, SpikeGuard, 24 VAC, 60 Hz	1
7	102-7053	Solenoid Assy. w/ Plunger, 24 VAC, 60 Hz	1
7	102-7054	Solenoid Assy. w/ Plunger, 24 VAC, 50 Hz	1
8	89-9566	Screw Assy., External Bleed, EL	1
9	*900-40	Retainer Tube, NO	1
10	89-8157	Cap, 1/4" Poly, NO.	1
11	-----	Adapter, 1/8 NPT x 1/4" Poly, NO	1
12	9-4424	Stem, Flow Control	1
13	102-0637	Spring, Diaphragm	1
14	9-5361	Diaphragm Assy., 1.5" & 1.25"	1
15	35-2452	Support, Diaphragm	1
16	360-0220	O-Ring, 0.070" x 0.551" x 0.691", EL (Used with Item 6)	2
17	360-0530	O-Ring, 0.070" x 0.145" x 0.285", EL	1
18	-----	Body, Brass	1
19	102-0690	Filter Assy., Metering 1"-1.5"	1
20	89-9562	Plunger Assembly (Used with Item 6)	1
* Order Through Finished Goods Distribution System—Minneapolis			

220 Series & 220G, 1.25 and 1.5 Inch, Pressure Regulated



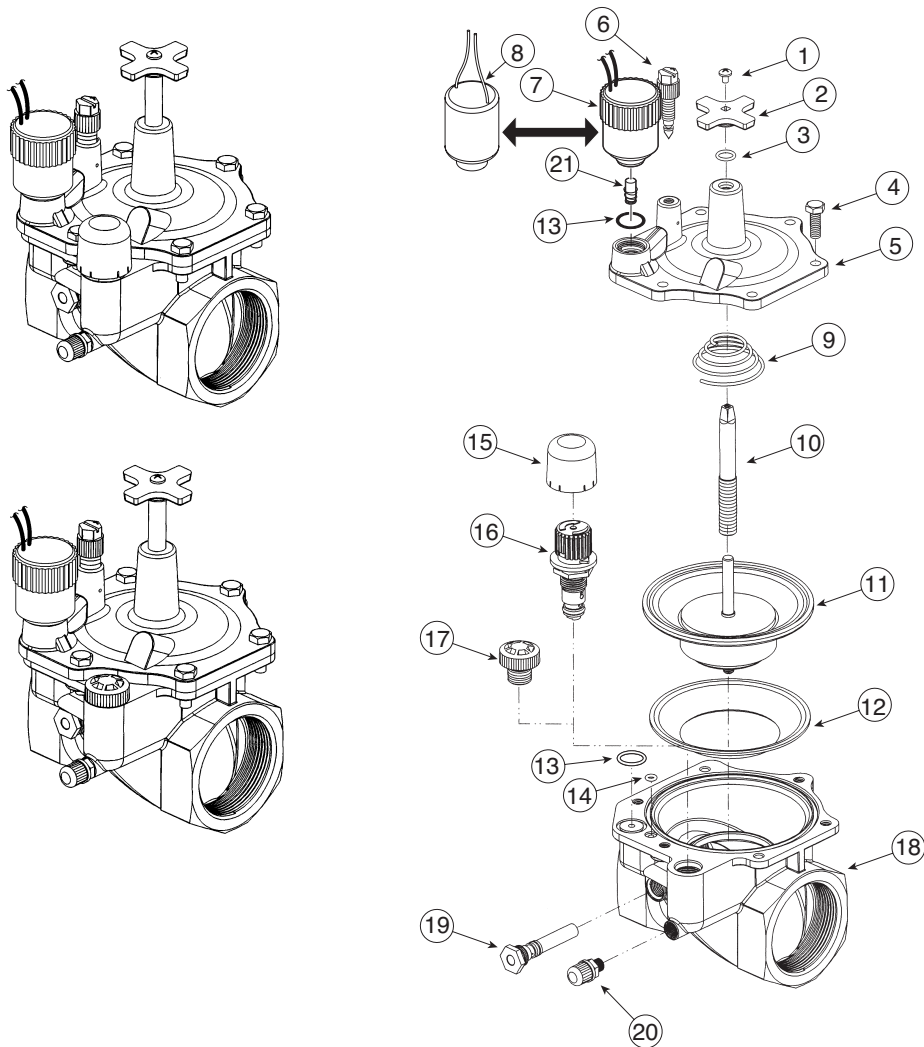
Item No.	Part No.	Description	Quantity Per Assy.
1	360-0498	Screw, Machine 8-32 x 1/4"	1
2	9-4527	Handle, Cross	1
3	360-0493	O-Ring, 0.070" x 0.364" x 0.504"	1
4	360-0499	Screw, Machine, 1/4-20 x 3/4"	5
5	89-9539	Cap, Valve	1
6	102-0208	Bleed Screw Assy.	1
7	102-6316	Solenoid, SpikeGuard, 24 VAC, 60 Hz	1
8	102-7053	Solenoid Assy. w/ Plunger, 24 VAC, 60 Hz	1
8	102-7054	Solenoid Assy. w/ Plunger, 24 VAC, 50 Hz	1
8	9-4424	Stem, Flow Control	1
10	102-0637	Spring, Diaphragm	1
11	9-5361	Diaphragm Assy.	1
12	35-2452	Support, Diaphragm	1
13	835203	Vandal Cap (Pressure Regulating Models Only)	1
14	*EZR-30	Regulator Module, 30 psi (Includes Item 13) (Pressure Regulating Models Only)	1
14	*EZR-100	Regulator Module, 100 psi Includes Item 13) (Pressure Regulating Models Only)	1
15	89-9521	Blanking Plug Assy. (Non-pressure Regulating Models Only)	1
16	360-0220	O-Ring, 0.070" x 0.551" x 0.691" (Used with Item 7)	2
17	360-0530	O-Ring, 0.070" x 0.145" x 0.285"	1
18	-----	Body, Brass (Pressure Regulated)	1
19	102-0690	Filter Assy., Metering, 1"-1.5"	1
20	834101	Valve Assy., Schrader	1
21	89-9562	Plunger Assembly (Used with Item 7)	1
* Order Through Finished Goods Distribution System—Minneapolis			

220 Series, 2 Inch (Previous 210 Series, 2 Inch)



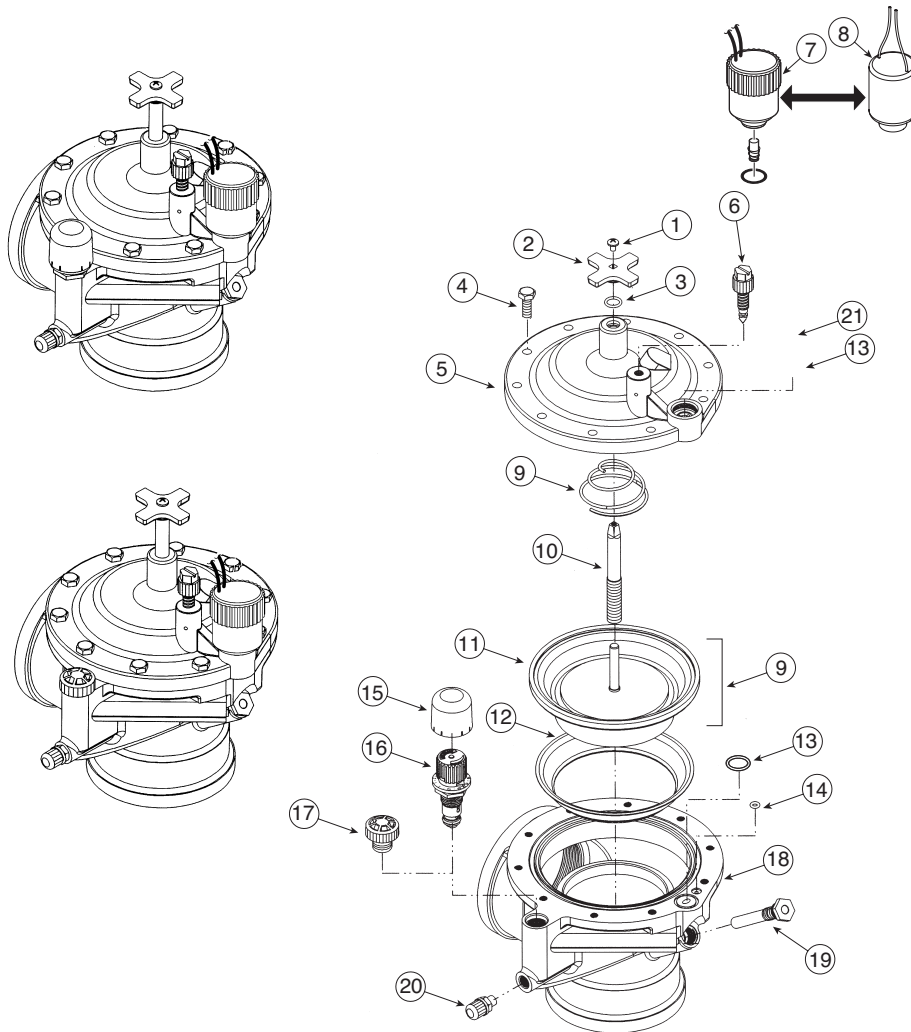
Item No.	Part No.	Description	Quantity Per Assy.
1	360-0498	Screw, Machine 8-32 x 1/4"	1
2	9-4527	Handle, Cross	1
3	360-0493	O-Ring, 0.070" x 0.364" x 0.504"	1
4	360-0499	Screw, Machine, 1/4-20 x 3/4"	6
5	89-9544	Cap, Valve, EL	1
5	-----	Cap, Valve, NO	1
6	102-6316	Solenoid Assy., SpikeGuard, 24 VAC, 60 Hz	1
7	102-7053	Solenoid Assy. w/ Plunger, 24 VAC, 60 Hz	1
7	102-7054	Solenoid Assy. w/ Plunger, 24 VAC, 50 Hz	1
8	89-9566	Screw Assy., External Bleed, EL	1
9	*900-40	Retainer Tube, NO	1
10	89-8157	Cap, 1/4" Poly, NO	1
11	-----	Adapter, 1/8 NPT x 1/4 Poly, NO.	1
12	89-1652	Spring, Diaphragm	1
13	9-4543	Stem, Flow Control	1
14	9-5363	Diaphragm Assy., 2"	1
15	9-4541	Support, Diaphragm	1
16	360-0220	O-Ring, 0.070" x 0.551" x 0.691", EL (Used with Item 6)	2
17	360-0530	O-Ring, 0.070" x 0.145" x 0.285", EL	1
18	-----	Body, Brass	1
19	102-0691	Filter Assy., Metering, 2"	1
20	89-9562	Plunger Assembly (Used with Item 6)	1
* Order Through Finished Goods Distribution System—Minneapolis			

220 and 220G Series, 2 Inch, Pressure Regulated



Item No.	Part No.	Description	Quantity Per Assy.
1	360-0498	Screw, Machine 8-32 x 1/4"	1
2	9-4527	Handle, Cross	1
3	360-0493	O-Ring, 0.070" x 0.364" x 0.504"	1
4	360-0499	Screw, Machine, 1/4-20 x 3/4"	6
5	89-9540	Cap, Valve	1
6	102-0208	Bleed Screw Assy.	1
7	102-6316	Solenoid, SpikeGuard, 24 VAC, 60 Hz	1
8	102-7053	Solenoid Assy. w/ Plunger, 24 VAC, 60 Hz	1
8	102-7054	Solenoid Assy. w/ Plunger, 24 VAC, 50 Hz	1
9	89-1652	Spring, Diaphragm	1
10	9-4543	Stem, Flow Control	1
11	9-5363	Diaphragm Assy.	1
12	9-4541	Support, Diaphragm	1
13	360-0220	O-Ring, 0.070" x 0.551" x 0.691" (Used with Item 7)	2
14	360-0530	O-Ring, 0.070" x 0.145" x 0.285"	1
15	835203	Cap, Vandal Resistant (Pressure Regulating Models Only)	1
16	*EZR-30	Regulator Module, 30 psi (Includes Item 16) (Pressure Regulating Models Only)	1
16	*EZR-100	Regulator Module, 100 psi (Includes Item 16) (Pressure Regulating Models Only)	1
17	89-9521	Blanking Plug Assy. (Non-Pressure Regulating Models Only)	1
18	-----	Body, Brass	1
19	102-0691	Filter Assy., Metering, 2"	1
20	834101	Valve Assy., Schrader (Pressure Regulating Models Only)	1
21	89-9562	Plunger Assembly (Used with Item 7)	1
		* Order Through Finished Goods Distribution System—Minneapolis	

220 Series, 2.5 and 3 Inch



Item No.	Part No.	Description	Quantity Per Assy.
1	360-0498	Screw, Machine #8-32 x 1/4"	1
2	9-4527	Handle, Cross	1
3	360-0493	O-Ring, 0.070" x 0.364" x 0.504"	1
4	360-0499	Screw, Machine, 1/4-20 x 3/4"	10
5	89-9541	Cap, Valve	1
6	102-0208	Bleed Screw Assy.	1
7	102-6316	Solenoid, SpikeGuard 24 VAC, 60 Hz	1
8	102-7053	Solenoid Assy. w/ Plunger, 24 VAC, 60 Hz	1
8	102-7054	Solenoid Assy. w/ Plunger, 24 VAC, 50 Hz	1
9	89-1744	Spring, Diaphragm	1
10	9-4543	Stem, Flow Control	1
11	89-6421	Diaphragm Assy.	1
12	89-8126	Support, Diaphragm	1
13	360-0220	O-Ring, 0.070" x 0.551" x 0.691" (Used with Item 7)	2
14	360-0530	O-Ring, 0.070" x 0.145" x 0.285"	1
15	835203	Cap, Vandal Resistant (Pressure Regulating Models Only)	1
16	*EZR-30	Regulator Module, 30 psi (Includes Item 15) (Pressure Regulating Models Only)	1
16	*EZR-100	Regulator Module, 100 psi (Includes Item 15) (Pressure Regulating Models Only)	1
17	89-9521	Blanking Plug Assy. (Non-pressure Regulating Models Only)	1
18	-----	Body, Brass	1
19	102-0692	Filter Assy., Metering	1
20	834101	Valve Assy., Schrader	1
21	89-9562	Plunger Assembly (Used with Item 7)	1

* Order Through Finished Goods Distribution System—Minneapolis