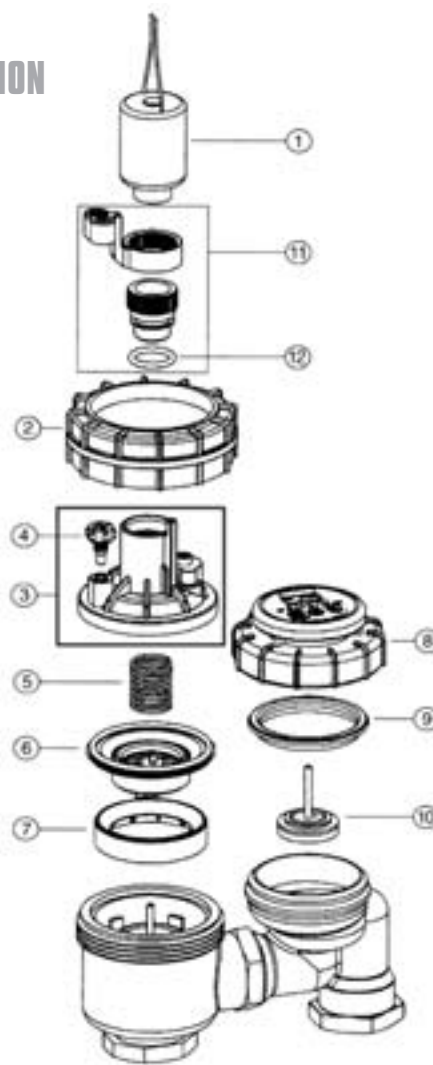


VALVES

2700 SERIES ELECTRIC ANTI-SIPHON

MODEL NUMBERS:

- 2711DPR
- 2713DPR



REF.#	DESCRIPTION	2711DPR PART NO.	2713DPR PART NO.
1	Solenoid Assembly, 24 VAC, 60 Hz	R811-24VACG	R811-24VACG
1	Solenoid Assembly, 24 VAC, 50 Hz	588403	588403
2	Nut Cap	549101	549101
3	Cover Assembly Flow Adjust	534801	534801
4	Bleed Screw	100229	100229
5	Spring	100235	100235
6	Diaphragm Assembly	100236	100236
7	Divider	100237-H	100237-H
8	Anti-siphon Cover Assembly	R217104	R519108
9	O-Ring (Anti-siphon)	100241	100233
10	Stem Assembly	100246	100234-H
11	Manual Bleed Assembly	R606902	R606902
12	O-Ring	R1631	R1631