

Lavatory Drains



PRESFLO®
Model 801-PF
Without Overflow

PUSH PULL®
Model 800-PP
With Overflow



Model 800/801-PF PRESFLO®

Model 800/801-PP PUSH PULL®

SPECIFICATIONS

FEATURES:

- Brass strainer bodies, stoppers, and drop tubes.
- Designed for heavy-duty use in hotels, motels, and rental property
- Replaceable stoppers available.

APPROVALS:

- Manufactured in compliance with ASME A112.18.2-2005/CSA B125.2-2005; TIL MSE-051.

PATENTS:

- <https://www.watcomfg.com/patents>

OPERATION:

- **PRESFLO®:** Push down on any edge of stopper to open or close.
- **PUSH PULL®:** Pull stopper knob up to open and push down to close.

PIPING:

- 7" Drop tube, 17g, chrome-plated brass, 3" thread length, 1.25" O.D.

OPTIONS:

- With or without overflow
- 7" and 12" plated drop tubes available
- Outside threads available on 801 models.

Finishes Available in the 800/801 Series:

Tub Closures:	PUSH PULL®	PRESFLO®
CP - Chrome Plated	•	•
AP - Aged Pewter	•	•
BB - Brushed Bronze	•	•
BN - Brushed Nickel	•	•
BZ - Oil-Rubbed Bronze	•	•
CB - Chrome Brushed	•	•
NP - Nickel Polished	•	•
PB - Polished Brass	•	•
WI - Wrought Iron	•	•



ADA PRESFLO® (PF) only

See price list for complete item numbers and available options.

When ordering, please specify complete item number and any applicable option codes.

WATCO



For More Information Contact:
WATCO Manufacturing Company
1220 South Powell Road
Independence, MO 64057-2724
Ph. 816-796-3900 • FAX 816-796-0875

Always a step ahead

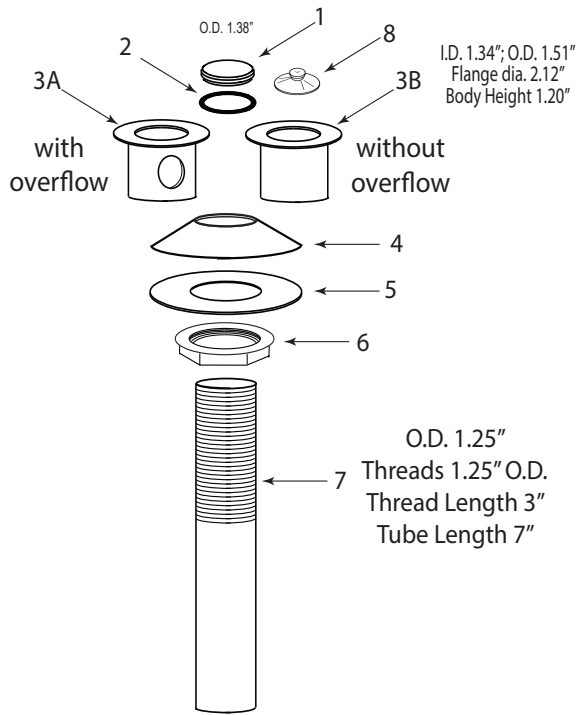
www.watcomfg.com

© 2020 WATCO Mfg. Co.

Designs and dimensions of product are subject to change without notice.

Form: 800-801 Lav Rev.100 10/20

800/801-PF Series Parts List

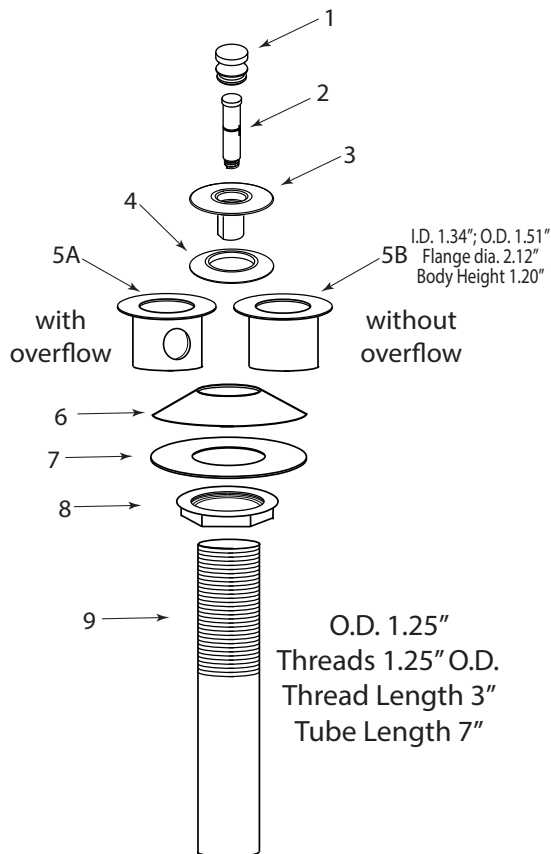


•• 801-PF only: #3. 11041__* if O.D. threads

Item	Part #	800-PF WITH OVERFLOW
1	11150__*	PF metal stopper, for 1.625" fine thread
2	11131	O-Ring/PRESFLO® Seal, for fine thread
3A	11050__*	Strainer Body with Overflow
4	11509	Basin Wedge Seal
5	10697	Basin Flat Backing Washer
6	41585	Basin Zinc Wedge Nut
7	41029CP	Basin Drop Tube, 7" chrome-plated brass
	41037CP	Basin Drop Tube, 12" chrome-plated brass
	41029__*	Basin Drop Tube, 7" plated
	41037__*	Basin Drop Tube, 12" plated
8	96039	Suction Cup for removing stopper
Item	Part #	801-PF WITHOUT OVERFLOW
1	11150__*	PF metal stopper, for 1.625" fine thread
2	11131	O-Ring/PRESFLO® Seal, for fine thread
3B	11040__*••	Strainer Body without Overflow
4	11509	Basin Wedge Seal
5	10697	Basin Flat Backing Washer
6	41585	Basin Zinc Wedge Nut
7	41029CP	Basin Drop Tube, 7" chrome-plated
	41037CP	Basin Drop Tube, 12" chrome-plated
	41029__*	Basin Drop Tube, 7" plated
	41037__*	Basin Drop Tube, 12" plated
8	96039	Suction Cup for removing stopper

* Please indicate desired finish

800/801-PP Series Parts List



•• 801-PP only: #5. 11432__* if O.D. threads

Item	Part #	800-PP WITH OVERFLOW
1	01010__*	PP/LT Knob, Brass
2	11584	PP 3/8" Pin (11508) and Friction Ring (11504)
3	01013__*	PP Stopper, Brass
4	11507	PP Seal, 1-5/16" diameter
5A	11430__*••	Basin PP Strainer Body, Brass, with Overflow
6	11509	Basin Wedge Seal
7	10697	Basin Flat Backing Washer
8	41585	Basin Zinc Wedge Nut
9	41029CP	Basin Drop Tube, 7" chrome-plated brass
	41037CP	Basin Drop Tube, 12" chrome-plated brass
	41029__*	Basin Drop Tube, 7" plated
	41037__*	Basin Drop Tube, 12" plated
Item	Part #	801-PP WITHOUT OVERFLOW
1	01010__*	PP/LT Knob, Brass
2	11584	PP 3/8" Pin (11508) and Friction Ring (11504)
3	01013__*	PP Stopper, Brass
4	11507	PP Seal, 1-5/16" diameter
5B	11431__*	Basin PP Strainer Body, Brass, without Overflow
6	11509	Basin Wedge Seal
7	10697	Basin Flat Backing Washer
8	41585	Basin Zinc Wedge Nut
9	41029CP	Basin Drop Tube, 7" chrome-plated brass
	41037CP	Basin Drop Tube, 12" chrome-plated brass
	41029__*	Basin Drop Tube, 7" plated
	41037__*	Basin Drop Tube, 12" plated

* Please indicate desired finish