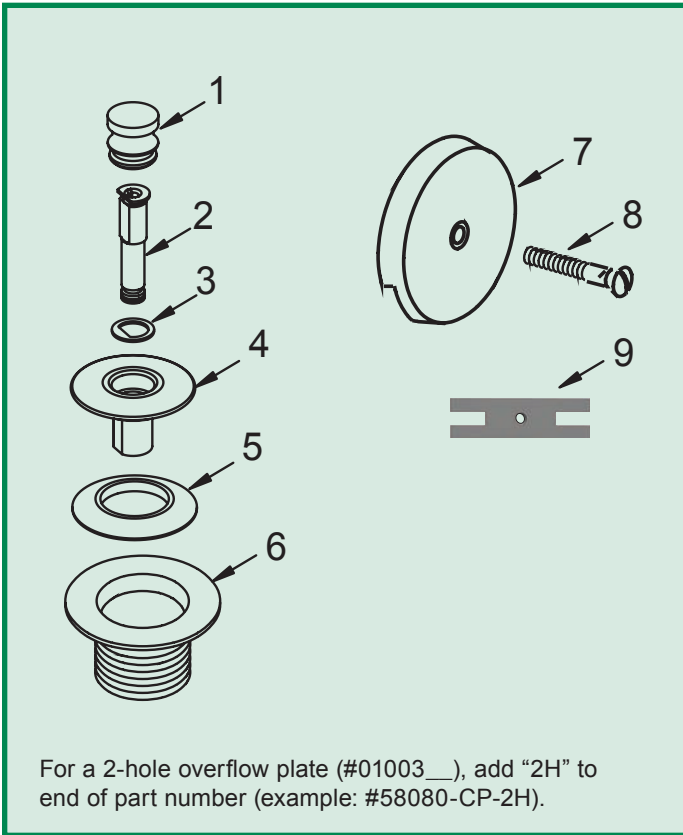


LIFT AND TURN TRIM KIT PARTS LIST



Item	Part #	Description
WITH COARSE-THREAD (11.5) BODY:		
1.	01010__	Knob, Brass
2.	11709	Lift and Turn "D" Pin, full length, 3/8"
3.	11088	Lift and Turn "D" Ring
4.	01013__	PUSH PULL® Stopper, Brass
5.	11507	PUSH PULL® Seal, 1 1/16" dia.
6.	01016__	Strainer Body, Brass, CT: 1.865"-11.5-1.25"
7.	01002__	1-Hole Overflow Plate, metal
8.	01024__	Overflow Plate Screw, Brass, 2.25"
9.	11641	Adapter Bar, aluminum
WITH FINE-THREAD (16) BODY:		
1.	01010__	Knob, Brass
2.	11709	Lift and Turn "D" Pin, full length, 3/8"
3.	11088	Lift and Turn "D" Ring
4.	01013__	PUSH PULL® Stopper, Brass
5.	11507	PUSH PULL® Seal, 1 1/16" dia.
6.	01022__	Strainer Body, Brass, FT: 1.625"-16-1.25"
7.	01002__	1-Hole Overflow Plate, metal
8.	01024__	Overflow Plate Screw, Brass, 2.25"
9.	11641	Adapter Bar, aluminum
__ Please indicate desired finish.		

Finishes Available in the LIFT AND TURN Series:

Trim Kits:	58080-58190	958190	58290-58390	58490
CP - Chrome Plated	•	•	•	•
AB - Antique Brass	•		•	•
AP - Aged Pewter	•	•	•	
BB - Brushed Bronze	•	•	•	
BN - Brushed Nickel	•	•	•	
BO - Bone	•	•	•	•
BS - Biscuit	•	•	•	
BZ - Oil-Rubbed Bronze	•	•	•	
CB - Chrome Brushed	•	•	•	•
NP - Nickel Polished	•	•	•	
PB - Polished Brass	•	•	•	•
WH - White	•	•	•	•
WI - Wrought Iron	•	•	•	