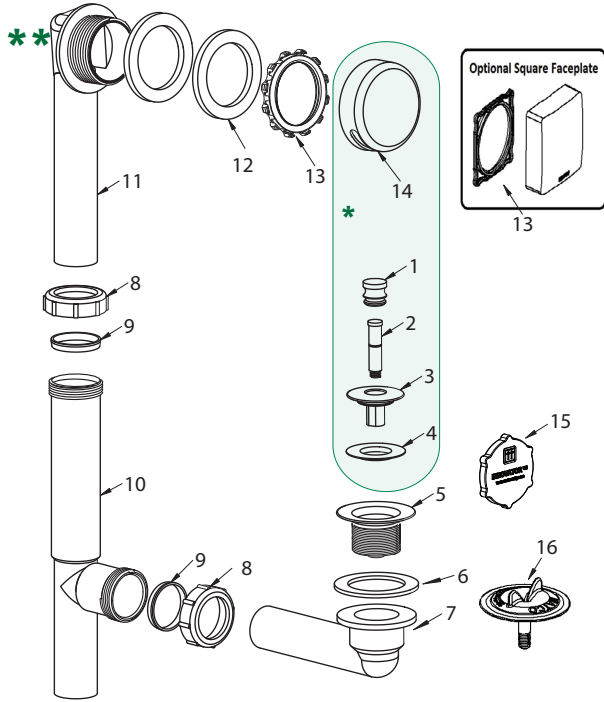


590 Series Parts List



Item	Part #	Description
1	01010CP	Knob, Brass
2	11584	Friction Ring (11504) and Post (11508)
3	01013CP	Stopper, Brass
4	11507	Seal, 1 1/16" dia.
5	01016CP	Strainer Body, Brass, 11/2" – 111/2
6	10696	Drain Ell Washer, 1.5", gray
7	11028	Drain Ell, Tubular ABS, Coarse Thread
	14028	Drain Ell, Tubular PVC, Coarse Thread
8	11580	Slip Joint Nut, ABS
	11581	Slip Joint Nut, PVC
9	11583	Slip Joint Polywasher
10	11000	Tee, Tubular ABS
	14000	Tee, Tubular PVC
11	11019	Innovator® Overflow Ell, Tubular ABS
	14019	Innovator® Overflow Ell, Tubular PVC
12	10675	Overflow Ell Washer, Foam
13	11121	ABS Star Retainer Nut for Innovator®
	11127	ABS Square Retainer Nut for Innovator®
14	01005CP	Overflow Plate for Innovator®
	01007CP	Square Face Plate for Innovator®
15	11114	Innovator® Test Cap
16	11577	Test Plug w/O-Ring-type Gasket

** RI: (example: 590-PPRI) Parts #5 thru #13, #15 and #16

* SF: (example: 900-PPSE) Parts #1 thru #4, and #14

OPTIONAL TUB CLOSURES FOR 590-SERIES BATH WASTES (PUSH PULL® ALSO SHOWN ABOVE)

PUSH PULL®
Coarse Thread

- 01010CP
01010__*
- 11584
- 01013CP
01013__*
- 11507
- 01016CP
01016__*

LIFT & TURN
Coarse Thread

- 01010CP
- 01010__*
- 11079
- 11088
- 11290CP
01013__*
- 11507
- 11492CP
01016__*

PRESFLO®
Coarse Thread

- 11145CP
11145__*
- 11132
- 11060CP
11060__*
- 96039:
Suction Cup
for removing
stopper

FOOT ACTUATED
Coarse Thread

- 38412-CP
38412-__*
- 11492-CP
01016-__*

*If finish other than Chrome is desired, please use this part number and indicate desired finish.

Finishes Available in the 590 Series:

Tub Closure:	PUSH PULL®	LIFT & TURN	PRESFLO®	FOOT ACT.
AP - Aged Pewter	•	•	•	
BB - Brushed Bronze	•	•	•	•
BN - Brushed Nickel	•	•	•	•
BO - Bone	•	•	•	
BS - Biscuit	•	•	•	
BZ - Oil-Rubbed Bronze	•	•	•	•
CB - Chrome Brushed	•	•	•	•
CP - Chrome Plated	•	•	•	•
NP - Nickel Polished	•	•	•	•
PB - Polished Brass	•	•	•	•
WH - White	•	•	•	•
WI - Wrought Iron	•	•	•	•

Roughing-In Dimensions

