



METAL-FAB INC.



DIRECT VENT PRODUCTS
DIRECT VENT CHIMNEY

FOR USE WITH GAS-FIRED APPLIANCES.

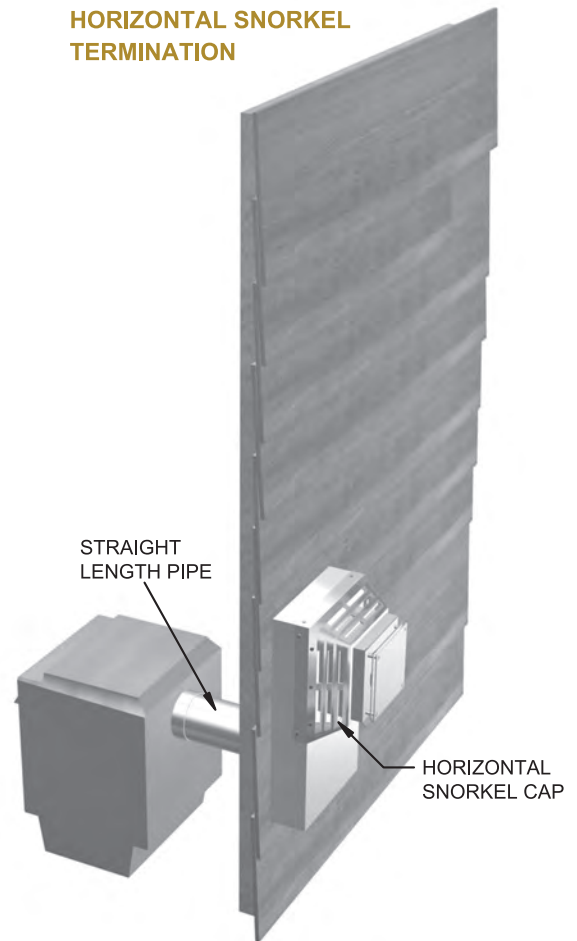
Metal-Fab Direct Vent Chimney offers the same high quality, attention to detail, and superior performance as our other vent products:

- Stainless steel inner flue, superior to aluminum for high heat applications.
- Size - 4x6 and 5x8 available.
- Unitized construction eliminates field assembly of inner flue and casing.
- Twist connections with SureLock™ provide quick, positive, fastener-free installation on 4x6 components.
- Precision pipe and fittings have been engineered for optimum appliance performance in both horizontal and vertical configurations. Field-applied sealant is not required.
- Laboratory tested and listed with each appliance.
- Wind, rain, and thermal performance-tested for safer, dependable operation.
- Black and galvanized casings available.
- All elbows swivel for easy alignment of system components.
- Single multi-adjustable length.
- 1 - 2 day shipping, 100% order fill.

New Technology

The special double-wall construction of Metal-Fab Direct Vent allows the use of direct vent stoves and fireplaces without burning air from inside the building. These direct vent appliances draw combustion air in from outdoors through the direct vent system, meaning that warm inside air is not being used to fuel the appliance. The appliance burns efficiently without creating fumes, condensation or smoke in the room.

DIRECT VENT - FREE STANDING HORIZONTAL SNORKEL TERMINATION



Better Design, Better Construction

Centering brackets are attached to the inner flue, but not to the casing. This unique design allows for expansion and contraction, but prevents possible misalignment of flue and casing. No need for field assembly of inner flue and casing.

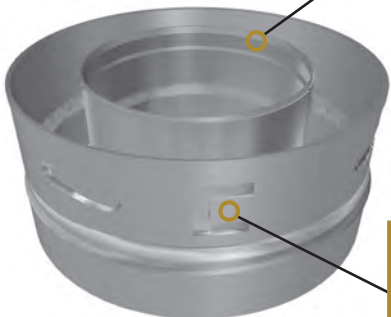
Chamfered ends on each end of the flue provide positive fit and easy slide-together assembly.

Exclusive SureLock™ locking system on 4x6 components makes connections fast, easy and tool-free. Just push pipes together, twist and push SureLock tab in. Easily unlocked if disassembly is necessary.

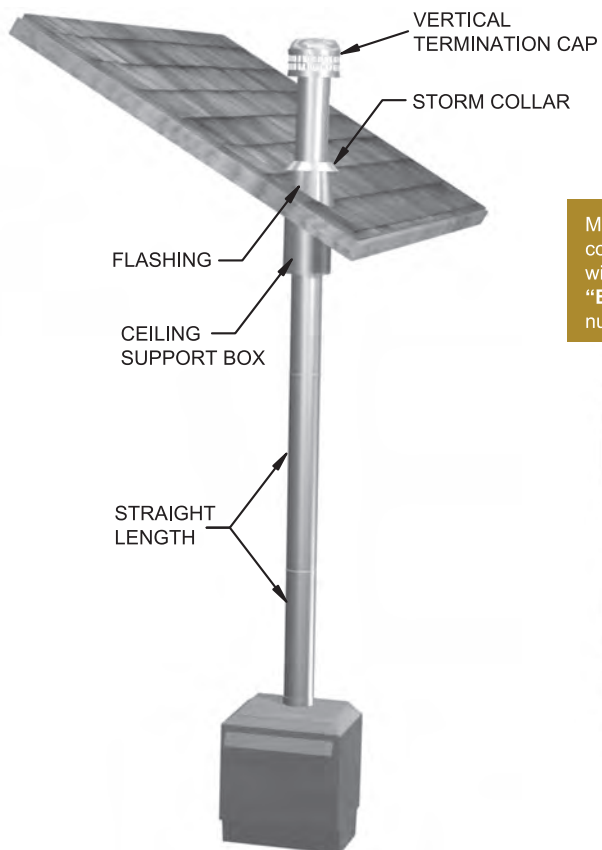
Inner flue is heavy gauge 430 stainless steel to fight corrosion and provide strength and integrity to the vent system.

Precision engineering and construction provide for an airtight connection without the need for a seal required by other brands. Also eliminates the need to apply sealant in the field.

Outer casing is heavy gauge steel with galvanized or durable black painted finish.



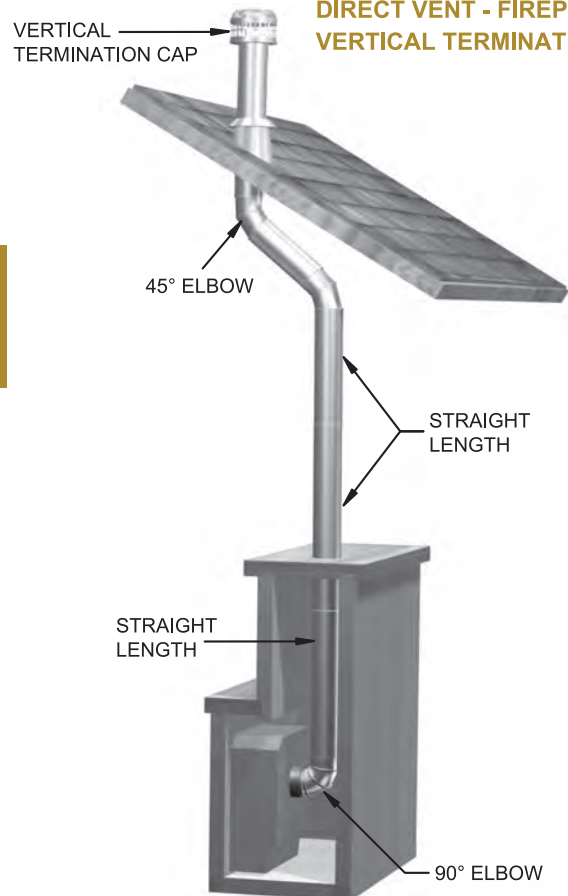
**DIRECT VENT - FREE STANDING
VERTICAL TERMINATION**



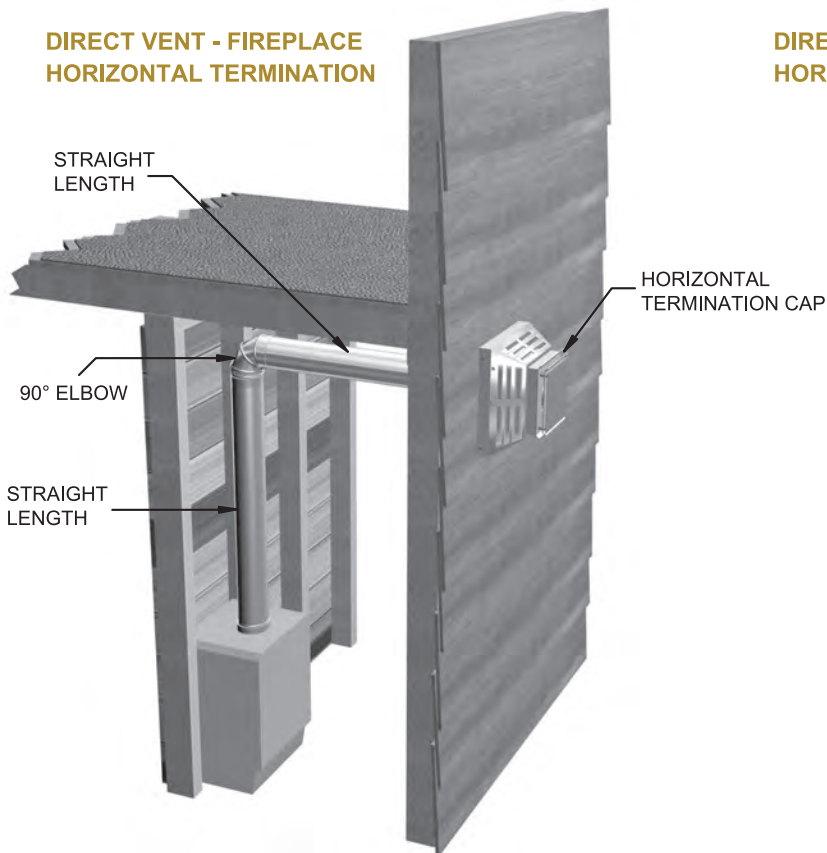
Metal-Fab Direct Vent components are available with black finish. Just add "B" to the end of the part numbers you are ordering.



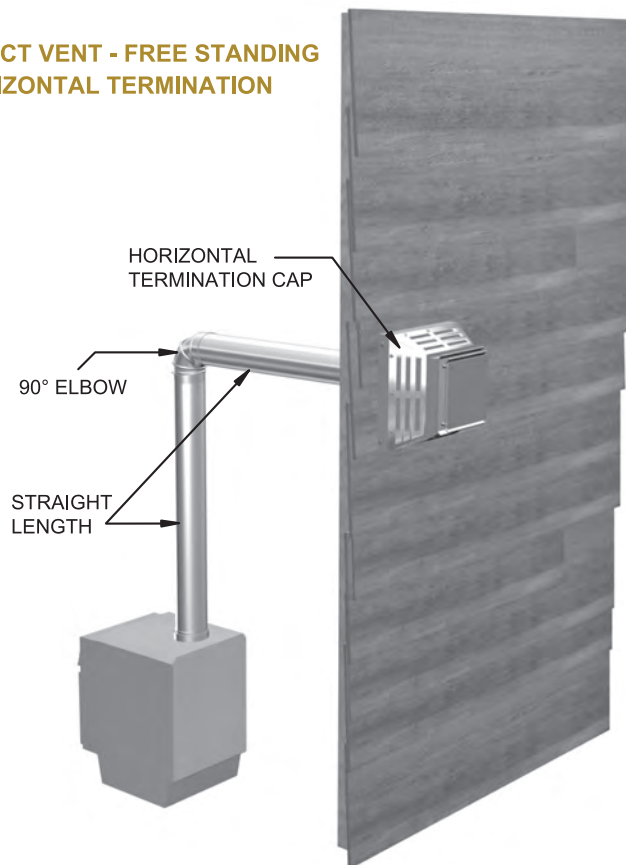
**DIRECT VENT - FIREPLACE
VERTICAL TERMINATION**



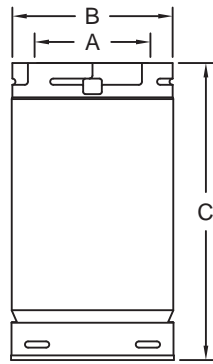
**DIRECT VENT - FIREPLACE
HORIZONTAL TERMINATION**



**DIRECT VENT - FREE STANDING
HORIZONTAL TERMINATION**

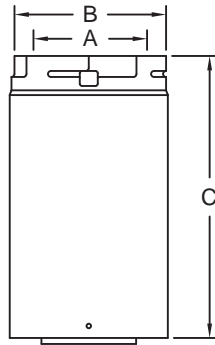


STRAIGHT LENGTH ASSEMBLY D48, D36, D24, D12, D6



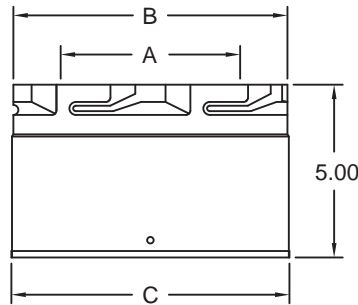
CAT NO.	A	B	C	CAT NO.	A	B	C
4D6	4.00"	6.50"	6.00"	5D6	5.00"	8.00"	6.00"
4D12	4.00"	6.50"	12.00"	5D12	5.00"	8.00"	12.00"
4D18	4.00"	6.50"	18.00"	5D18	5.00"	8.00"	18.00"
4D24	4.00"	6.50"	24.00"	5D24	5.00"	8.00"	24.00"
4D36	4.00"	6.50"	36.00"	5D36	5.00"	8.00"	36.00"
4D48	4.00"	6.50"	48.00"	5D48	5.00"	8.00"	48.00"

ADJUSTABLE LENGTH DAL



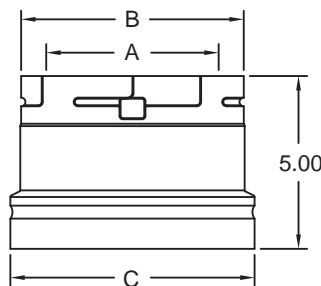
CAT NO.	A	B	C	ADJUSTABLE RANGE
4DAL	4.00"	6.50"	11.75"	3.00" TO 10.00"
5DAL	5.00"	8.00"	11.75"	3.00" TO 10.00"

DURAVENT ADAPTER DDA



CAT NO.	A	B	C
4DDA	4.00"	6.50"	6.64"
5DDA	5.00"	8.00"	8.01"

NAPOLEON ADAPTER DNA



CAT NO.	A	B	C
4DNA	4.00"	6.50"	7.03"
5DNA	5.00"	8.00"	8.08"