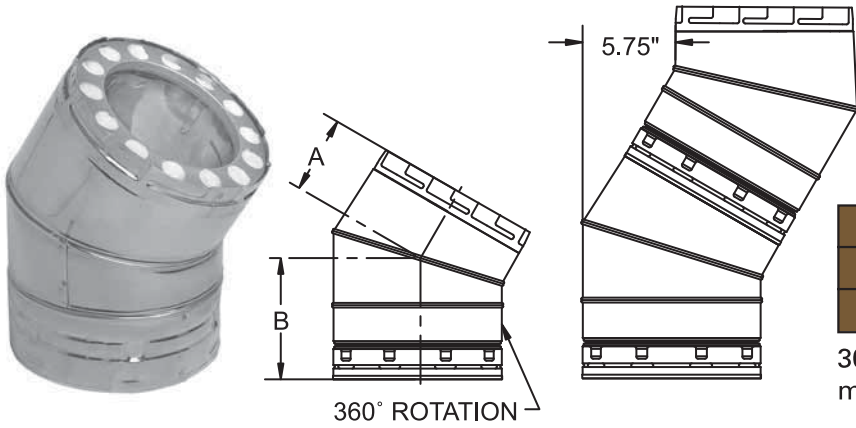


Note: Twist Lock Pipe overlaps 1/2" when joined together. Therefore, assembled length is 1/2" less than listed length.

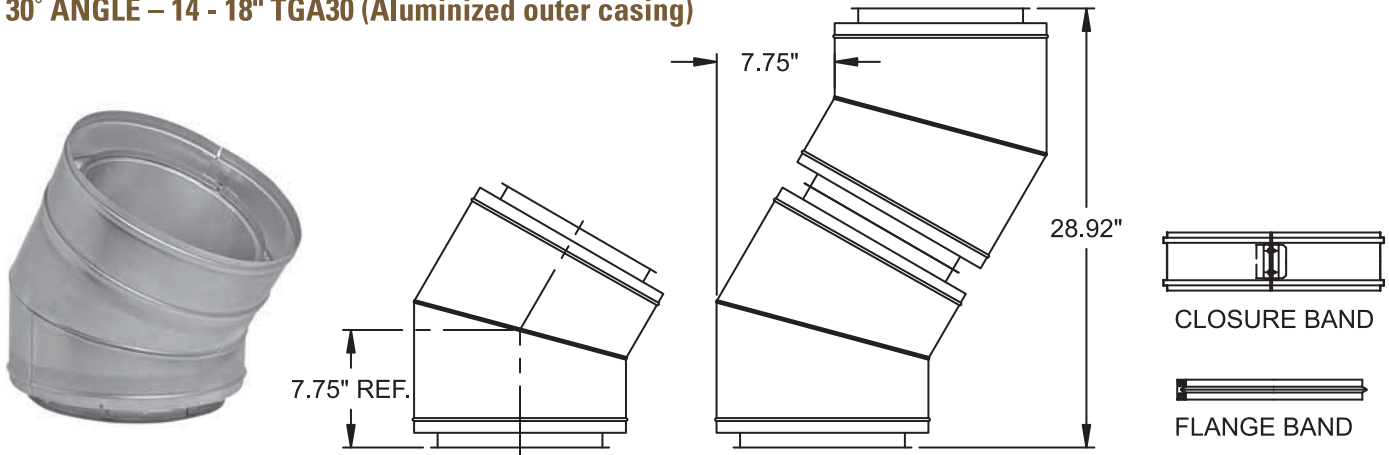
30° ANGLE – 6" - 12" TGSA30 (Stainless) and TGA30 (Galvanized)



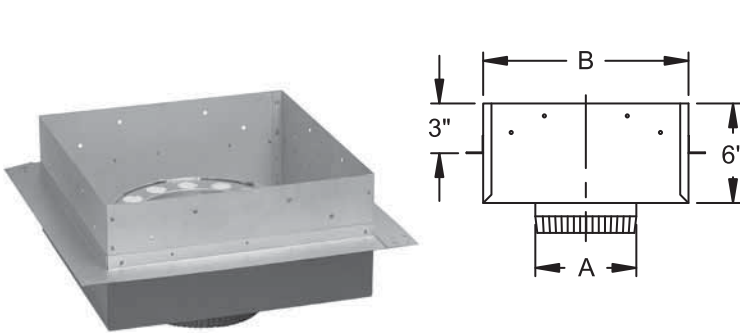
SIZE	6"	7"	8"	10"	12"
A	4.75	4.75	4.75	4.75	4.75
B	6.75	6.75	6.75	6.75	6.75

30° angles are used in pairs to obtain lateral movement where more angle is required.

30° ANGLE – 14 - 18" TGA30 (Aluminized outer casing)



PAINTED CEILING SUPPORT – TGCSP

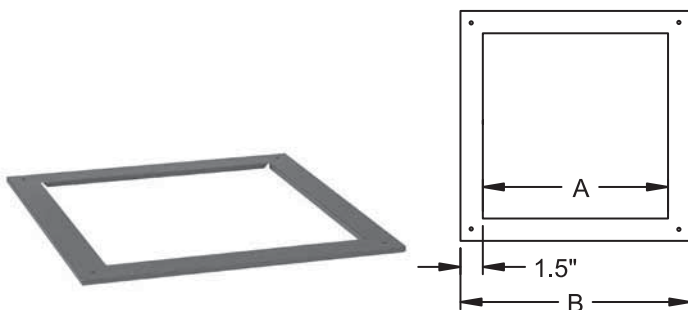


SIZE	6"	7"	8"	10"	12"
A	6.00	7.00	8.00	10.00	12.00
B	12.44	13.44	14.44	17.00	19.00

Flange Width is 1/2"

The black ceiling support is designed to support the chimney from the floor or ceiling joists. 6", 7", and 8" chimney fits between 16" O.C. joists with required clearance. Single wall adapter is part of support assembly.

PAINTED CEILING SUPPORT TRIM – TGCST



SIZE	6"	7"	8"	10"	12"
A	12.63	13.63	14.63	17.19	19.19
B	15.63	16.63	17.63	20.19	22.19

The black trim piece is used to trim off the ceiling support (TGCSP) if ceiling drywall has covered the built-in support box trim on new construction.