

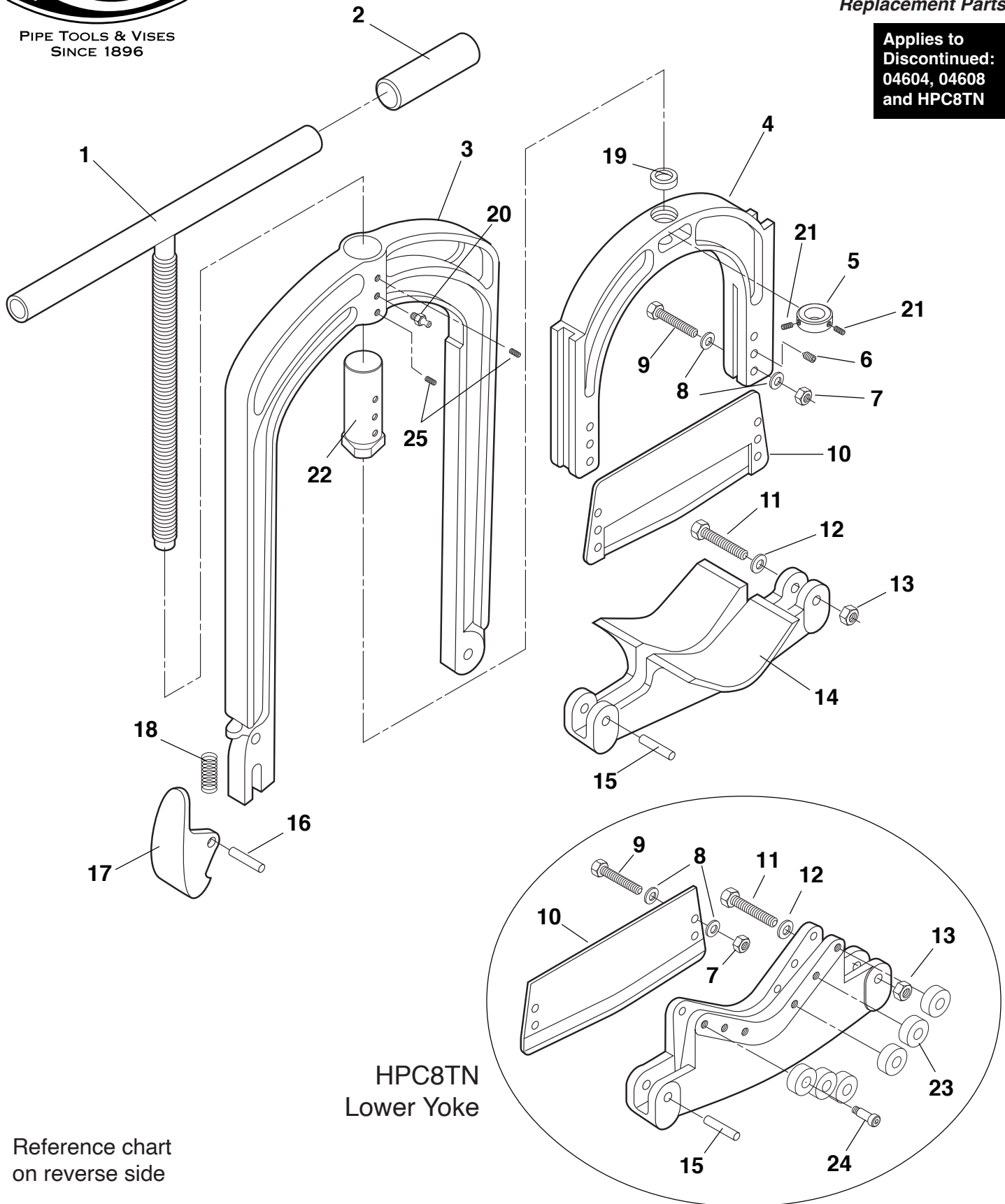


PIPE TOOLS & VISES
SINCE 1896

Guillotine Pipe Cutters (HPC4, HPC8 & HPC8TN)

Replacement Parts

Applies to
Discontinued:
04604, 04608
and HPC8TN



HPC8TN
Lower Yoke

Reference chart
on reverse side

Reed Manufacturing
1425 West 8th Street
Erie, PA 16502 USA

QUALITY
& Service
that Last a Lifetime

Phone: 800-666-3691 or 814-452-3691
reedsales@reedmfgco.com
www.reedmfgco.com

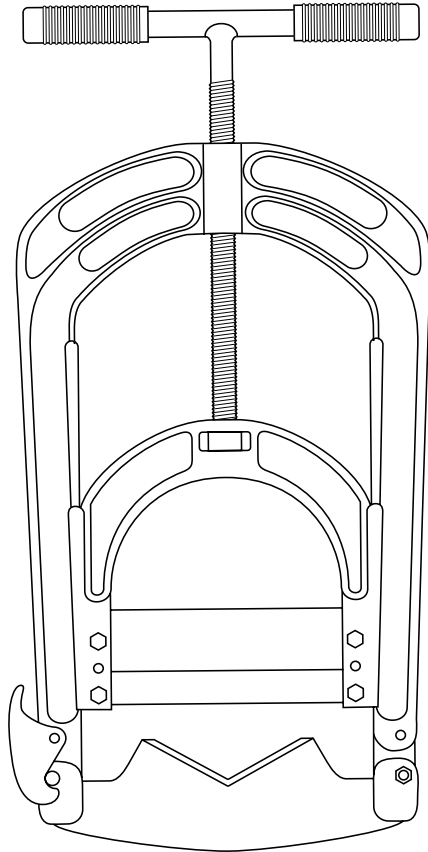
RP-0523-37



PIPE TOOLS & VISES
SINCE 1896

Guillotine Pipe Cutters (HPC4, HPC8 & HPC8TN)

Replacement Parts



Parts List

| Item No. | Description | HPC4* Part No. | HPC8* Part No. | HPC8TN* Part No. | Qty. |
|----------|----------------------|-------------------|-------------------|---------------------|------|
| 1 | Feed Screw Assembly | 94113 | 94005 | 94005 | 1 |
| 2 | Black Handle Grip | 40070 | 40095 | 40095 | 2 |
| 3 | Upper Yoke | 94120 | 94012 | 94012 | 1 |
| 4 | Crosshead | 94129 | — | — | 1 |
| 5 | Collar | 40328 | 94144 | 94144 | 1 |
| 6 | Blade Set Screw | 30178 | 30173 | N/A | 2 |
| 7 | Hex Nut | 30123 | 30176 | 30176 | 4 |
| 8 | Lock Washer | 30177 | 30175 | 30175 | 8 |
| 9 | Blade Screw | 94126 | 94132 | 94132 | 4 |
| 10 | Blade | 40329 | 40027 | 94137 | 1 |
| 11 | Lower Yoke Cap Screw | 94133 | 40031 | 40031 | 1 |
| 12 | Steel Washer | 30180 | 30011 | 30011 | 1 |
| 13 | Flexioc Nut | 30179 | 30143 | 30143 | 1 |
| 14 | Lower Yoke | 94116 | 94002 | 94135 | 1 |
| 15 | Lower Yoke Pin | 94123 | 94007 | 94007 | 1 |
| 16 | Latch Pin | 94124 | 94011 | 94011 | 1 |
| 17 | Latch | 93115 | 93117 | 93117 | 1 |
| 18 | Latch Spring | 40046 | 40030 | 40030 | 1 |
| 19 | Thrust Washer | 98057 | 94145 | 94145 | 1 |
| 20 | Grease Fitting | 40338 | 40338 | 40338 | 1 |
| 21 | Collar Set Screw | N/A | 40090 | 40090 | 2 |
| 22 | Internal Nut | 94603 | 94140 | 94140 | 1 |
| 23 | Roller | N/A | N/A | 94025 | 12 |
| 24 | Shoulder Screw | N/A | N/A | 30194 | 12 |
| 25 | Set Screw | 30019 | 30019 | 30019 | 2 |
| 26 | Blade Guard** | 40348 | 40349 | N/A | 1 |

**not shown

*discontinued