



PIPE TOOLS & VISES
SINCE 1896

Universal Pipe Cutter (UPC) Replacement Parts Booklet

Table of Contents

Drawing Number	Description
U1	UPC Front View
U2	UPC Pneumatic Rear View
U3	UPC Hydraulic Rear View
U4	UPC Mainframe Assembly
U5	UPC Bladeguard Assembly
U6	UPC Blade & Arbor Details
U7	UPC Turnbuckle & Chain Assembly
U8	UPC Connecting Frame Assembly
U9	UPC Motor Bracket Assembly
U10	UPC Hydraulic Motor Assembly
U11	UPC Pneumatic Motor Assembly

How to use this booklet:

To locate a specific part, refer to drawings U1, U2 and U3 which contain assembled views of the UPC. Find the general area in which the part is located. Refer to the cross reference table on the bottom of the drawing. This table will indicate a detail drawing number for that general area. Refer to that drawing number for the nomenclature for the part. The exploded detail drawings are numbered U4 through U11. Additional UPC operating accessories such as wedges, grease, dressing sticks, etc. can be located online (www.reedmfgco.com) and in the Reed catalog and price book. Further information can be obtained from Reed Manufacturing Company.

*UPC Hydraulic models were discontinued at Reed in 2009. Some replacement parts are available.



PIPE TOOLS & VISES
SINCE 1896

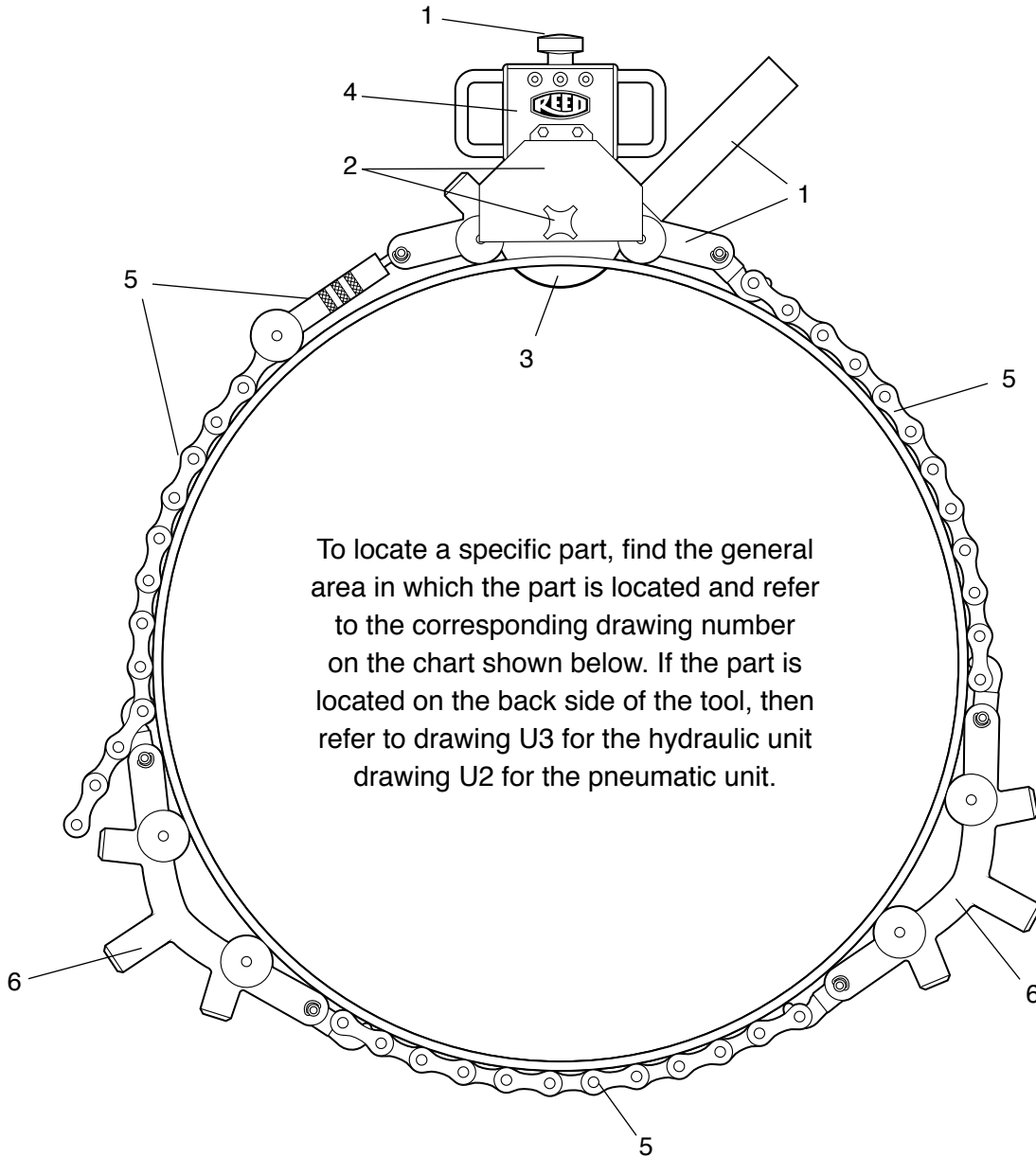
Universal Pipe Cutter (Pneumatic & Hydraulic Models)

Replacement Parts

Front View

Drawing No.

U1



To locate a specific part, find the general area in which the part is located and refer to the corresponding drawing number on the chart shown below. If the part is located on the back side of the tool, then refer to drawing U3 for the hydraulic unit drawing U2 for the pneumatic unit.

Ref.

No. For detailed parts explosion information see:

1	Explosion Drawing U4
2	Explosion Drawing U5
3	Explosion Drawing U6
4	Explosion Drawing U9
5	Explosion Drawing U7
6	Explosion Drawing U8



PIPE TOOLS & VISES
SINCE 1896

Universal Pipe Cutter (Pneumatic Only)

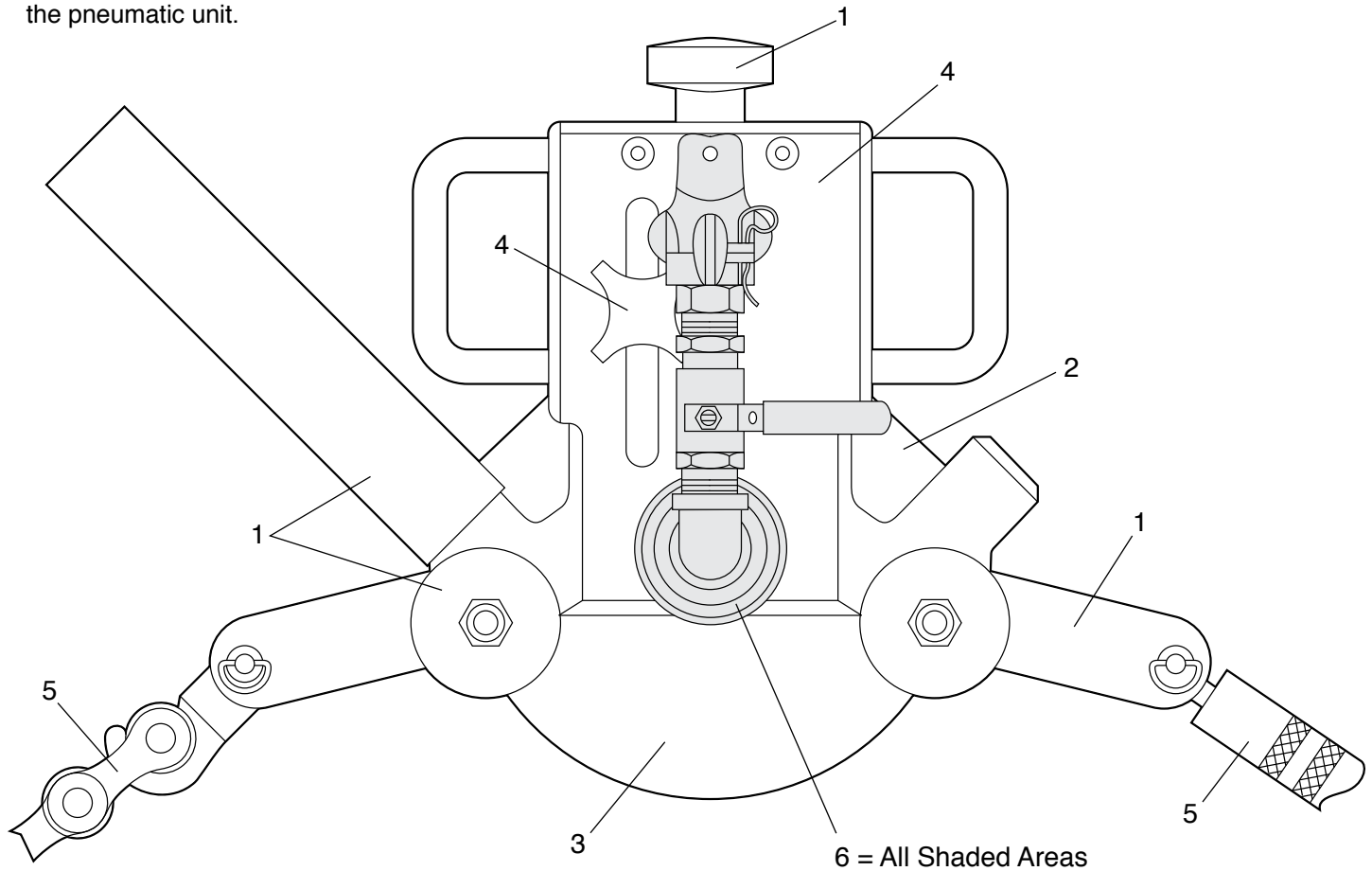
Replacement Parts

Drawing No.

U2

To locate a specific part, find the general area in which the part is located and refer to the corresponding drawing number on the chart shown below. If the part is located on the front side of the tool, then refer to drawing U1 for both the hydraulic unit and the pneumatic unit.

Rear View



6 = All Shaded Areas

Ref. No.	For detailed parts explosion information see:
1	Explosion Drawing U4
2	Explosion Drawing U5
3	Explosion Drawing U6
4	Explosion Drawing U9
5	Explosion Drawing U7
6	Explosion Drawing U11



PIPE TOOLS & VISES
SINCE 1896

Universal Pipe Cutter (Hydraulic Only)

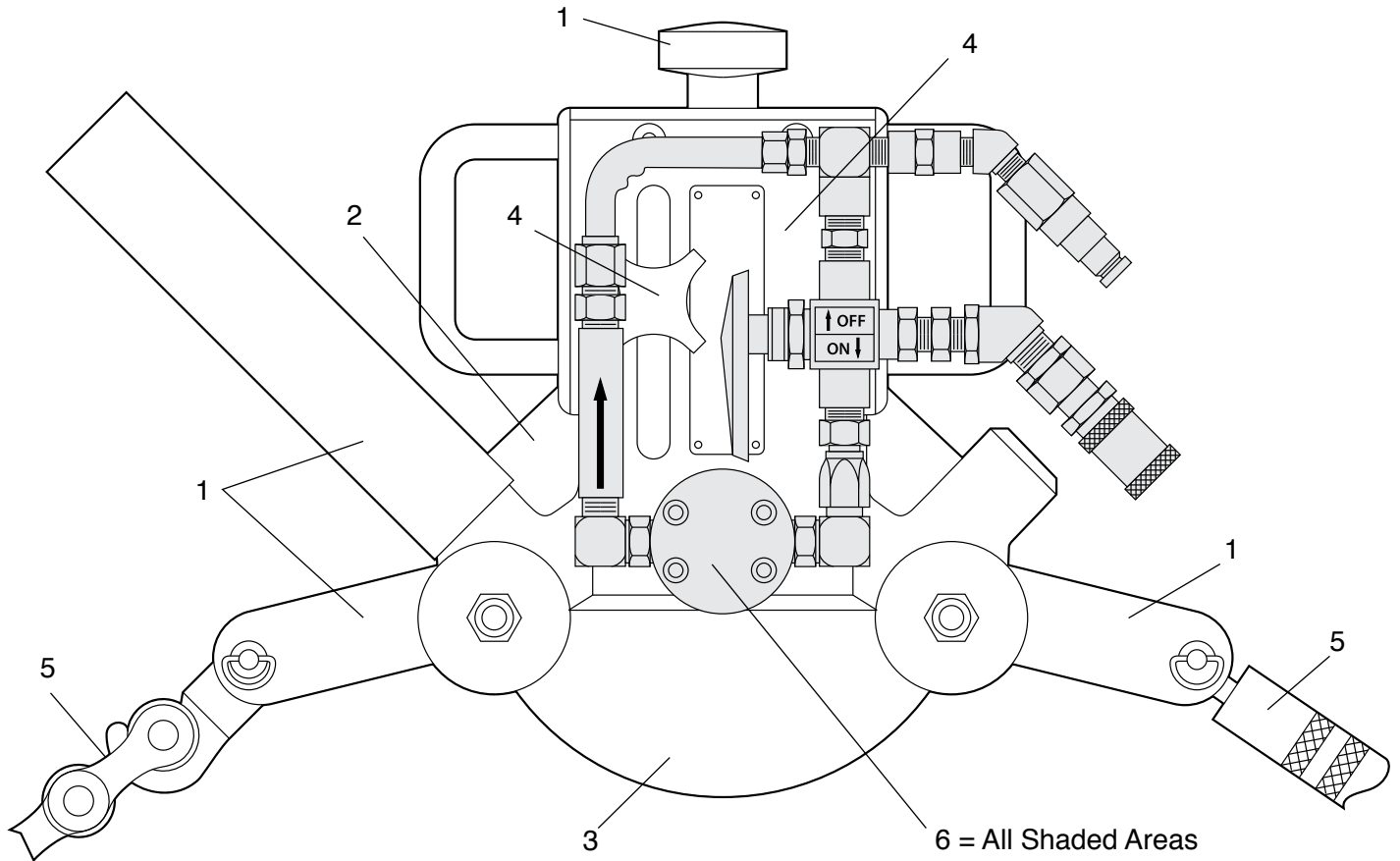
Replacement Parts

To locate a specific part, find the general area in which the part is located and refer to the corresponding drawing number on the chart shown below. If the part is located on the front side of the tool, then refer to drawing U1 for both the hydraulic unit and the pneumatic unit.

Drawing No.

U3

Rear View



Ref. No.	For detailed parts explosion information see:
1	Explosion Drawing U4
2	Explosion Drawing U5
3	Explosion Drawing U6
4	Explosion Drawing U9
5	Explosion Drawing U7
6	Explosion Drawing U10

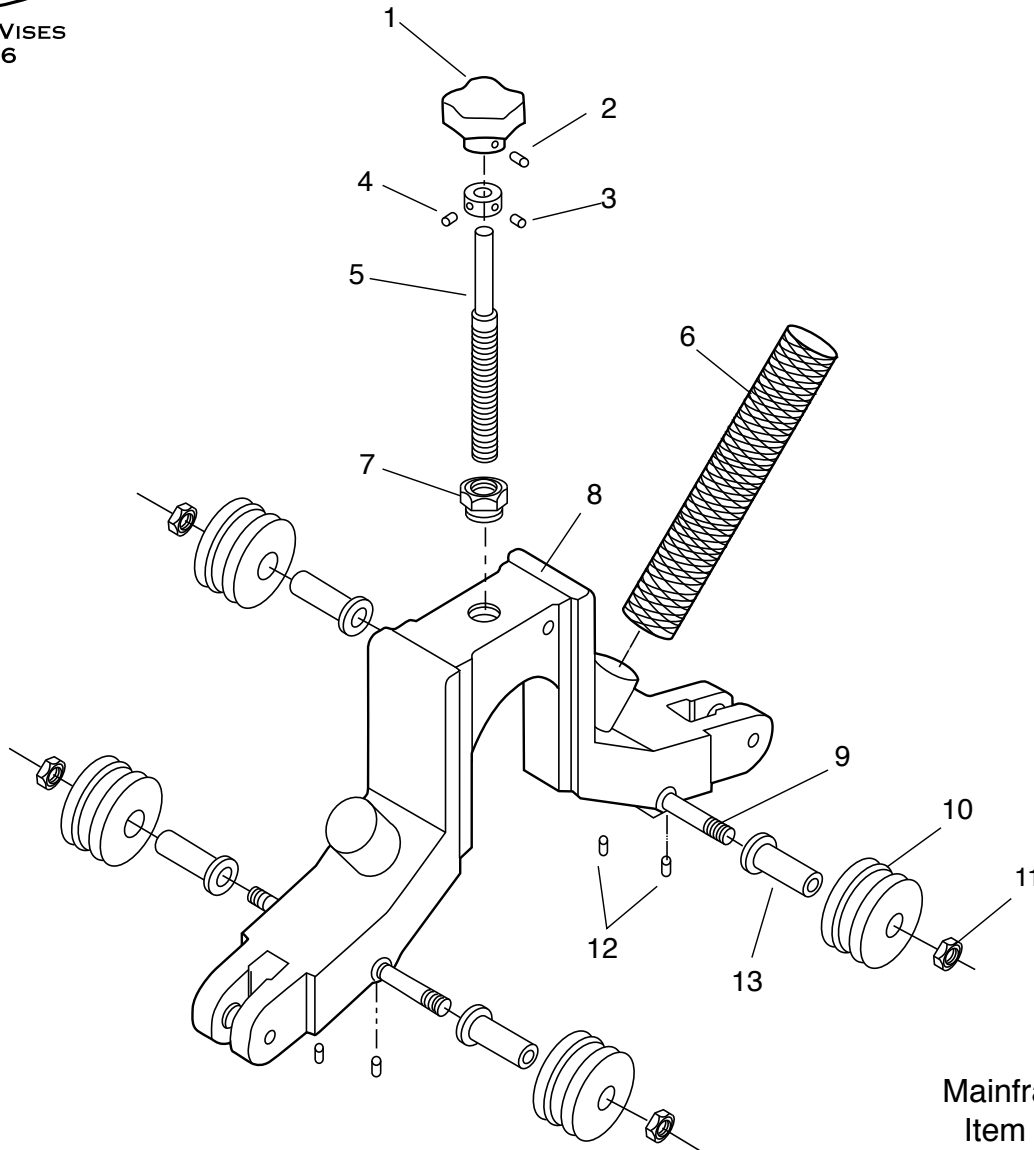
* UPC Hydraulic models were discontinued at Reed in 2009. Some replacement parts are available.



PIPE TOOLS & VISES
SINCE 1896

Universal Pipe Cutter (Mainframe Assembly)

Replacement Parts



Drawing No.

U4

Complete
Mainframe Assembly
Item Code #97067*

Parts List

Ref. No.	Description	Item Code	Qty
1	Feed Knob	97551	1
2	Set Screw	30087	1
3	Collar	93140	1
4	Set Screw	40083	2
5	Feed Screw	97547	1
6	Handle*	97582	1
7	Bushing	97548	1
8	Mainframe	97068	1
9	Roller Pin	97542	2
10	Roller	97541	4
11	Flexloc Nut	97543	4
12	Set Screw	97544	4
13	Flanged Bearing	97010	4

* #97582 Handle not included with #97067.

Reed Manufacturing
1425 West 8th Street
Erie, PA 16502 USA



Phone: 800-666-3691 or +1-814-452-3691
reedsales@reedmfgco.com
www.reedmfgco.com

RP-0321-114U4



PIPE TOOLS & VISES
SINCE 1896

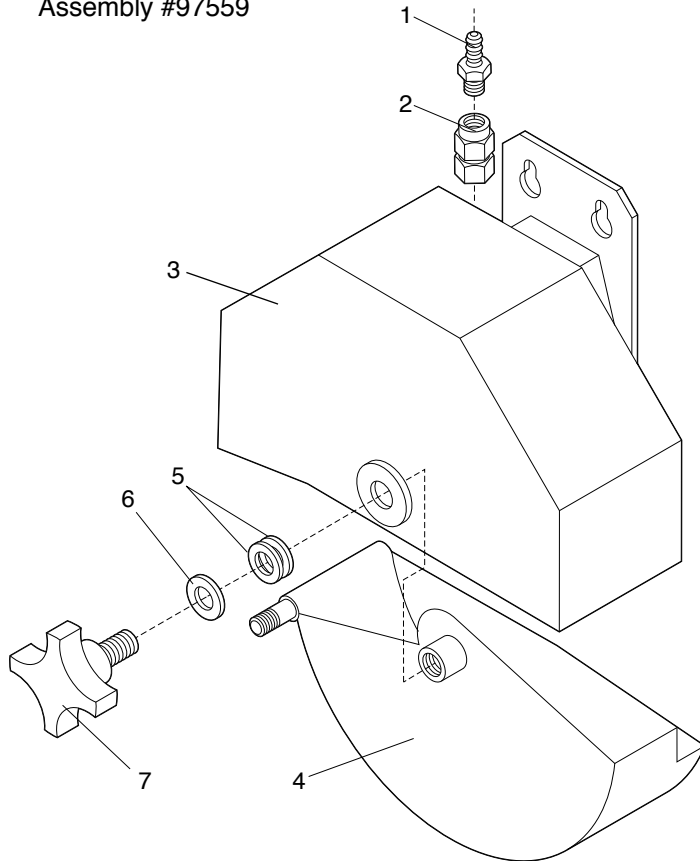
Universal Pipe Cutter (Blade Guard Assembly)

Replacement Parts

Drawing No.

U5

Complete Blade Guard
Assembly #97559

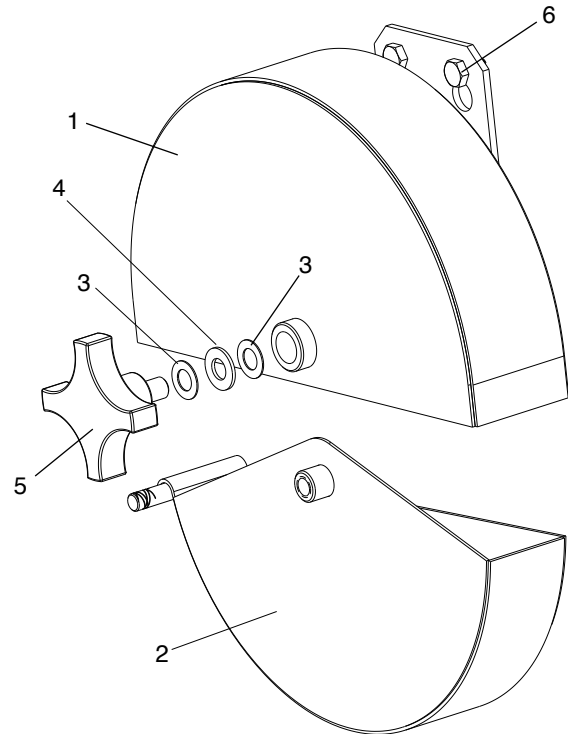


UPC616, UPC636, and UPC648 Models

Parts List

Ref. No.	Description	Item Code	Qty
1	Hose Barb	40026	1
2	Female Connector	40167	1
3	Blade Cover	97601	1
4	Blade Guard	97600	1
5	Belleville Washer	97562	2
6	Nylon Washer	97553	1
7	Knob Assembly	97578	1

Complete Blade Guard
Assembly #07509
Used for PE cutting only.



UPC836 and UPC848 Models

Parts List

Ref. No.	Description	Item Code	Qty
1	Blade Cover	97604	1
2	Blade Cover - Lower	97603	1
3	Belleville Washer	97562	2
4	Nylon Washer	97553	1
5	Knob Assembly	97578	1
6	Screw	30156	2



PIPE TOOLS & VISES
SINCE 1896

Universal Pipe Cutter (Blade & Arbor Assembly)

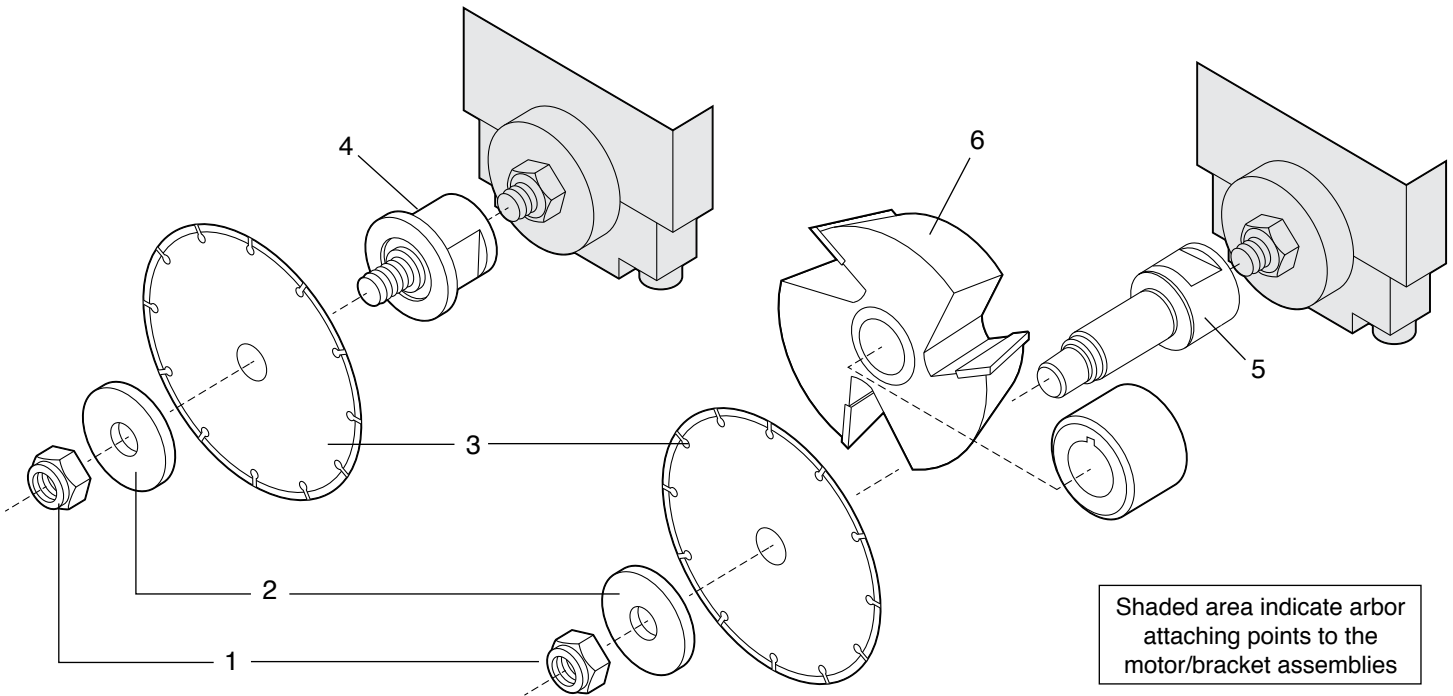
Replacement Parts

Drawing No.

U6

Short Arbor Assembly Standard on UPC Pneumatic

Long Arbor Assembly Optional on UPC Pneumatic*



Shaded area indicate arbor attaching points to the motor/bracket assemblies

Parts List

Ref. No.	Description	Item Code	Qty
1	Locknut	97543	1
2	Flanged Washer	97066	1
3	Blade	See Blade Chart On Box Lid Or Online	1
4	Short Arbor (Standard On UPC Pneumatic)	97617	1
5	Long Arbor (Optional On UPC Pneumatic)	97561**	1
6	PVC Bevel Cutter (Optional)	97511	1

*UPC Hydraulic models were discontinued at Reed in 2009. Some replacement parts are available.

**Old style Long Arbor with Key Slot should be updated to current Long Arbor shape. This also eliminates need for the Arbor Spacer.



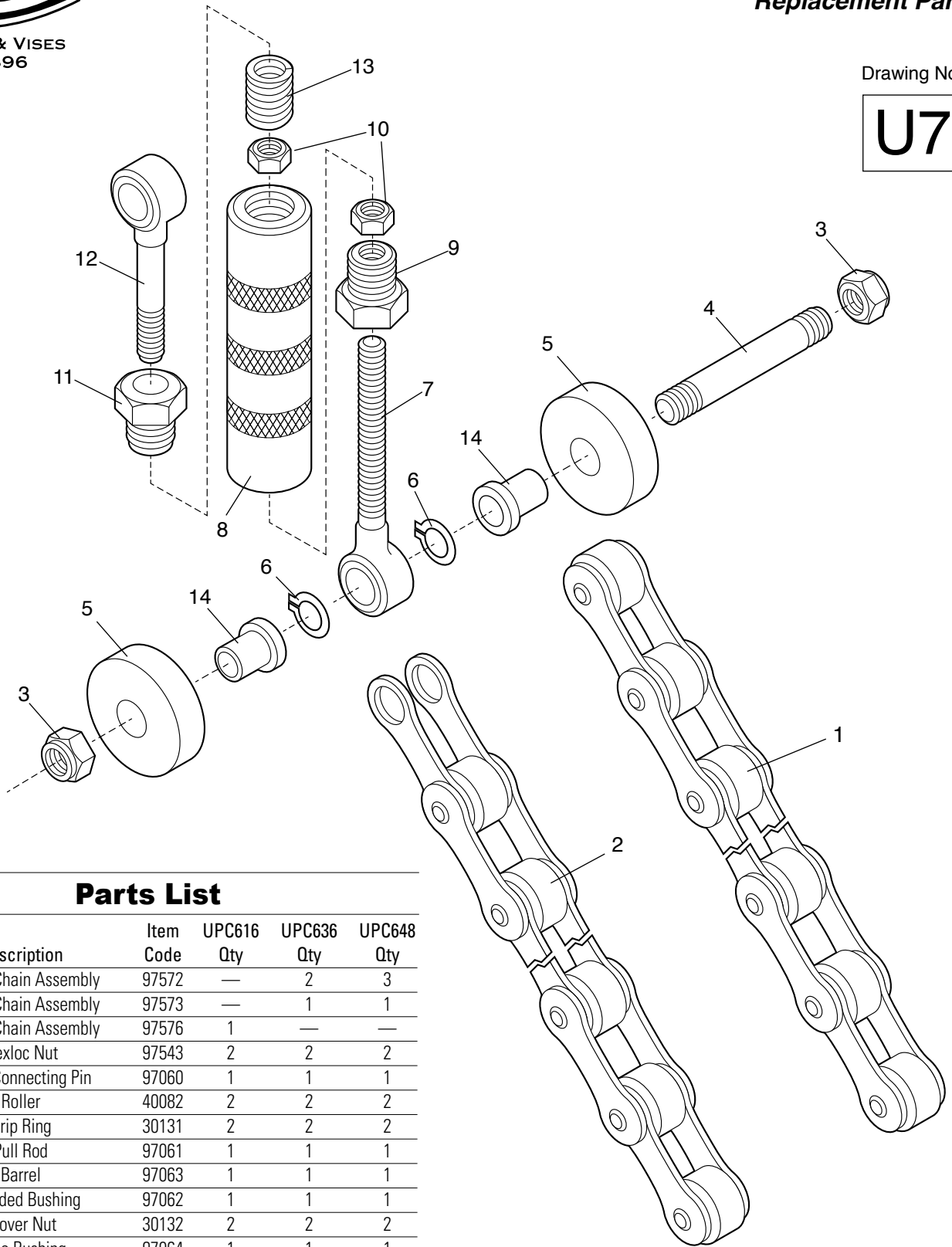
PIPE TOOLS & VISES
SINCE 1896

Universal Pipe Cutter (Turnbuckle & Chain Assembly)

Replacement Parts

Drawing No.

U7



Parts List

Ref. No.	Description	Item Code	UPC616 Qty	UPC636 Qty	UPC648 Qty
1	11 Link Chain Assembly	97572	—	2	3
2A	13 Link Chain Assembly	97573	—	1	1
2B	19 Link Chain Assembly	97576	1	—	—
3	Flexloc Nut	97543	2	2	2
4	Chain Connecting Pin	97060	1	1	1
5	Roller	40082	2	2	2
6	Grip Ring	30131	2	2	2
7	Pull Rod	97061	1	1	1
8	Barrel	97063	1	1	1
9	Threaded Bushing	97062	1	1	1
10	Stover Nut	30132	2	2	2
11	Slide Bushing	97064	1	1	1
12	Spring Rod	97065	1	1	1
13	Spring	40276	1	1	1
14	Flanged Bearing	40081	2	2	2

Complete Turnbuckle & Chain Assembly
#97579 UPC636, UPC648
#97580 UPC616
(Item #1 not included with either)



PIPE TOOLS & VISES
SINCE 1896

Universal Pipe Cutter (Turnbuckle & Chain Assembly)

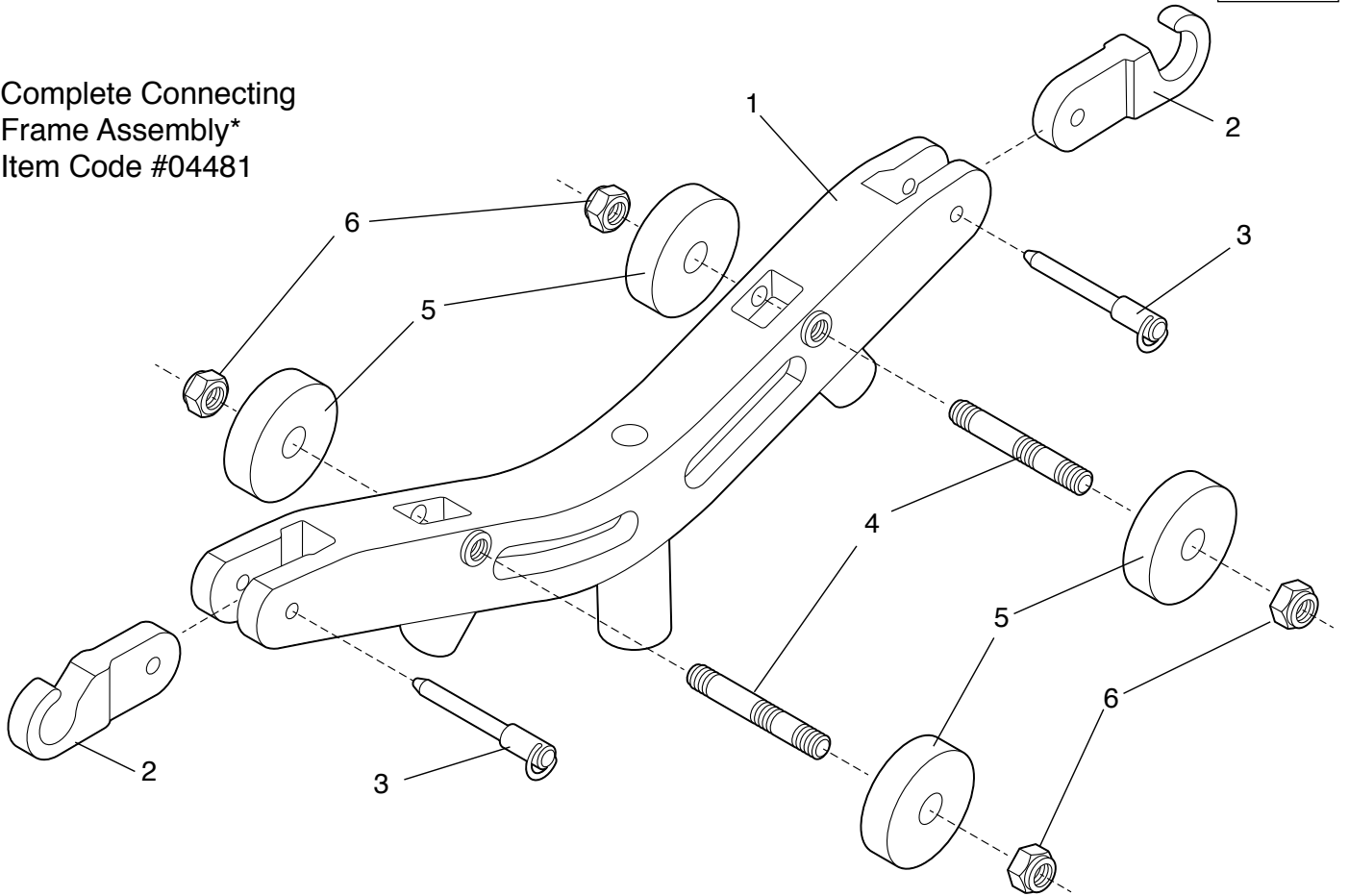
Replacement Parts

Pneumatic & Hydraulic Models

Drawing No.

U8

Complete Connecting
Frame Assembly*
Item Code #04481



*Connecting Frame Assembly #04481 does not include part #2 (Chain Hook) & part #3 (Release Pin). These items must be ordered separately. Please refer to chart below.

Parts List

Ref. No.	Description	Item Code	Qty
1	PLACC Yoke	97569	1
2	Chain Hook	97546	2
3	Release Pin	97545	2
4	Roller Pin	97536	2
5	PLACR Roller	97570	4
6	Flexloc Nut	30143	4

Convert UPC616 to UPC636

Item Code	Description	Quantity Used
04481	PLASC C Section	2
97546	Chain Hook	2
97545	Release Pin	2
97572	11 Link Chain Assembly	2

Convert UPC636 to UPC648

Item Code	Description	Quantity Used
04481	PLASC C Section	1
97546	Chain Hook	2
97545	Release Pin	2
97572	11 Link Chain Assembly	1



PIPE TOOLS & VISES
SINCE 1896

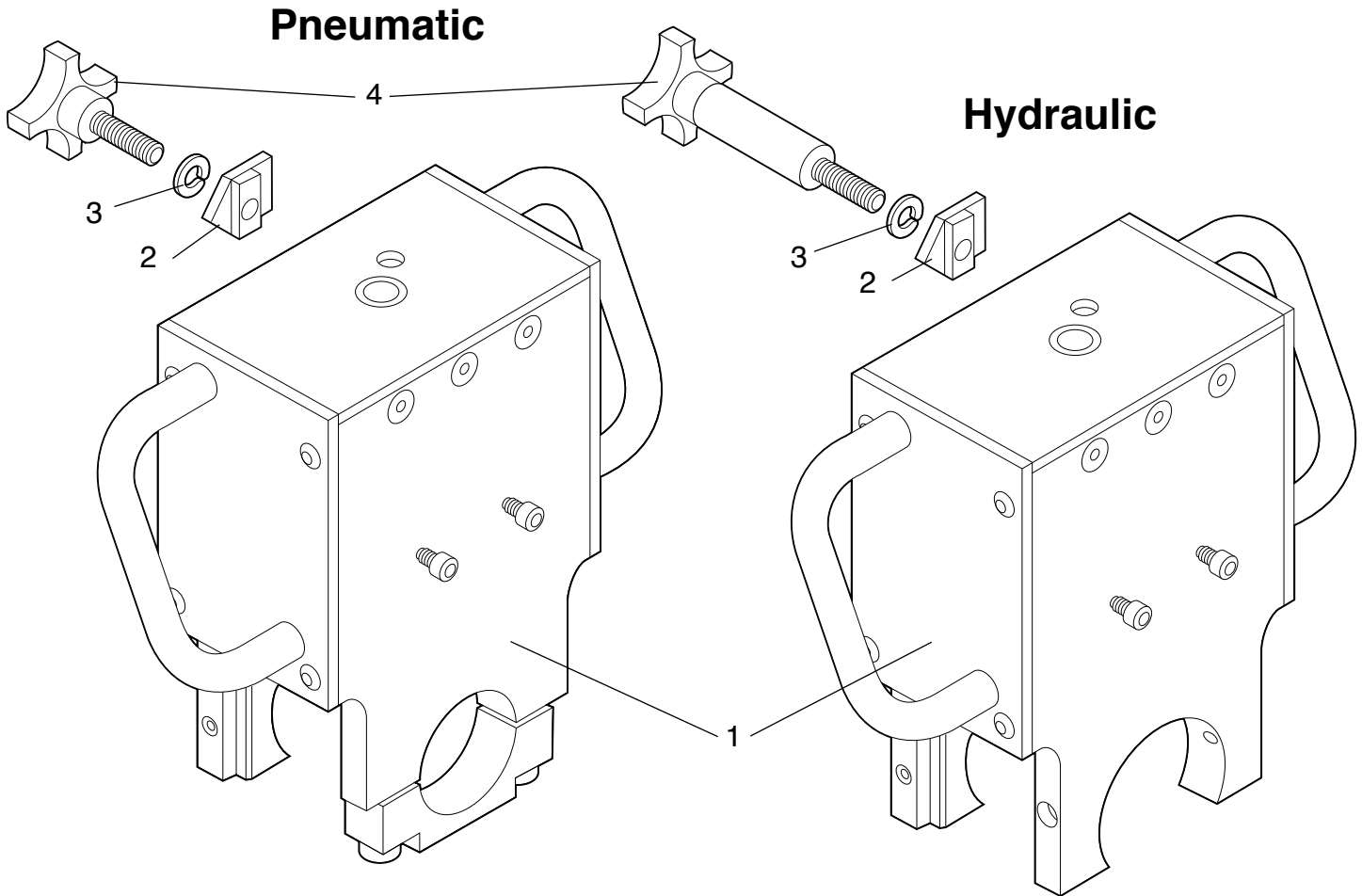
Universal Pipe Cutter (Motor Bracket Assemblies)

Replacement Parts

Drawing No.

U9

Pneumatic & Hydraulic Models



Pneumatic				Hydraulic			
Ref. No.	Description	Item Code	Qty	Ref. No.	Description	Item Code	Qty
1	Motor Bracket Assembly	97555	1	1	Motor Bracket Assembly	97615	1
2	Nylon Washer	97553	1	2	Nylon Washer	97553	1
3	Indicator	97554	1	3	Indicator	97554	1
4	Knob Assembly	97552	1	4	Knob Assembly	97613	1



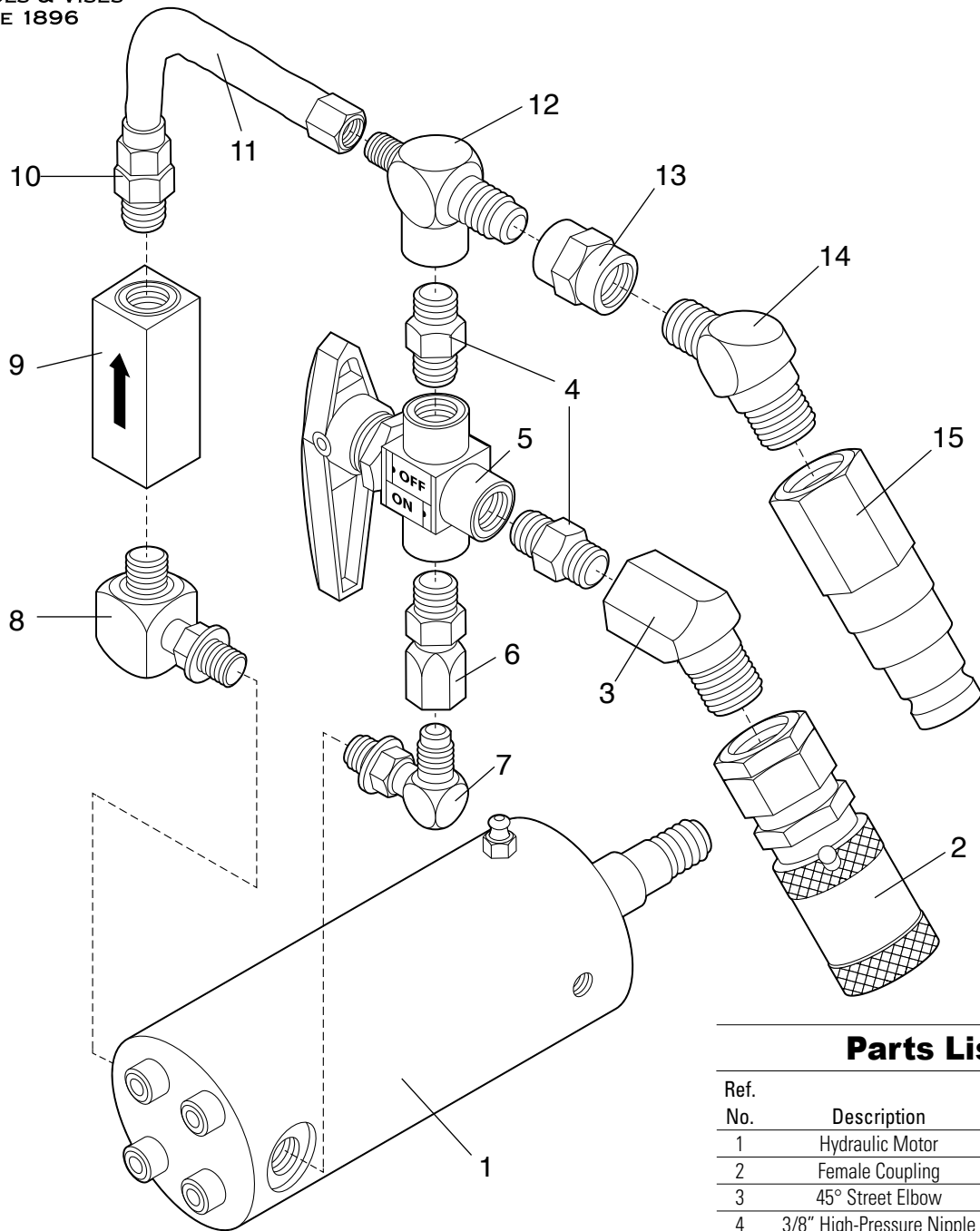
PIPE TOOLS & VISES
SINCE 1896

Universal Pipe Cutter (Hydraulic Motor Assembly)

Replacement Parts

Drawing No.

U10



Parts List

Ref. No.	Description	Item Code	Qty
1	Hydraulic Motor	40309	1
2	Female Coupling	40174	1
3	45° Street Elbow	40180	1
4	3/8" High-Pressure Nipple	40185	2
5	3-Way Ball Valve	40312	1
6	Swivel Adapter	40176	1
7	Pressure Line Elbow	40179	1
8	Return Line Elbow	40355	1
9	In-Line Check Valve	40354	1
10	Male Connector	40353	1
11	Tubing Assembly	40178	1
12	Special Shape Tee	40182	1
13	Pipe Coupling	40181	1
14	45° Male Elbow	40175	1
15	Male Coupling	40173	1

* UPC Hydraulic models were discontinued at Reed in 2009. Some replacement parts are available.



PIPE TOOLS & VISES
SINCE 1896

Universal Pipe Cutter (Pneumatic Motor Assembly)

Replacement Parts

Drawing No.

U11

Parts List

Ref. No.	Description	Item Code	Qty
1	Pneumatic Motor	40150	1
2	Bronze Close Nipple	97564	1
3	Bronze 90° Elbow	97565	1
4	Bronze Ball Valve	97566	1
5	Bronze Hose Coupling	97567	1
6	Bronze End Cap	97568	1
7	Hairpin (included with #5 & #6)		1

