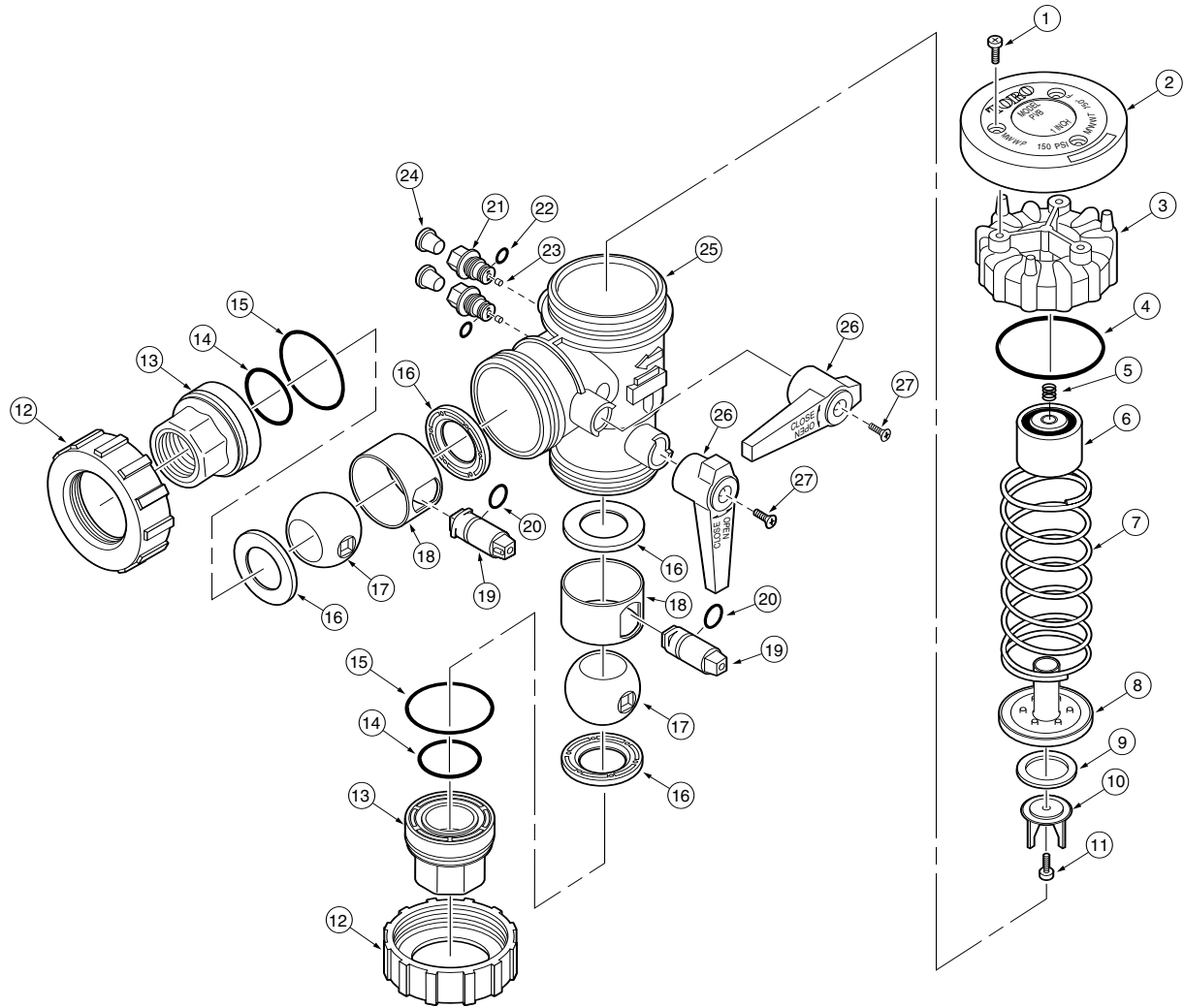
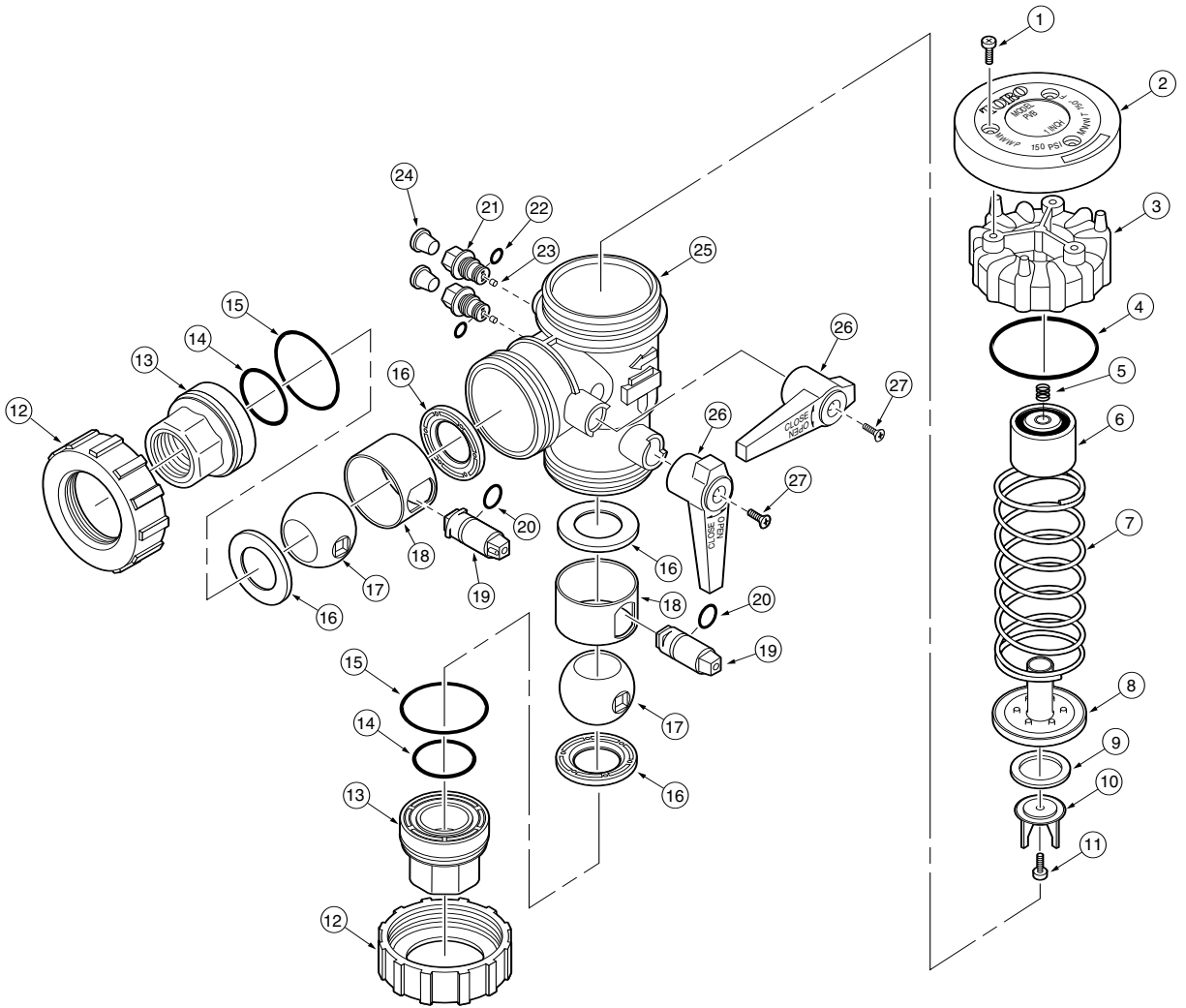


Pressure Vacuum Breaker (Sheet 1 of 2)



Item No.	Part No.	Description	Quantity Per Assy.
1	360-0715	Screw, Tap, #10, PHFH, SST	3
2	89-5809	Cover, 3/4"	1
2	89-5808	Cover, 1"	1
3	89-6019	Cap	1
4	400-0261	O-Ring	1
5	80-0528	Spring, Float Release	1
6	-----	Core, Float	1
7	80-0527	Spring	1
8	-----	Valve, Check (See Service Item 80-0553, p. 125)	1
9	-----	Disc (See Service Item 80-0553, p. 125)	1
10	-----	Guide (See Service Item 80-0553, p. 125)	1
11	363-1444	Screw, Tap, #6, PHPH, SST	1
12	89-5810	Nut, Union	2
13	89-6012	Union Adapter Assy., 3/4" S x S (Includes Item 14)	1
13	89-6013	Union Adapter Assy., 3/4" NPT (Includes Item 14)	1
13	89-6014	Union Adapter Assy., 1" S x S (Includes Item 14)	1
13	89-6015	Union Adapter Assy., 1" NPT (Includes Item 14)	1
13	89-6016	Union Adapter Assy., 1" BSP (Includes Item 14)	1
14	360-0155	O-Ring	2
15	363-1418	O-Ring	2
16	80-0211	Seal	4
17	89-5812	Ball	2
18	80-0209	Ring, Valve	2
19	80-0552	Stem	2

Pressure Vacuum Breaker (Sheet 2 of 2)



Item No.	Part No.	Description	Quantity Per Assy.
20	360-0402	O-Ring	2
21	89-4727	Test Cock	2
22	360-0107	O-Ring	2
23	89-4728	Seal, Test Cock	2
24	363-1415	Plug, 1/8" NPT	2
25	89-5879	Body, PVB	1
26	80-0125	Handle	2
27	363-1030	Screw	2
SERVICE ITEMS			
	80-0553	Check Valve Assy. (Includes Items 8–11)	
	89-5878	Assy., Test Cock (Includes Items 21–24)	
	89-5879	Assy., Body (Includes Items 16–25)	
	89-5880	Kit, Union Adapter, 3/4" S x S (Includes Items 12–15)	
	89-5881	Kit, Union Adapter, 3/4" NPT (Includes Items 12–15)	
	89-5882	Kit, Union Adapter, 1" S x S (Includes Items 12–15)	
	89-5883	Kit, Union Adapter, 1" NPT (Includes Items 12–15)	
	89-5884	Kit, Union Adapter, 1" BSP (Includes Items 12–15)	
	89-6006	Kit, Float Assy. (Includes Items 3–6)	