



Buy it for looks. Buy it for life.®

Specifications

DESCRIPTION

- Available in various finishes identified by suffix

OPERATION

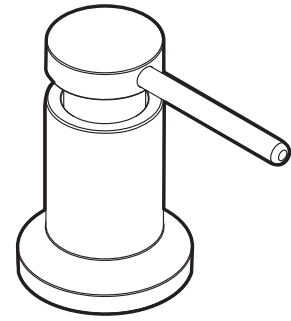
- Press down, pump action

STANDARDS

- Designed and manufactured to comply with the requirements of: CSA B15.1 and ASME A112.18.1 and all requirements referenced therein

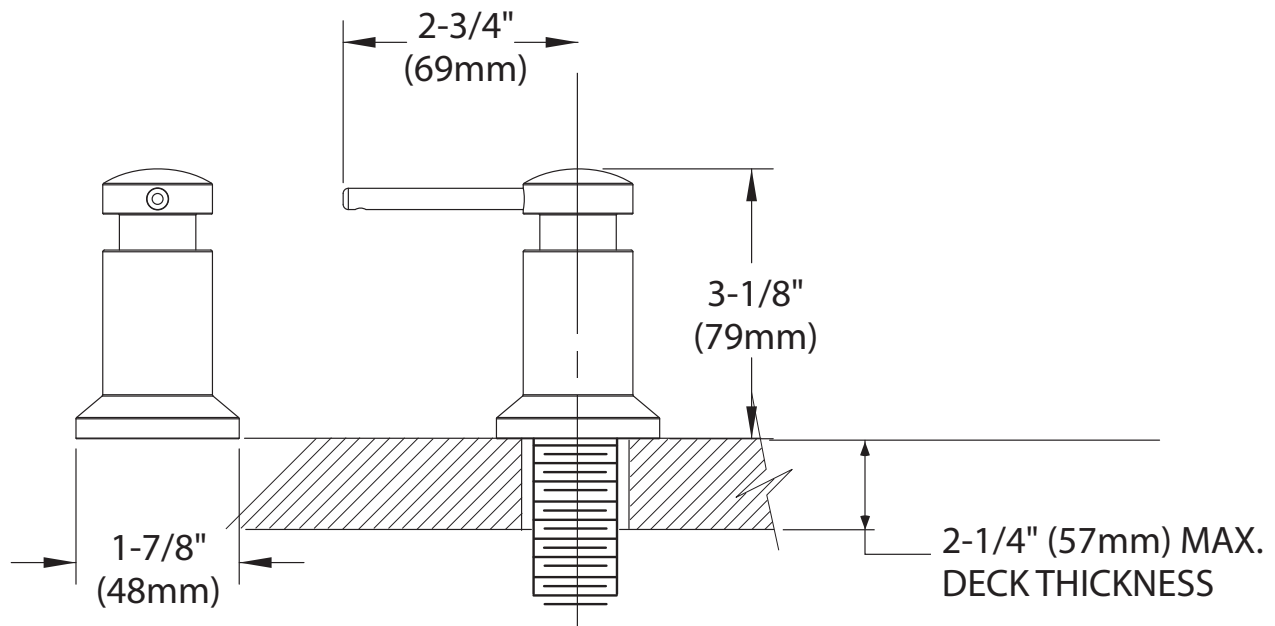
WARRANTY

- Warranted for one year against material or manufacturing defects



LIQUID DISPENSER

Model: 3942 series



NOTE: DESIGNED TO BE INSTALLED THROUGH 1 HOLE 1-1/8" DIAMETER

CRITICAL DIMENSIONS

(DO NOT SCALE)

FOR MORE INFORMATION CALL: 1-800-BUY-MOEN

www.moen.com