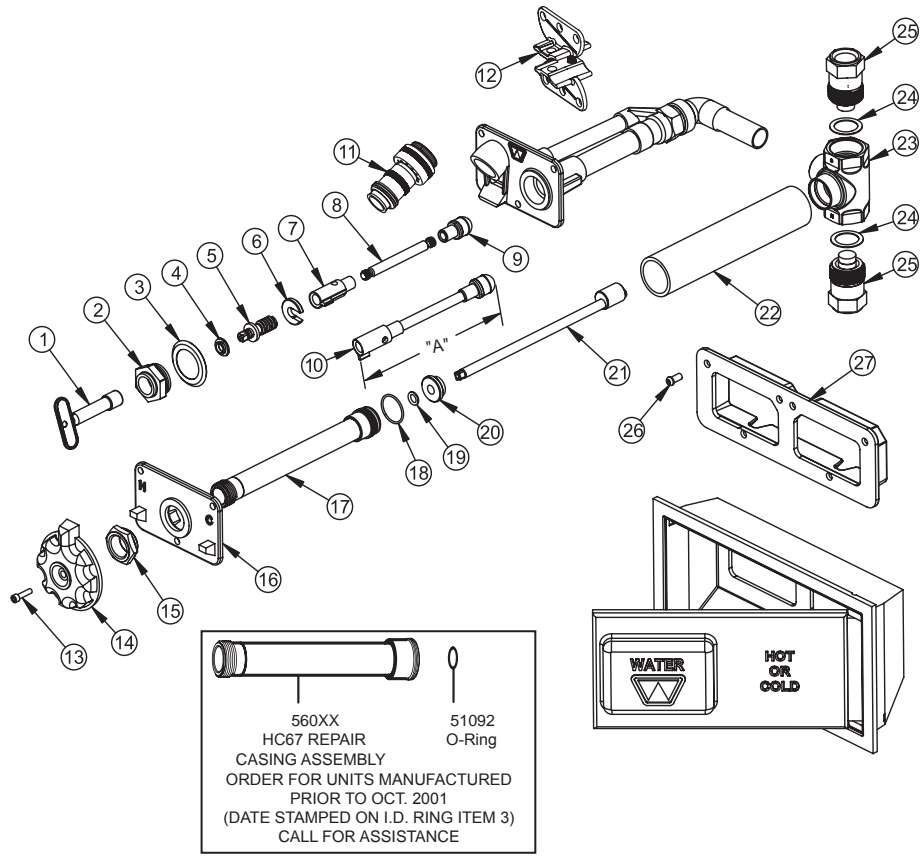


**WOODFORD**



Item 10 - Operating Rod Assy. "A"

Wall Thickness		Length	Part No.
67	B67/RB67		
CC	CC	3 1/2"	55401
2	4	4 1/2"	55402
4	6	6 1/2"	55404
6	8	8 1/2"	55406
8	10	10 1/2"	55408
10	12	12 1/2"	55410
12	14	14 1/2"	55412
14	16	16 1/2"	55414
16	18	18 1/2"	55416
18	20	20 1/2"	55418
20	22	22 1/2"	55420
22	24	24 1/2"	55422
24	N/A	26 1/2"	55424

560XX  
HC67 REPAIR  
CASING ASSEMBLY  
ORDER FOR UNITS MANUFACTURED  
PRIOR TO OCT. 2001  
(DATE STAMPED ON I.D. RING ITEM 3)  
CALL FOR ASSISTANCE

51092  
O-Ring

**MODEL HC67 PARTS LIST**

ITEM	PART#	DESCRIPTION
1	50009	Tee Key
	50010	Long Tee Key (Box Models)
2	50264	Head Nut - chrome
	50265	Head Nut - brass
3	50583	I.D. Ring
4	50252	Stem Washer
5	55062	Stem Screw
6	50251	"C" Washer
7	51014	Yoke Nut
8		Operating Rod (Sold As Item 10 Only)
9	50250	Plunger
10	554XX	Operating Rod Assembly (Includes Items 7, 8 & 9)
11	50HA-CH	NIDEL® 50HA Backflow Preventer - chrome
	50HA-BR	NIDEL® 50HA Backflow Preventer - brass
12	55063	Wall Clamp Assembly
13	50559	Handle Screw
14	50547	Handle - brass
	50548	Handle - chrome

**MODEL HC67 PARTS LIST**

ITEM	PART#	DESCRIPTION
15	50545	Locking Nut
16	50543	Face Plate - brass
	50544	Face Plate - chrome
17	361XX	HC67 Casing Assembly (Includes Items 18 & 19) - Call for assistance
18	51093	O-Ring AS-023
19	51092	O-Ring AS-110
20	50529	Support Washer
21	5508X	Rod Assembly - Call for assistance
22	5053X	Casing Shield - Call for assistance
23	50500	Mixer Body
24	50502	Gasket (2 required)
25	55079	Shuttle Housing Assembly (2 required)
26	51050	Tamper Proof Screws (6 required)
27	50542	Wall Plate - chrome
	50541	Wall Plate - brass
	RK-65	Chrome Repair Kit (Includes Items 1-7 & 9)
	RK-HC	HC/HCB Repair Kit (Includes Items 18, 19, 20, 24, 25)

Wall Thickness (In)	CC	4	6	8	10	12	14	16	18	20	22	24
Overall Length* (In)	6 11/16	9 11/16	11 11/16	13 11/16	15 11/16	17 11/16	19 11/16	21 11/16	23 11/16	25 11/16	27 11/16	29 11/16
Shipping Weight (lbs)**	10.8	11.5	12.2	12.9	13.7	14.3	15.1	15.8	16.5	17.3	18.1	18.9

\*Add 5/16" for all box hydrants except CC units add 2 5/16".  
\*\* Add 8.5 Lbs for box models.

NOTE: Close Coupled models are not recommended for use in freezing climates and cannot use wall clamp.

Manufactured under one or more of the following patents: U.S. Patents: 3,414,001; 4,178,956; 4,316,481 4,532,954; 8,042,565 B2; D216,790; D216,791; D277,365; D277,366; Canada Patents: 852,529; 865,995; 1,146,438

For more information contact...

**WOODFORD MANUFACTURING COMPANY**

2121 Waynoka Road, Colorado Springs, Colorado 80915 • Phone: (800) 621-6032 • Fax: (800) 765-4115  
To view our complete product line visit: [www.woodfordmfg.com](http://www.woodfordmfg.com) or email: [sales@woodfordmfg.com](mailto:sales@woodfordmfg.com)  
A Division Of WCM Industries, Inc.