

The Woodford Model MB30BX Modular Box system is designed to securely contain a Woodford Model 30 freezeless wall faucet in residential buildings.

The MB30BX includes a light weight, high impact, composite box that is stubbed out of a frame or masonry wall. After the wall is finished, an attractive and paintable, composite door and fascia assembly is screwed into the box to create a durable, protected and secure faucet access.

The door is designed to swing up and slide back to stay open while a hose is attached. Two lock styles are available:

- Standard - Thumb Latch Cylinder Lock
- Available as an upcharge - Key Cylinder Lock (with (2) keys)

Complete the Modular Box system by choosing a reliable Woodford Model 30 freezeless wall faucet.

Sold Separately.

See rough-in dimensions and inlet options on reverse side.

The Model 30 faucet is intended for irrigation purposes and designed for residential and light commercial outside water service applications.

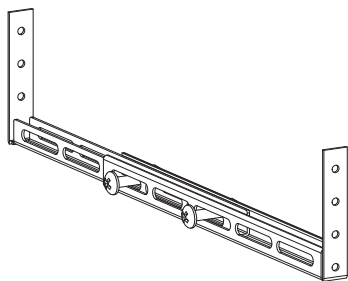
Patent Pending

Specifications:

- **MB30BX:** Includes Composite Box, Door & Fascia; Thumb Latch Cylinder Lock (Standard)
- **MB30BX-K:** Includes Composite Box, Door & Fascia; Key Cylinder Lock (Upcharge)
- Color: Composite Box: Black
Composite Door & Fascia: Tan
- Shipped in individual carton
- Shipping Weight: 2 lb-15 oz

RK-Bracket - Sold Separately

Bracket may be used to mount or support the box in a stud wall. Hole centers are provided on back of box for drilling (2) 9/32" holes. Bracket extends from 10" to 19".



**For Installation Instructions go to.....
www.woodfordmfg.com or call 1-800-621-6032**

WOODFORD



Composite Modular Box

For Model 30 Freezeless Wall Faucets (Sold Separately)

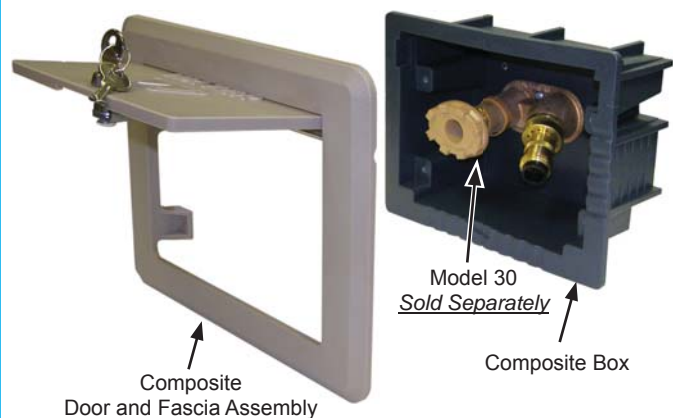
MB30BX

MB30BX-K



Modular Box Components

See Rough-In Dimensions on reverse side.



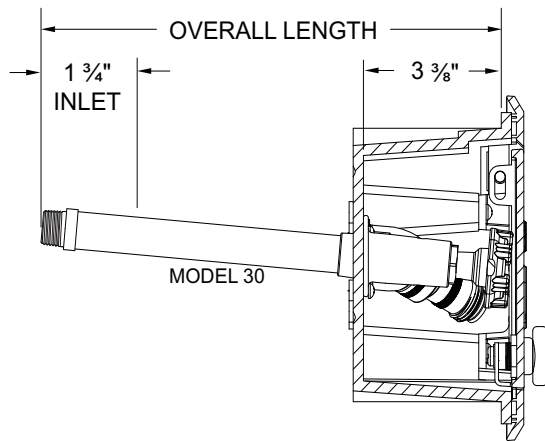
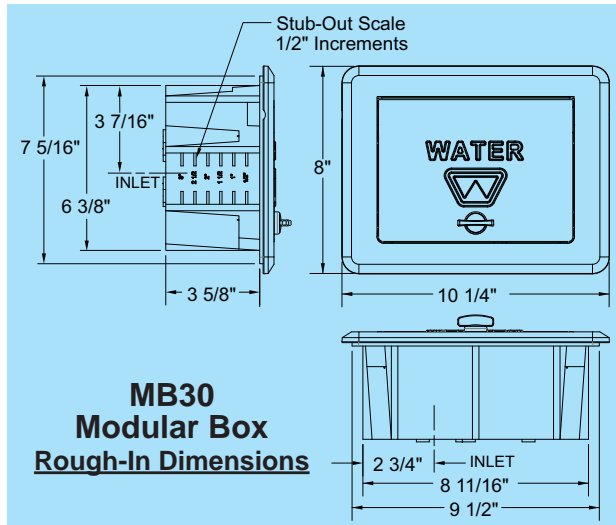
See reverse side for available Door & Fascia Repair Kit.

When ordering, specify MB30BX or MB30BX-K

WOODFORD



Woodford
Excellence
Since 1929
Proudly Made In The U.S.A.



Determine Overall Length requirement, then order appropriate faucet size.
Order Example:
MB30 + 30CP-10 = 15 1/8"

Wall Thickness	Overall Length
4	9 1/8"
6	11 1/8"
8	13 1/8"
10	15 1/8"
12	17 1/8"
14	19 1/8"
16	21 1/8"
18	23 1/8"
20	25 1/8"
22	27 1/8"
24	29 1/8"

Replaceable Composite Door & Fascia RK's

Shipped in individual carton - Shipping Weight: 1 lb-5 oz



RK-30MBDR
Thumb Latch Cylinder Lock



RK-30MBDR-K
Key Cylinder Lock

Products are manufactured under one or more of the following U.S. Patents: 3,414,001; 4,178,956; 4,316,481; 4,532,954; D216,790; D216,791; D277,365; D277,366; Canada Patents: 852,529; 865,995; 1,146,438

For more information contact...

WOODFORD MANUFACTURING COMPANY

2121 Waynoka Road, Colorado Springs, Colorado 80915 • Phone: (800) 621-6032 • Fax: (800) 765-4115
To view our complete product line visit: www.woodfordmfg.com or email: sales@woodfordmfg.com

A Division Of WCM Industries, Inc.