

# DAYTON® SPECIFICATIONS

## Kingsford® Single Bowl Sink Models K12521, K12522 and KJ12522 Series

### GENERAL

Sink is formed of #23 gauge, 300 series, nickel-bearing stainless steel. Top mount.

### DESIGN FEATURES

Bowl Depth: 6" (K12521 series), 6-1/16" (K(J)12522) series.

Rim Height: 3/16" (5mm)

Faucet Deck: Raised

Coved Corners: 4" (102mm) vertical and 3-1/4" (83mm) horizontal radius.

Bowl Finish: Exposed surfaces are polished to a satin finish.

Underside: Undercoated on bottom of bowl.

### OTHER

Drain Opening: 3-1/2" (89mm)

Note: Unless otherwise specified, sink is furnished with 4 faucet holes as shown.

Installation Hardware: Included for 3/4" (19mm) countertop.

### OPTIONAL ACCESSORIES

Bottom Grid: GBG2115SS

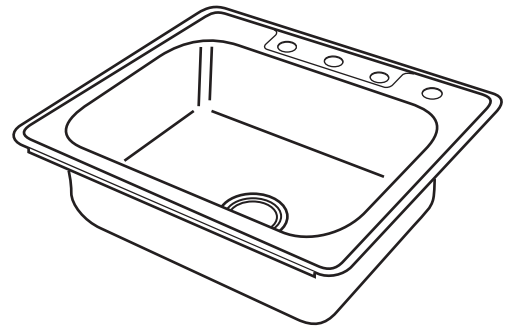
Cutting Board: CB1516

Drain: LK35, D1125

Sink complies with ASME A112.19.3-2008 / CSA B45.4-08.



These sinks are listed by the International Association of Plumbing and Mechanical Officials as meeting the requirements of the Uniform Plumbing Code and the National Plumbing Code of Canada.



Model K125224

### SINK PACKAGE

K125224DF includes: (1) Sink - K125224, (1) Faucet - LK2478CR, and (1) Drain.

### FAUCET FEATURES

Chrome finished, single-lever kitchen faucet with side spray.

Flexible supply tubes with 1/2" (13mm) male IPS adapters.

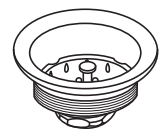
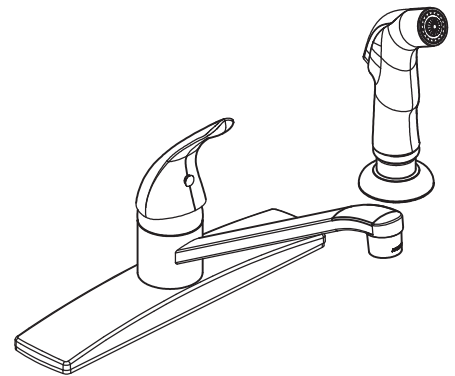
Faucet complies with: ADA, ASME A112.18.1/CSA B125.1, cUPC, CA AB1953

Faucet flow rate: 2.2 GPM/8.3 L/min at 60 P.S.I.G.

### DRAIN FEATURES

Stainless steel body and strainer.

Fits 3-1/2" (89mm) opening.



*In keeping with our policy of continuing product improvement, Elkay reserves the right to change product specifications without notice.*

*This specification describes an Elkay product with design, quality and functional benefits to the user. When making a comparison of other producers' offerings, be certain these features are not overlooked.*

# DAYTON<sup>®</sup> SPECIFICATIONS

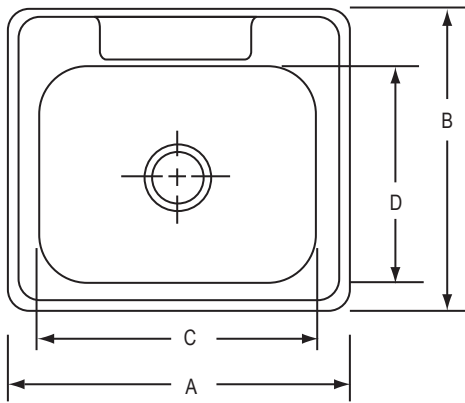
## Kingsford<sup>®</sup> Single Bowl Sink Models K12521, K12522 and KJ12522 Series

### SINK DIMENSIONS (INCHES)\*

U-Channel Model Number	J-Channel Model Number	Overall		Inside Bowl			Cutout in Countertop (1-1/2" (38mm) Radius Corners)		No. of 1-1/2" (38mm) Dia. Faucet Holes 4" (102mm) Center	Minimum Cabinet Size
		L	W	L	W	D	L	W		
		A	B	C	D	E	L	W		
K12521	—	25 (635mm)	21-1/4 (540mm)	21 (533mm)	15-3/4 (533mm)	6 (152mm)	24-3/8 (619mm)	20-5/8 (524mm)	1, 2, MR2, 3, 4, or 5	30 (762mm)
K12522	KJ12522	25 (635mm)	22 (559mm)	21 (533mm)	15-3/4 (533mm)	6 (152mm)	24-3/8 (619mm)	21-3/8 (543mm)	1, 2, MR2, 3, 4, or 5	30 (762mm)

\*Length is left to right. Width is front to back.

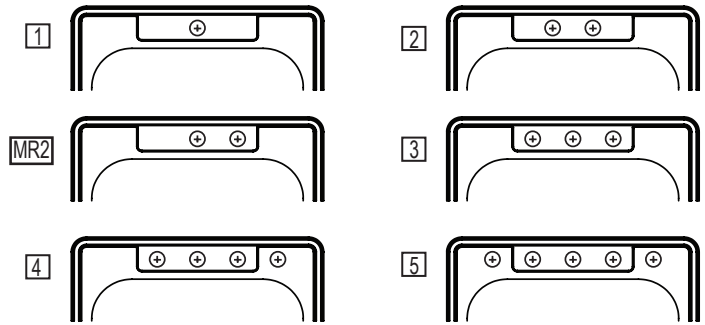
† 2 hole only available for model K12522.



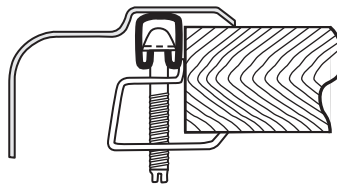
E is Bowl Depth

### Hole Drilling Configurations

1-1/2" (38mm) Diameter Faucet Holes on 4" (102mm) Centers



### U-Channel Type Mounting System



### J-Channel Type Mounting System

