

Item No.:	_____	Qty.	_____
Model No.:	_____		
Project No.:	_____		



Specifications

11" Super Economy Series Sink, with three compartments, both left and right drainboards, 9" backsplash, 18 gauge, 300 series stainless steel top and bowl, galvanized legs & adjustable feet, raised 1-1/2" rolled edge, includes 3-1/2" basket strainer, NSF approved

Features

- 18 Ga. stainless steel
- Welded construction for consistent metal gauge thickness throughout
- 11" (279.4 mm) deep tub with 3/4" (19.1 mm) coved radius tub corners
- All drainboards are die stamped for positive drainage
- 9" (228.6 mm) backsplash with tile ledge for easy installation
- Raised 1-1/2" (38.1 mm) diameter rolled edge
- 3-1/2" (88.9 mm) drain with basket strainers included
- 1-5/8" (41.3 mm) galvanized legs with 1" (25.4 mm) adjustable plastic feet

Flyer Product

In keeping with our policy of continuing product improvement, Elkay SSP reserves the right to change product specifications without notice.

11" Super Economy Series Sinks

11" Deep Super Economy Three Compartment Stainless Steel Sinks

- SE3C18X18-2-18X
- SE3C24X24-2-24X

Options

- Faucets
- Tub Accessories
- Undershelves
- Rotary Drain Options
- H-Frame Stainless Steel Legs
- Stainless Steel Feet Options (bullet & flange styles)

Materials

- Sink & Bowl: 18 Ga. 300 series stainless steel
- Top: Drainboards and backsplash are 18 gauge 300 series stainless steel.
- Legs: All sinks furnished with 1-5/8" (41.3 mm) diameter heavy gauge galvanized tubing with plated galvanized leg gussets and high impact corrosion resistant fully adjustable 1" (25.4 mm) feet.

Mechanical

- 1-1/8" (28.6mm) faucet holes on 8" (203mm) centers
- 3-1/2" (88.9mm) waste drain opening



AUTOQUOTES



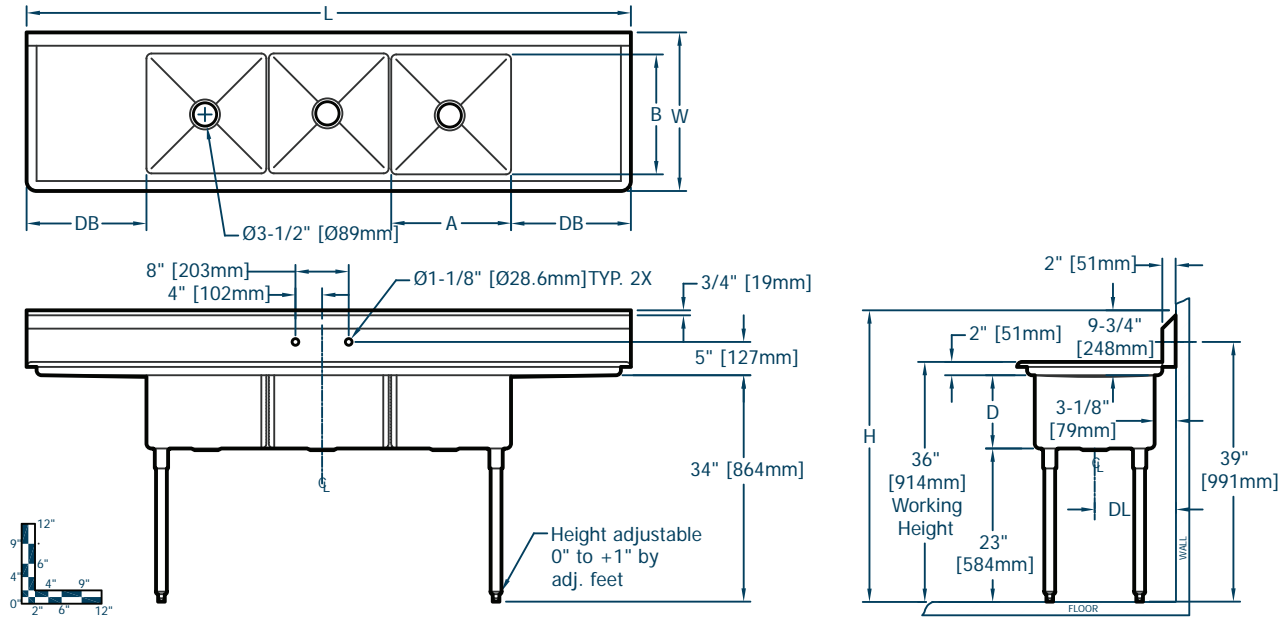
This specification describes an Elkay SSP product with design, quality and functional benefits to the user. When making a comparison of other producers' offerings, be certain these features are not overlooked.



Item No.: _____ Qty. _____
 Model No.: _____
 Project No.: _____

11" Super Economy Series Sinks

11" Deep Super Economy Three Compartment Stainless Steel Sinks



11" Super Economy Series Sinks																			
Model Number	Bowl Dimensions						Overall Size			Drainboard		Drain Location		Weight					
	Width		Front-to-Back		Depth		Length		Width		Height		Location	Size	Location	lbs.	kg		
	A	mm	B	mm	D	mm	L	mm	W	mm	H	mm	DB	mm	DL	mm			
SE 3C 18 X 18 2 18 X	18	457	18	457	11	279	90	2286	23.8	605	43.8	1111	L & R	18	457	12	305	97	44
SE 3C 24 X 24 2 24 X	24	610	24	610	11	279	120	3048	29.8	757	43.8	1111	L & R	24	610	15	381	133	60

