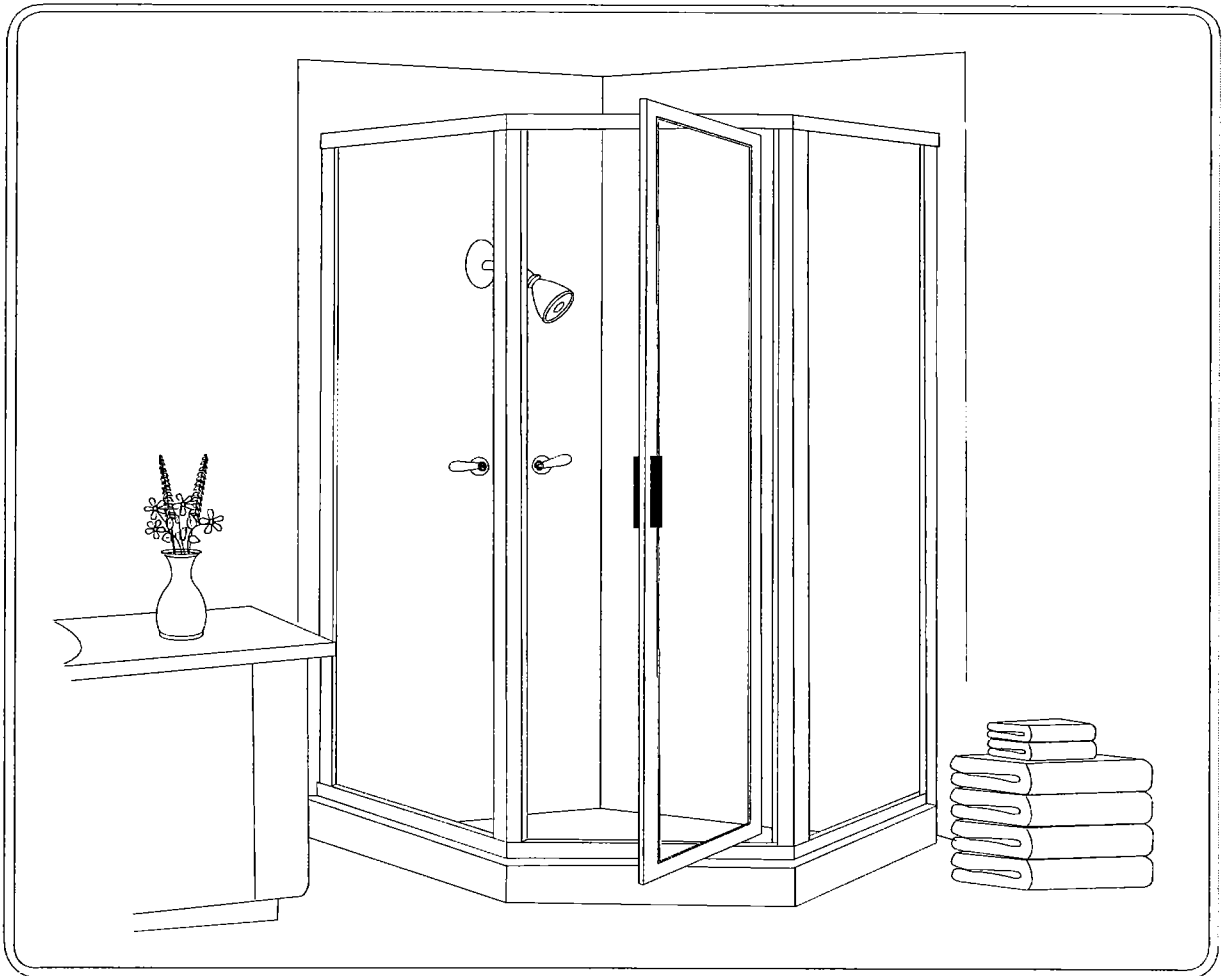


# QUICK'NSTALL

## INSTALLATION INSTRUCTIONS

# NEO-ANGLE ENCLOSURE



**MAINTENANCE:** Two primary materials are used to manufacture your new enclosure: tempered glass and anodized aluminum. To assure a long lasting finish on the enclosure, wipe it down with a towel after each use. Never use a scouring agent to clean the aluminum.

For occasional, more concentrated cleaning efforts, we find that *Lysol Bathroom Cleaner* works extremely well. Be sure that any over spray falling on the aluminum frame is rinsed thoroughly and dried. Many over-the-counter cleaners, if applied to the aluminum and left on, will harm the metal finish and cause permanent damage, even though their directions indicate safe use on shower doors.

**INSTALLATION NOTES:** Unpack your unit carefully and inspect for freight damage. Lay out and identify all parts using the instruction sheets as a reference. Before discarding the carton, check to see that no small hardware parts have fallen to the bottom of the box. If any parts are damaged or missing, refer to the descriptions noted in the instructions when contacting your dealer for replacements.

Handle the glass panels carefully and protect the edges.

Please wear safety glasses whenever drilling or cutting. When drilling holes in the ceramic tile or marble, use a center punch and hammer to carefully break the surface glaze so the drill can start without skidding.

To install your Shower Door you will need the following: tape measure, level, #2 Phillips screwdriver, 3/16" wrench, drill, 1/8" and 3/16" drill bits, hacksaw, pencil, and caulking (clear silicone recommended). Optional tools include a miter box for cutting parts to length, files, center punch, and masking tape. For drilling tile a 3/16" masonry bit is recommended.

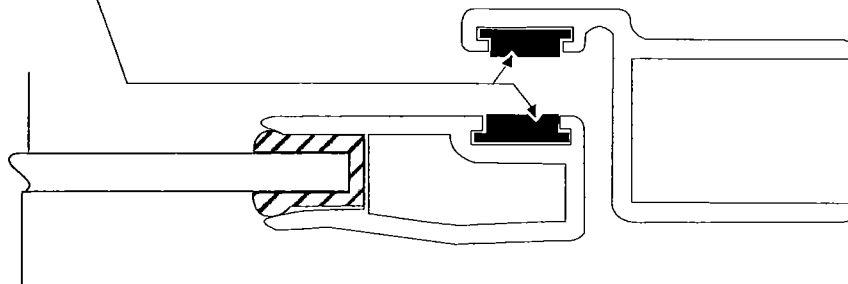
**NOTE: Tempered glass cannot be cut.**

**Although safety tempered glass is very resistant to breakage, the glass can still break if unequal pressure is placed on it during installation. Use caution. In addition, the sharp corners of the panels can damage tile and floor surfaces, so it is best to handle the glass panels carefully and protect the edges.**

## IDENTIFICATION GROOVE

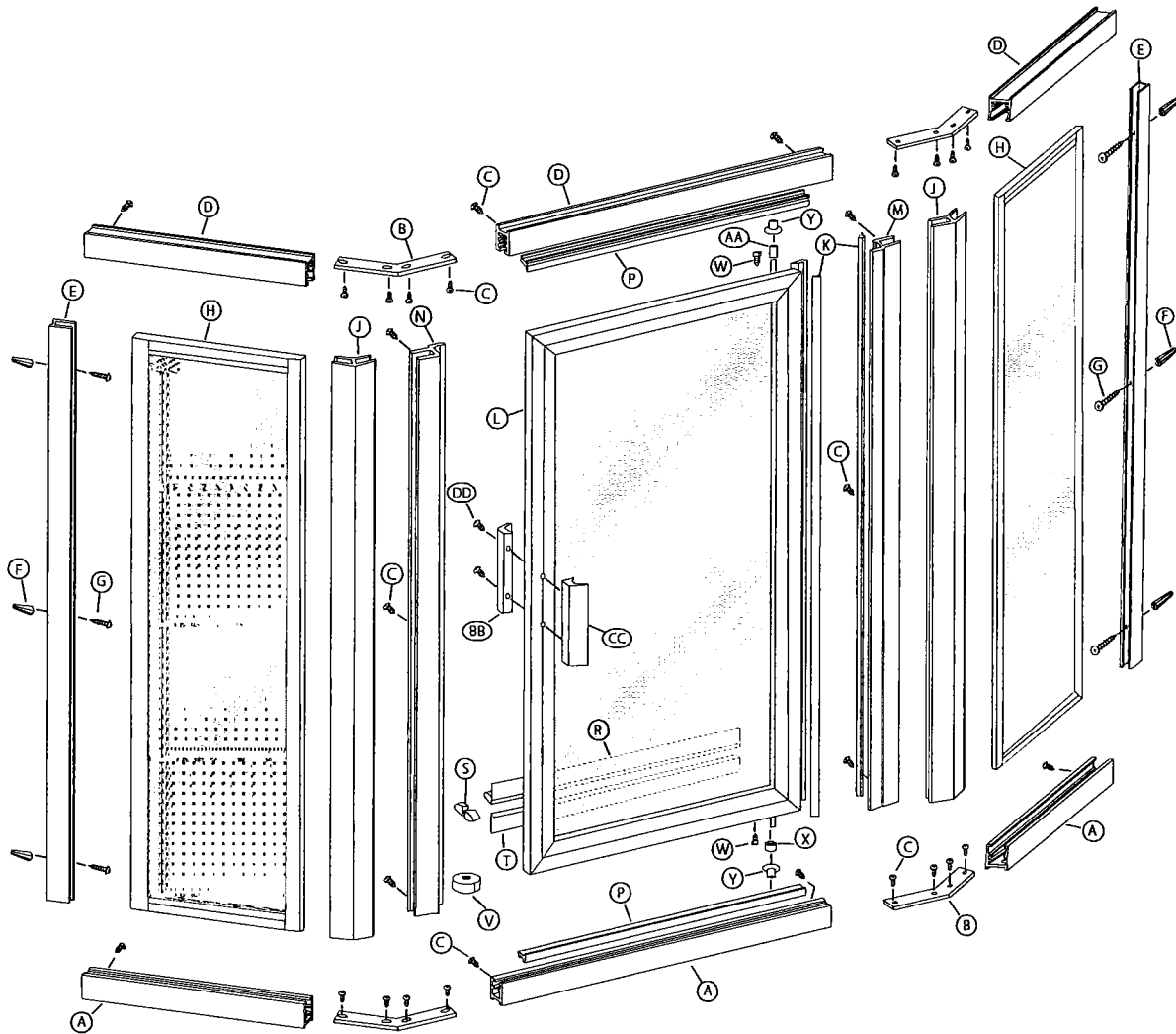
**NOTE :** Each magnetic strip has an identification groove on the exposed surface. For proper alignment, the grooves should be opposite each other (see detail).

Identification Groove



## Quick-N-Stall Parts List

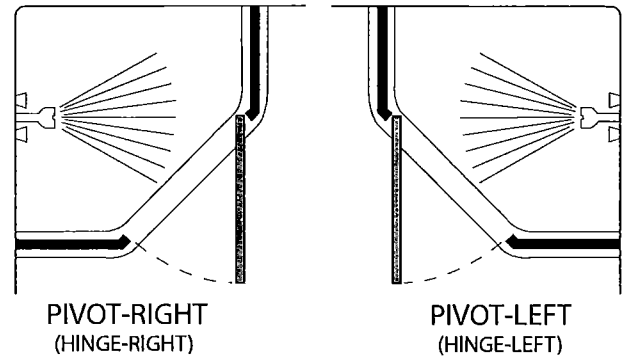
- |  |  |   |
|--|--|---|
| <p>A. 3 Curb Sections<br/>         B. 4 135° Anchor Plates<br/>         C. 30 #8 x 1/4" Truss Head Screws<br/>         D. 3 Header Sections<br/>         E. 2 Wall Jamb<br/>         F. 6 Plastic Wall Anchors<br/>         G. 6 #8 x 1 1/2" Truss Head Screws<br/>         H. 2 Pre-Glazed Side Panels<br/>         J. 2 135° Posts</p> | <p>K. 2 Clear Vinyl Jamb Seals<br/>         L. 1 Glazed Door Panel<br/>         M. 1 Pivot Jamb<br/>         N. 1 Strike Jamb (Magnetic)<br/>         P. 2 Snap-in Fillers<br/>         R. 1 Drip Rail<br/>         S. 2 Drip Plugs<br/>         T. 1 Tapered Drip Vinyl<br/>         V. 1 Roll Double Stick Taped</p> | <p>W. 2 #10 x 7/16" Sq. Head Set Screws<br/>         X. 1 Nylon Spacer<br/>         Y. 2 Nylon Pivot Bushings<br/>         AA. 1 Security Washer<br/>         BB. 1 Interior Door Handle<br/>         CC. 1 Exterior Door Handle<br/>         DD. 2 #6 x 1 1/4" Round Head Screws</p> |
|--|--|---|



# 1

The **Quick-N-Stall** Shower Enclosure is completely reversible and may be installed pivot-left or pivot-right. For maximum waterproofing, the pivot jamb should be opposite the shower head. Using the diagram, determine the correct position for the door in your particular Quick-N-Stall installation. This instruction sheet depicts a pivot-right installation.

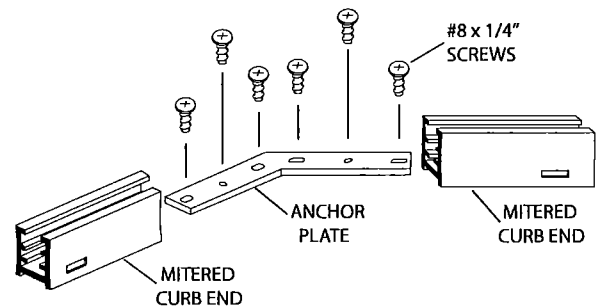
**CAUTION:** For safety reasons, the door panel must always open *outward*.



# 2

**NOTE:** If the curb and header sections come pre-assembled, skip to Step #3.

Assemble the three curb sections [A] (with weep slots) by sliding a 135° anchor plate [B] into the mitered ends and forcing the sections together. The weep slots in the curb must be to the inside. Screw four #8 x 1/4" truss head screws [C] through the slots in the anchor plates into the curbs. As you tighten the screws, be sure the mitered ends are forced tightly together. To increase the rigidity of the mitered joint, drill 1/8" holes into the curb through the round holes in the anchor and install two more #8 x 1/4" screws.



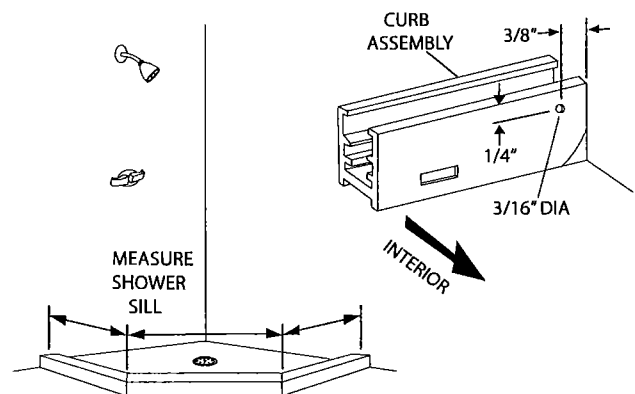
Assemble the three header sections [D] in the same manner and set the assembly aside.

# 3

The curb should sit near the centerline of the sill. If required, use a file to round the lower ends of the curb assembly to fit the shower sill properly.

Using a 3/16" drill bit, drill the interior face of the curb assembly on both ends as shown. These holes may be predrilled from the factory.

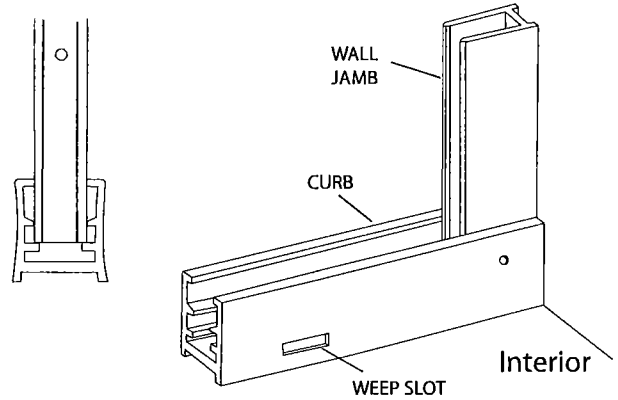
Reposition the curb assembly on the shower sill and mark its position with a pencil line along the interior and exterior base.



# 4

Place the two wall jambs [E] into the ends of the curb assembly [A]. Plumb the jambs and mark the hole locations on the wall. Masking tape may be used to hold the curb in place during this operation. Remove all parts and drill the walls for mounting hardware.

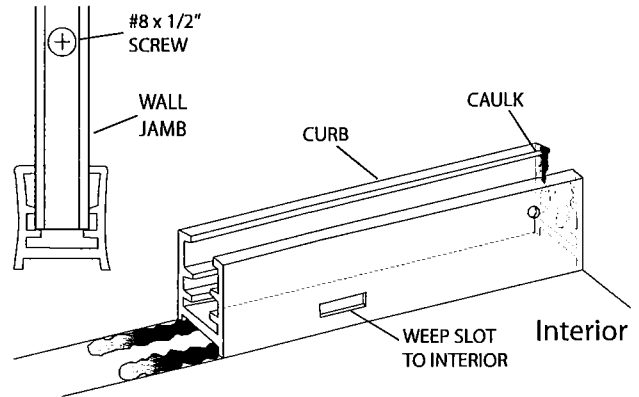
For tile or marble walls, drill six 3/16" diameter holes and insert the plastic wall anchors [F]. Attachments to fiberglass or acrylic units can be made in two ways. If reinforcement is built into the wall of the unit, drill six 1/8" diameter holes to install mounting screws directly into the reinforcement. If walls are not reinforced, drill 3/16" holes and install plastic wall anchors or Molly bolts



# 5

Wipe the shower walls and sill, curb assembly [A] and wall jambs [E] with a clean, dry cloth to remove any dust or debris. Apply a 1/4" bead of caulk along the inside of both of the pencil lines marked in Step #3. Carefully replace the curb assembly in the exact position marked. Caulk the inside of the curb ends where they meet the wall. Caulk around the anchor plates [B], screws [C], and the insides of the mitered joints.

Replace both wall jambs and attach to the walls with six #8 x 1 1/2" truss head screws [G].



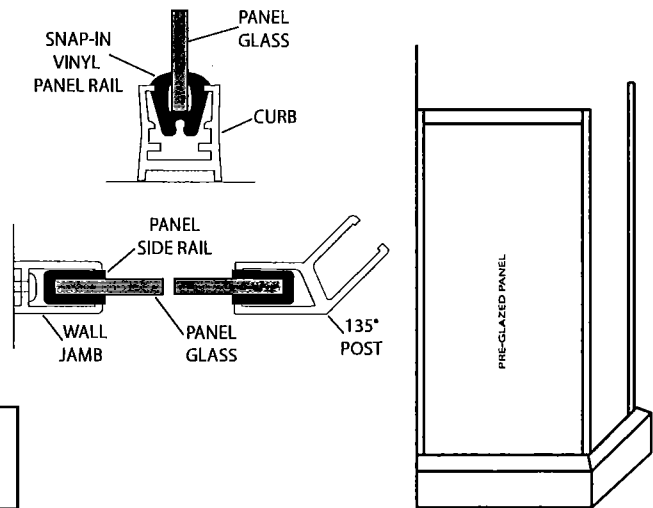
# 6

**NOTE:** Panels with obscure or etched glass should be installed with the rough surface of the glass to the exterior of the unit.

Snap one of the side panels [H] into the curb [A] next to the wall jamb [E]. Slide the panel over into the wall jamb. Press a 135° post [J] into the curb. Slide the side panel across until it is centered between the wall jamb and post. Use masking tape to hold the post in position temporarily.

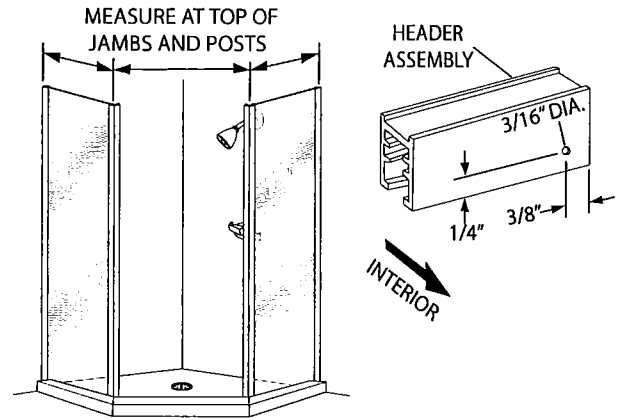
Repeat for the other side panel and 135° post.

**NOTE:** By sliding a bar of soap across the black plastic top and bottom, this will aid in the panel snapping into the curb and header.



# 7

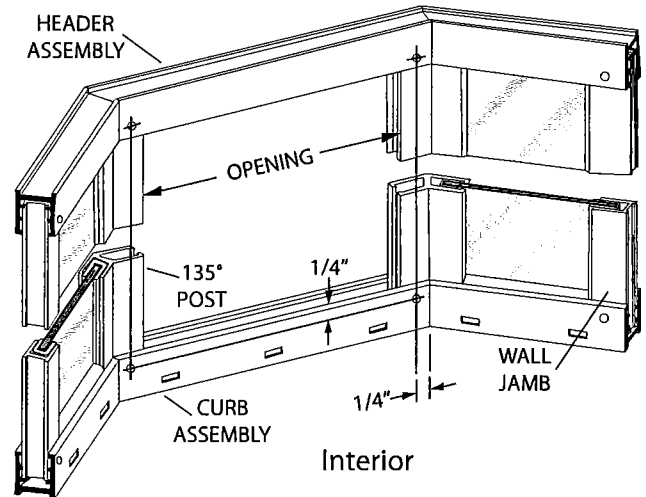
Using a 3/16" drill bit, drill the interior face of the header assembly on both ends as shown. These holes may be predrilled from the factory.



# 8

Press the header assembly [D] over the wall jambs [E], the 135° posts [J] and the pre-glazed panels. Check the posts for plumb. Adjust as required by varying the overlap of the header over the wall jambs. You may need to trim the ends of the header where it meets the wall. The minimum horizontal dimension for the door opening is the door panel width (see the graphic in Step #9) plus 1/2", maximum is the door panel width plus 1 3/4".

Using the holes in the ends of the header and curb as a guide, drill four 1/8" holes into the wall jambs. Drill 1/8" holes thru the header and curb into each 135° post as shown, then enlarge the outer holes with a 3/16" drill for clearance on the self-tapping screws. Secure the header and curb to the wall jambs and posts with eight #8 x 1/4" truss head screws [C].

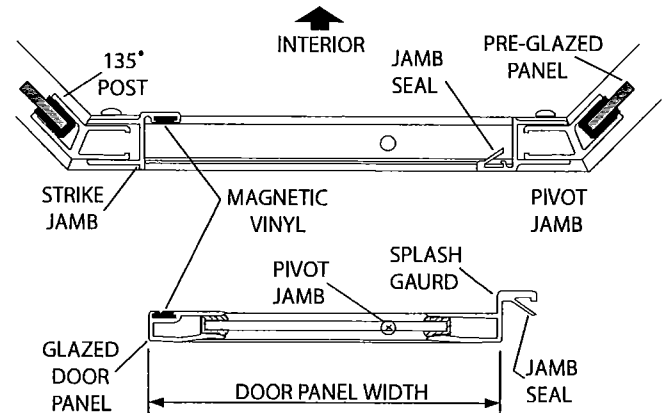


# 9

Strip two clear vinyl jamb seals [K] into the door panel [L] splash guard and the pivot jamb [M] and trim flush at both ends. Both vinyls should be turned to trap water from the shower head. Secure the vinyls with a small quantity of glue or caulk at each end or by carefully crimping the vinyl pocket. Set the door panel aside.

Press the pivot jamb and strike jamb [N] (with magnetic strip) over the two 135° posts [J]. Refer to Step #1 for the proper handling of the door.

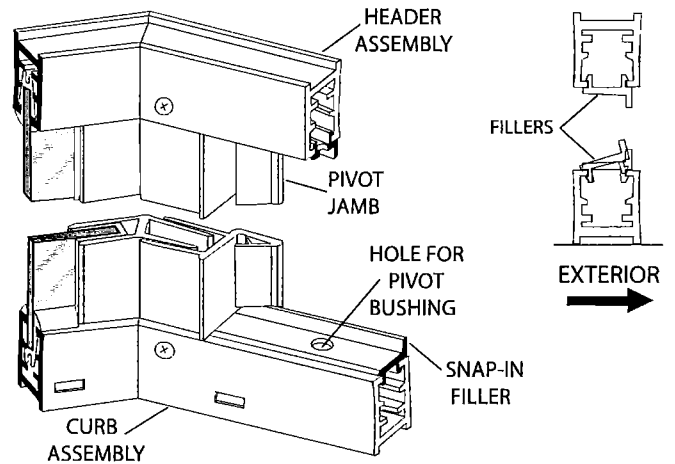
NOTE: The magnetic strip on the strike jamb must face the exterior and the clear vinyl jamb seal on the pivot jamb must face inward.



# 10

Snap the fillers [P] into the curb assembly [A] and header assembly [D] between the door jambs with the **RAISED LIP TO THE EXTERIOR** and the pivot holes toward the pivot jamb [M]. Center the curb filler in the curb between the pivot and strike jamb [N] (use masking tape to hold in position).

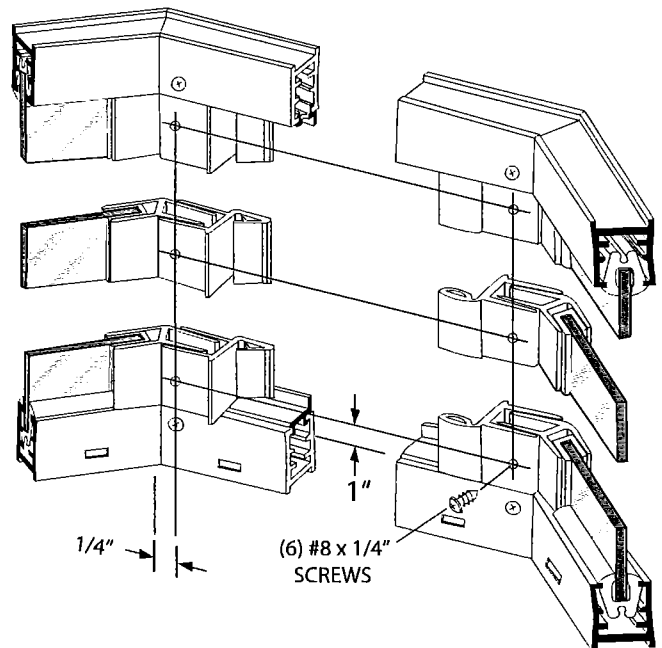
NOTE: The snap-in-fillers should be exactly 3/8" longer than the door panel width.



# 11

Pull the bottom end of the pivot jamb [M] tight to the curb filler [P] and plumb the jamb. Drill two 1/8" holes thru the pivot jamb and into the 135° post [J] in line with the screws in the head and curb and approximately 1" vertically from the ends of the jamb. Drill a third hole centered between the first two. Attach the pivot jamb permanently with three #8 x 1/4" truss head screws [C].

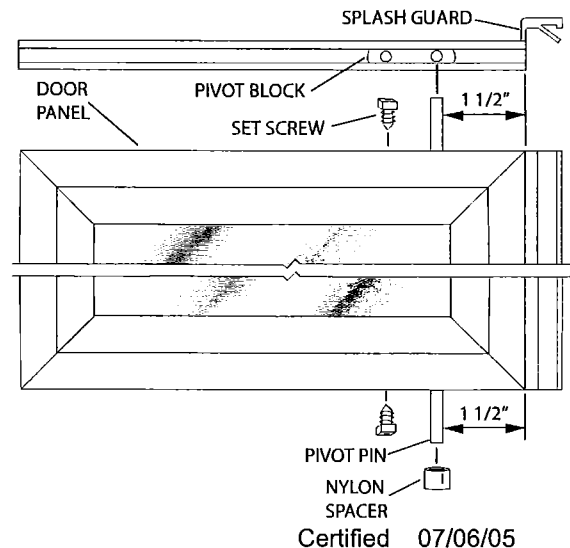
Slide the header filler [P] tight against the pivot jamb. Push the strike jamb [N] tight against the fillers top and bottom. With the pivot jamb plumb and both fillers tight between the two door jambs, the strike jamb also will be plumb and parallel to the pivot jamb. Attach the strike jamb to the other 135° post [J] in the same manner as the pivot jamb.



# 12

Insert the two #10-24 x 7/16" square head set screws [W] into the threaded holes in the pivot blocks in the top and bottom rails of the glazed door panel [L]. Position the pivot pins 1 1/2" from the pivot side of the door (the side opposite the magnetic strip). Tighten the set screws just enough to prevent the pivot blocks from moving (finger tight plus a quarter turn). A 3/16" wrench will fit the set screw heads.

Press the white nylon spacer [X] over the bottom pivot pin on the door panel.

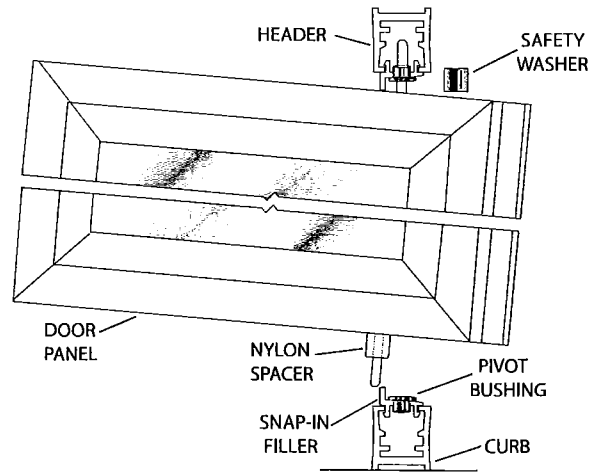


# 13

Insert the two nylon pivot bushings [Y] into the pivot holes in the head and curb fillers [P].

Lift the door panel [L] and insert the top pivot pin into the pivot bushing in the header filler. Hold the door vertical and insert the bottom pivot pin into the pivot bushing in the curb filler. It may be necessary to remove the header retaining screws and raise the header slightly to install the door.

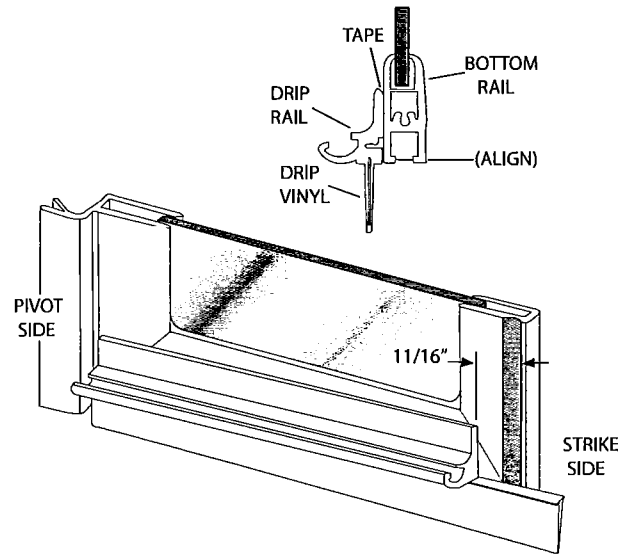
When the door has been set into place, snap the security washer [AA] over the top pivot pin to hold the upper pivot bushing in place and prevent accidental dislodging of the door.



# 14

The drip rail [R] is pre-cut from the factory. Clean the bottom rail and the drip rail thoroughly with rubbing alcohol to ensure proper adhesion. Unroll the double stick tape [V] and carefully apply it to the back of the drip rail (do not peel the tape backing yet).

Insert the tapered drip vinyl [T] into the drip rail. Position the drip rail flush with the bottom and pivot side of the door panel [L], then raise the strike side until the bottom edge of the drip vinyl is parallel to the curb [A]. Mark the location of each end of the drip rail.

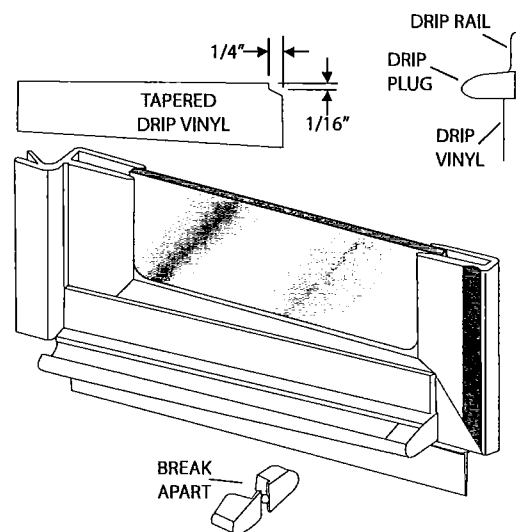


# 15

Adjust the drip vinyl [T] by sliding it left or right until it almost touches the curb. Trim the vinyl (flush with the pivot end and notch 1/4" longer than the drip rail as shown on the strike end).

The drip plug [S] is supplied with a left and right hand plug together. Break the right and left drip plug apart and insert the appropriate plug into the high (strike) side of the drip rail. Discard the unused drip plug. Peel off the tape backing and carefully press the drip rail [R] to the door in the marked position.

**NOTE:** Cleaners with alcohol content can dissolve the adhesive that attaches the drip rail. To prevent this possibility, place a small bead of clear sealant at the top of the drip rail where it is attached to the bottom rail.

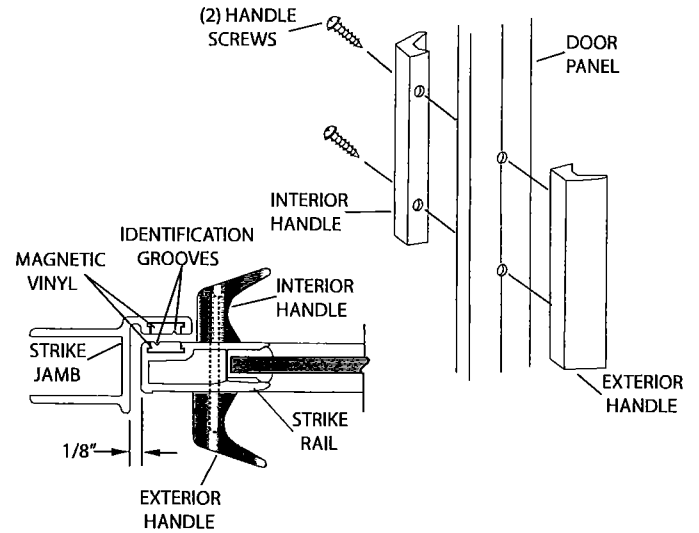




# 16

Attach the interior door handle [BB] and the exterior door handle [CC] to the door panel [L] with two #6-32 x 1 1/4" round head screws [DD].

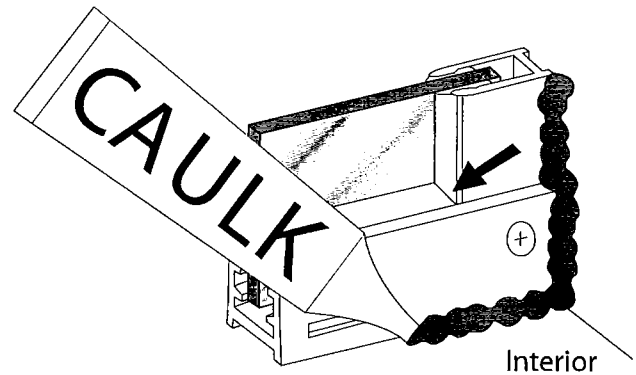
Close the door and check the clearance with the strike jamb [N]. If necessary, loosen the set screws [W] on the top and bottom slide bars and adjust the door panel to align the strike magnets. When the door panel is properly aligned, tighten the set screws securely.



# 17

Carefully caulk the interior jamb-to-wall and curb-to-base joints. Caulk the small gaps at the corners of the side panels (see arrow on illustration) to prevent water infiltration. For appearance, you may wish to caulk the exterior joints as well.

We recommend you wait twenty-four hours before the first shower to allow the caulking to cure properly.



Note: Do not caulk over weep holes