

TOTO®

CST406MF

Rowan™ High-Efficiency Toilet, 1.6GPF & 1.0GPF

FEATURES

- Dual-Max® flushing system, high-efficiency (1.6GPF/6.0LPF & 1.0GPF/3.8LPF)
- Elongated bowl
- Universal Height
- Close coupled, elongated front bowl and tank set, less toilet seat
- Chrome push-button
- 12" Rough-in

MODELS

- CST406MF

COMPONENTS

- C406F - Elongated Front Bowl
- ST405M - Tank and Cover only
- SS114 SoftClose® seat (sold separately)

COLORS/FINISHES

- Standard
 - #01 Cotton
 - #12 Sedona Beige



DUALMAX®
FLUSHING SYSTEM BY TOTO

CODES/STANDARDS

- Meets and exceeds ASME A112.19.2/CSA B45.1, ASME A112.19.14
- Certifications: IAPMO(cUPC), EPA WaterSense, State of Massachusetts, City of Los Angeles, and others
- Code compliance: UPC, IPC, NSPC, NPC Canada, and others
- Legislative Compliance: California AB715, California Green Building Code, City of Los Angeles Water Efficiency Ordinance

PRODUCT SPECIFICATION

The two-piece, universal height, high-efficiency Dual-Max flushing system toilet shall be 1.6GPF/1.0GPF. Toilet shall have high-profile tank, elongated front bowl and chrome push-button. Toilet shall be WaterSense certified. Toilet shall be TOTO Model CST406MF_____.



CST406MF

Rowan™ High-Efficiency Toilet, 1.6GPF & 1.0 GPF

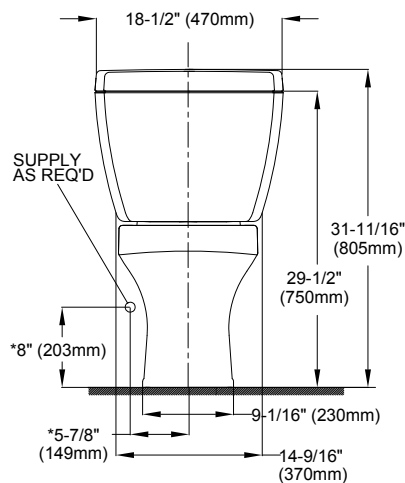
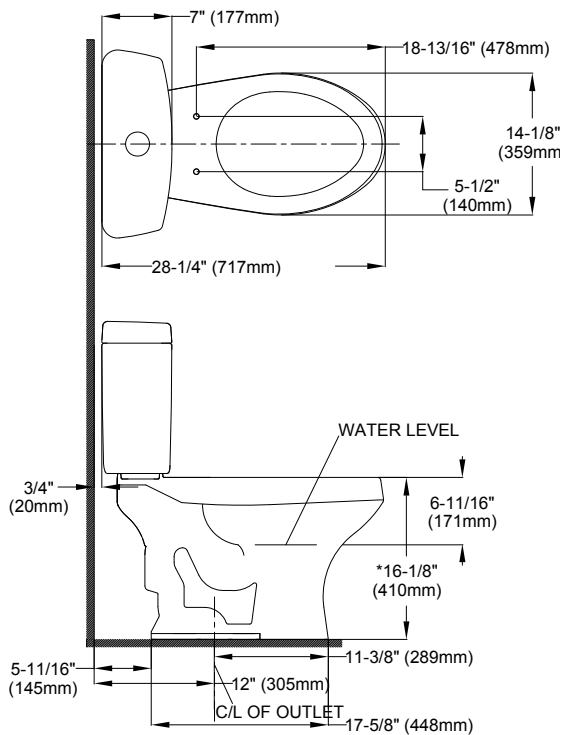
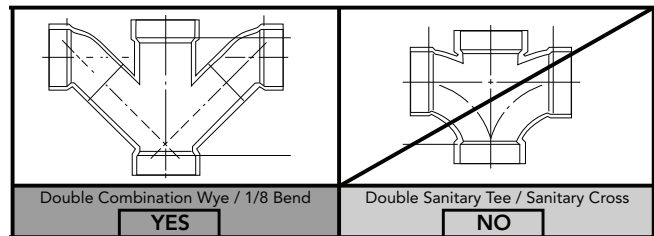
SPECIFICATIONS

- Water Use 1.6 GPF & 1.0GPF (6.0 LPF & 3.8LPF)
- Flush System Dual-Max
- Min. Water Pressure 8 psi (flowing)
- Water Surface 5-1/2" x 7-1/4"
- Trap Diameter 1-7/8"
- Rough-in 12"
- Trap Seal 2"
- Warranty One Year Limited Warranty
- Material Vitreous china
- Shipping Weight C406F - 53lbs
ST405M - 35lbs
- Shipping Dimensions C406F 28-1/2" x 16" x 17"

ST405M 20-1/2" X 8" X 18-3/4"

INSTALLATION NOTES

Back-to-Back Toilet Installations:
TOTO recommends the use of a nationally listed, double sanitary tee-wye only, in vertical waste stacks, in accordance with the stipulations noted in the majority of nationally recognized plumbing codes.



TOTO

* FLOOR TO SEAT HEIGHT
W/ SS114 SEAT: 17-1/4"

* SUGGESTED DIMENSION

These dimensions and specifications are subject to change without notice