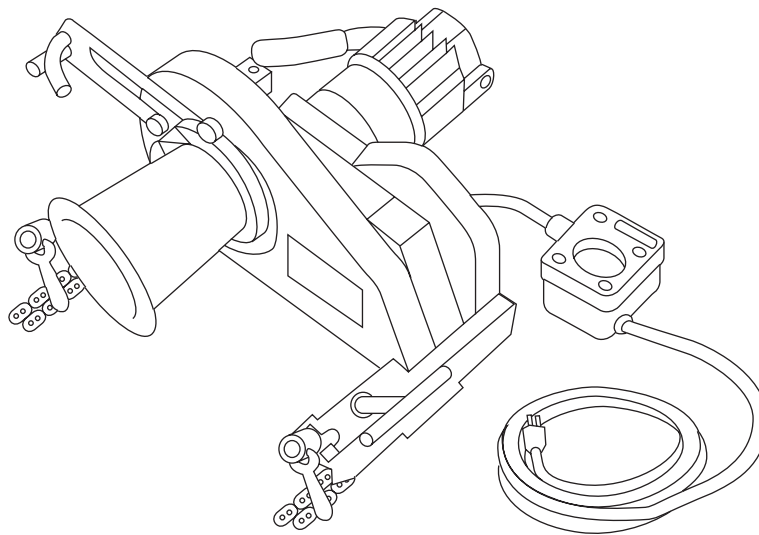


INSTRUCTION MANUAL



35346 Capstan Retrofit Kit **for Super Tugger[®]** **Models 6000, 6001 and 6006** **With Serial Code Prefix VB or VT**



Read and understand all of the instructions and safety information in this manual before operating or servicing this tool.

Table of Contents

Description	2
Purpose of this Manual	2
Important Safety Instructions	3-5
Grounding Instructions	6
Identification	7
Specifications	8
Cable Pulling Glossary	9
Cable Pulling Principles	10-18
Cable Pulling Systems	10
Pulling Theory	11
Cable Pulling Forces	12-16
Tailing the Rope	17
Summary of Cable Pulling Principles	18
Planning the Pull	18
Typical Setups	19-21
Setup and Operation	22-23
Removing Cable	24
Dual Pulling	25
Maintenance	26-28
Troubleshooting	29
Exploded Views and Parts Lists	30-42

Description

The Greenlee Super Tugger® cable puller is intended to be used to pull cable through conduit and in tray. The Super Tugger will develop 28.9 kN (6500 lb) of pulling force.

The Capstan Retrofit Kit is intended to improve early Super Tugger cable pullers with VB or VT serial code. The main components of the kit are a capstan unit, which consists of a tapered capstan and rope ramp, and capstan arm. These features are intended to enhance the safety of the Super Tugger.

See a Greenlee catalog for sheaves, pulling rope, and other cable pulling accessories rated for use with the Super Tugger to create an entire cable pulling system.

No single manual can provide instructions for every cable pulling application. This manual contains general information for pulling cable. Illustrations of some typical setups are also provided.

Safety

Safety is essential in the use and maintenance of Greenlee tools and equipment. This instruction manual and any decals on the tool provide information for avoiding hazards and unsafe practices related to the use of this tool. Observe all of the safety information provided.

Purpose of this Manual

This manual is intended to familiarize all personnel with the safe operation and maintenance procedures for Greenlee 6000-series Super Tugger cable pullers with Serial Code VB or VT.

Keep this manual available to all personnel.

Replacement manuals are available upon request at no charge.

All specifications are nominal and may change as design improvements occur. Greenlee Textron Inc. shall not be liable for damages resulting from misapplication or misuse of its products.

Super Tugger is a registered trademark of Greenlee Textron Inc.

Mobilgrease is a registered trademark of Mobil Oil Corporation.

KEEP THIS MANUAL

IMPORTANT SAFETY INFORMATION



SAFETY ALERT SYMBOL

This symbol is used to call your attention to hazards or unsafe practices which could result in an injury or property damage. The signal word, defined below, indicates the severity of the hazard. The message after the signal word provides information for preventing or avoiding the hazard.

⚠ DANGER

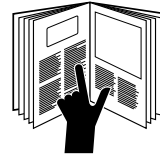
Immediate hazards which, if not avoided, **WILL** result in severe injury or death.

⚠ WARNING

Hazards which, if not avoided, **COULD** result in severe injury or death.

⚠ CAUTION

Hazards or unsafe practices which, if not avoided, **MAY** result in injury or property damage.



⚠ DANGER

Read and understand all of the instructions and safety information in this manual before operating or servicing this tool.

Failure to observe this warning will result in severe injury or death.



⚠ DANGER

Do not operate the cable puller in a hazardous environment. Hazards include flammable liquids and gases.

Failure to observe this warning will result in severe injury or death.




⚠ WARNING


Electric shock hazard:


Disconnect the cable puller from the power supply before servicing.

Failure to observe this warning could result in severe injury or death.

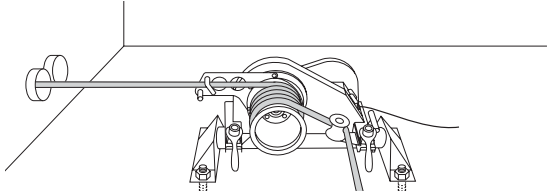
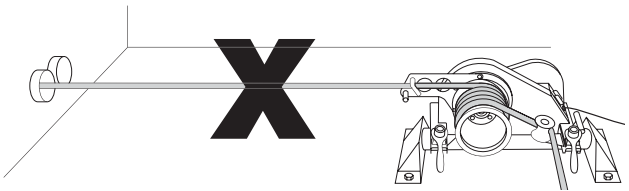
IMPORTANT SAFETY INFORMATION

	<p style="text-align: center;">⚠ WARNING</p> <p>Inspect all components of the cable-pulling system. Verify the maximum load-bearing capacity or maximum strength of all structural supports, pulling system components and anchoring systems before setting up the puller. Any component that cannot withstand the maximum cable-pulling forces may break and strike nearby personnel with great force.</p> <p>Failure to observe this warning could result in severe injury or death.</p>
---	---

	<p style="text-align: center;">⚠ WARNING</p> <p>Do not allow anything other than the pulling rope to contact the capstan. A grip, swivel, or other component could break and strike nearby personnel with great force.</p> <p>Failure to observe this warning could result in severe injury or death.</p>
---	--

	<p style="text-align: center;">⚠ WARNING</p> <p>Do not stand directly under a vertical pull. Cable could fall suddenly from the conduit, injuring nearby personnel.</p> <p>Failure to observe this warning could result in severe injury or death.</p>
---	---

<p style="text-align: center;">⚠ WARNING</p> <p>Do not operate puller if the anti-reverse mechanism is not working. If you do not hear the clicking of the anti-reversing pawl when the capstan is rotating, shut the puller off and have it repaired by an authorized Greenlee service center.</p> <p>Failure to observe this warning could result in severe injury or death.</p>

<p style="text-align: center;">⚠ WARNING</p> <p>Locate the puller so that it is close to the conduit. Rope, cable, or connectors can break under tension, causing the rope to whip violently.</p> <p>Failure to observe this warning could result in severe injury or death.</p>




<p style="text-align: center;">⚠ WARNING</p> <p>An under-rated rope may break and whip violently. Use a double-braided composite rope with the following characteristics:</p> <ul style="list-style-type: none"> • Maximum Rated Capacity: at least 28.9 kN (6500 lb) • Average Breaking Strength: at least 115.6 kN (26,000 lb) <p>Failure to observe this warning could result in severe injury or death.</p>
--


<p style="text-align: center;">⚠ WARNING</p> <ul style="list-style-type: none"> • Check the condition of the entire rope before use. A worn or damaged rope can break under tension and whip violently. • Do not maintain a stationary rope on a rotating capstan. The wear generated may cause the rope to break under tension and whip violently. <p>Failure to observe these warnings could result in severe injury or death.</p>

KEEP THIS MANUAL

IMPORTANT SAFETY INFORMATION


⚠ WARNING
<p>Attach the pulling rope to the cable with appropriate types of connectors as described in this manual. Select connectors with a maximum rated capacity of at least 28.9 kN (6500 lb). An under-rated connector can break under tension.</p> <p>Failure to observe this warning could result in severe injury or death.</p>

	<p style="text-align: center;">⚠ WARNING</p> <p>Keep hands away from the capstan. Rope at the capstan can crush a hand. Failure to observe this warning could result in severe injury or death.</p>
---	--

	<p style="text-align: center;">⚠ WARNING</p> <p>Do not wrap rope around hands, arms, waist or other body parts. Do not stand in spent coils or tailed rope. Hold rope so that it may be released quickly. Failure to observe this warning could result in severe injury or death.</p>
--	--

⚠ WARNING
<p>Rope, cable, or a connecting device can break under tension, causing the rope to whip violently.</p> <ul style="list-style-type: none"> • Do not allow any unnecessary personnel to remain in the area during the pull. • Do not allow any personnel to stand in line with the pulling rope. <p>Failure to observe these warnings could result in serious injury or death.</p>

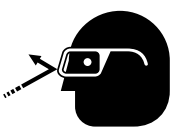
⚠ WARNING
<p>Do not allow the rope to become overlapped on the capstan. If an overlap begins to develop, relax the tailing force immediately and shut off the cable puller. Failure to observe this warning could result in severe injury or death.</p>

	<p style="text-align: center;">⚠ WARNING</p> <p>Do not operate without chain guards in place. Failure to observe this warning could result in severe injury or death.</p>
--	--

⚠ WARNING
<p>Use this tool for manufacturer's intended purpose only. Do not use the cable puller as a hoist or winch.</p> <ul style="list-style-type: none"> • The cable puller cannot lower a load. • The load may fall. <p>Failure to observe this warning could result in severe injury or death.</p>

⚠ WARNING
<p>Inspect puller and accessories before use. Replace any worn or damaged components with Greenlee replacement parts. A damaged or improperly assembled item can break and strike nearby personnel with great force. Failure to observe this warning could result in severe injury or death.</p>

⚠ WARNING
<p>Entanglement hazard:</p> <ul style="list-style-type: none"> • Do not operate the cable puller while wearing loose-fitting clothing. • Retain long hair. <p>Failure to observe these warnings could result in severe injury or death.</p>

	<p style="text-align: center;">⚠ WARNING</p> <p>Wear eye protection when using this tool. Failure to wear eye protection could result in severe eye injury from flying debris.</p>
--	---

KEEP THIS MANUAL

Grounding Instructions

120-Volt Model

	⚠ WARNING
	<p>Electric shock hazard.</p> <ul style="list-style-type: none"> • Do not modify the plug provided with the tool. • Connect this tool to a grounded receptacle on a 15-amp GFCI-protected circuit. <p>Failure to observe these warnings could result in severe injury or death.</p>

220-Volt Model

	⚠ WARNING
	<p>Electric shock hazard.</p> <ul style="list-style-type: none"> • Do not modify the plug provided with the tool. • Connect this tool to a grounded receptacle on a 15-amp GFCI-protected circuit. <p>Failure to observe these warnings could result in severe injury or death.</p>

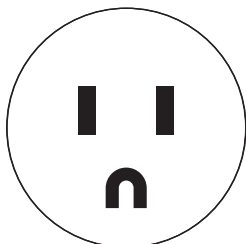
This tool must be grounded. In the event of a malfunction or breakdown, an electrical ground provides a path of least resistance for the electric current. This path of least resistance is intended to reduce the risk of electric shock.

This tool's electric cord has a grounding conductor and a grounding plug as shown. Do not modify the plug. Connect the plug to a corresponding receptacle that is properly installed and grounded in accordance with all national and local codes and ordinances. Do not use an adapter.

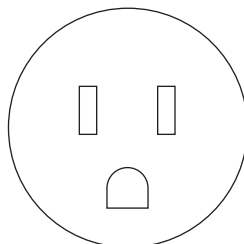
This tool must be grounded. In the event of a malfunction or breakdown, an electrical ground provides a path of least resistance for the electric current. This path of least resistance is intended to reduce the risk of electric shock.

This tool's electric cord has a grounding conductor and a grounding plug as shown. Do not modify the plug. Connect the plug to a corresponding receptacle that is properly installed and grounded in accordance with all national and local codes and ordinances. Do not use an adapter.

15 Amp/125 Volt Plug and Receptacle

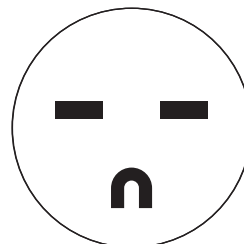


Plug

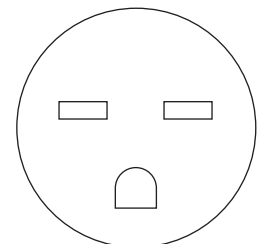


Receptacle

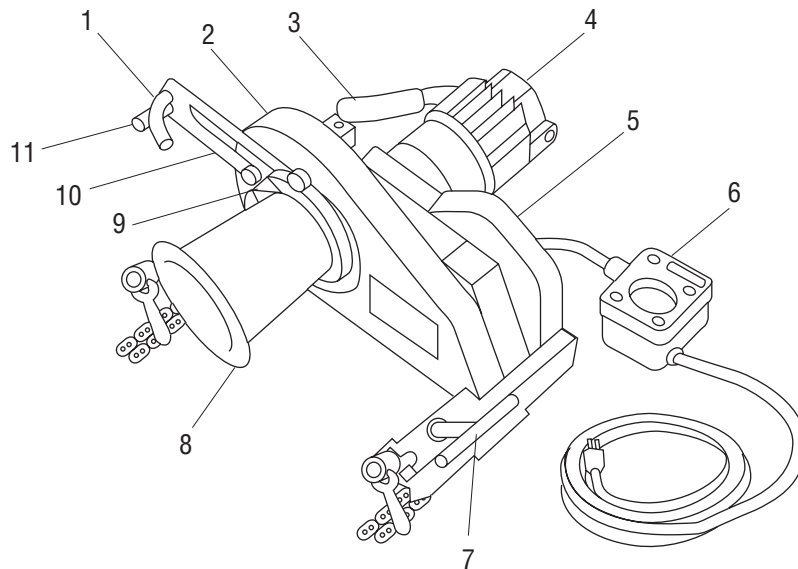
15 Amp/250 Volt Plug and Receptacle



Plug



Receptacle

Identification**Super Tugger® Identification**
(shown with Retrofit Kit installed)

- | | |
|-----------------------------------|--------------------------|
| 1. Entrapment Peg | 7. Handle/Cleat |
| 2. Capstan Chain Guard | 8. Tapered Capstan |
| 3. Handle | 9. Rope Ramp |
| 4. Motor | 10. Pivoting Capstan Arm |
| 5. Motor Chain Guard | 11. Positioning Peg |
| 6. Force Gauge with ON/OFF Switch | |

Specifications

Weight:	41.7 kg (92 lb)
Dimensions:	
Length	52.7 cm (20-3/4")
Width	57.2 cm (22-1/2")
Height	30.5 cm (12")
Power (120-Volt Model):	
Voltage	120 VAC, 60 Hz
Current	15 Amps
Source	15 Amp GFCI-Protected Circuit
Power (220-Volt Model):	
Voltage	220 VAC, 50 Hz
Current	7.5 Amps
Source	15 Amp GFCI-Protected Circuit
Maximum Pulling Force:	28.9 kN (6500 lb)
Speed:	
No load	5 m/min (16.5 ft/min)
8900 newtons (2000 lb)	3.4 m/min (11 ft/min)
17.8 kN (4000 lb)	2.3 m/min (7.5 ft/min)
Duty Cycle:	
0 - 22.2 kN (0 - 5000 lb)	Continuous Operation
22.2 - 24.5 kN (5000 - 5500 lb)	15 minutes on / 15 minutes off
24.5 - 28.9 kN (5500 - 6500 lb)	5 minutes on / 15 minutes off
Pulling Rope:	
Average Breaking Strength	115.6 kN (26,000 lb) minimum

Cable Pulling Glossary

anchoring system

any item or group of items that keeps a cable pulling component in place during the cable pull

capstan

the hollow cylinder of the cable puller that acts on the pulling rope to generate pulling force

coefficient of friction

the ratio that compares two amounts of force:
(1) the force needed to move an object over a surface and (2) the force holding the object against the surface
This ratio is used to describe how the capstan and the rope work together.

connector

any item, such as a wire grip, clevis, swivel, or pulling grip, that connects the rope to the cable

direct line of pull

the areas next to the pulling rope and along its path; this includes the areas in front of, in back of, and underneath the rope

maximum rated capacity

the amount of pulling tension that any component can safely withstand, rated in kilo-Newtons (metric) or pounds; the maximum rated capacity of every component must meet or exceed the maximum pulling force of the cable puller

Newton

a metric unit of force, equivalent to .225 pounds of force

pipe adapter sheave

attaches to conduit for pulling or feeding cable

pulling grip

connects the rope to the cable; consists of a wire mesh basket that slides over the cable and grips the insulation

pulling force

the amount of pulling tension developed by the cable puller, rated in Newtons (metric) or pounds; a cable puller is usually described by the maximum pulling force that it can develop

resultant force

any force that is produced when two or more forces act on an object; applies to the sheaves of a cable pulling system

rope ramp

a device that works with a tapered capstan; guides the rope onto the capstan to help prevent rope overlap

sheave

a pulley that changes the direction of the rope and cable

stored energy

the energy that accumulates in the pulling rope as it stretches, described in newton-meters (metric) or foot-pounds

support structure

any stationary object that a cable pulling system component is anchored to, such as a concrete floor (for the floor mount) or an I-beam (for a sheave)

tail

the portion of the rope that the operator applies force to; this is the rope coming off of the capstan, and is not under the tension of the pull

tailing the rope

the operator's main function; this is the process of applying force to the tail of the pulling rope—see the complete explanation under Principles of Cable Pulling

wire grip

connects the rope to the cable; some use a set screw to clamp onto the conductors of the cable

Cable Pulling Principles

Pulling cable is a complex process. This section of the manual describes and explains four main topics of pulling cable:

- each cable pulling system component
- how these components work together
- forces that are generated
- procedures for the cable puller operator to follow

While reading through this section of the manual, look for components that are shaded in the illustrations. The shading indicates components that are associated with the text.

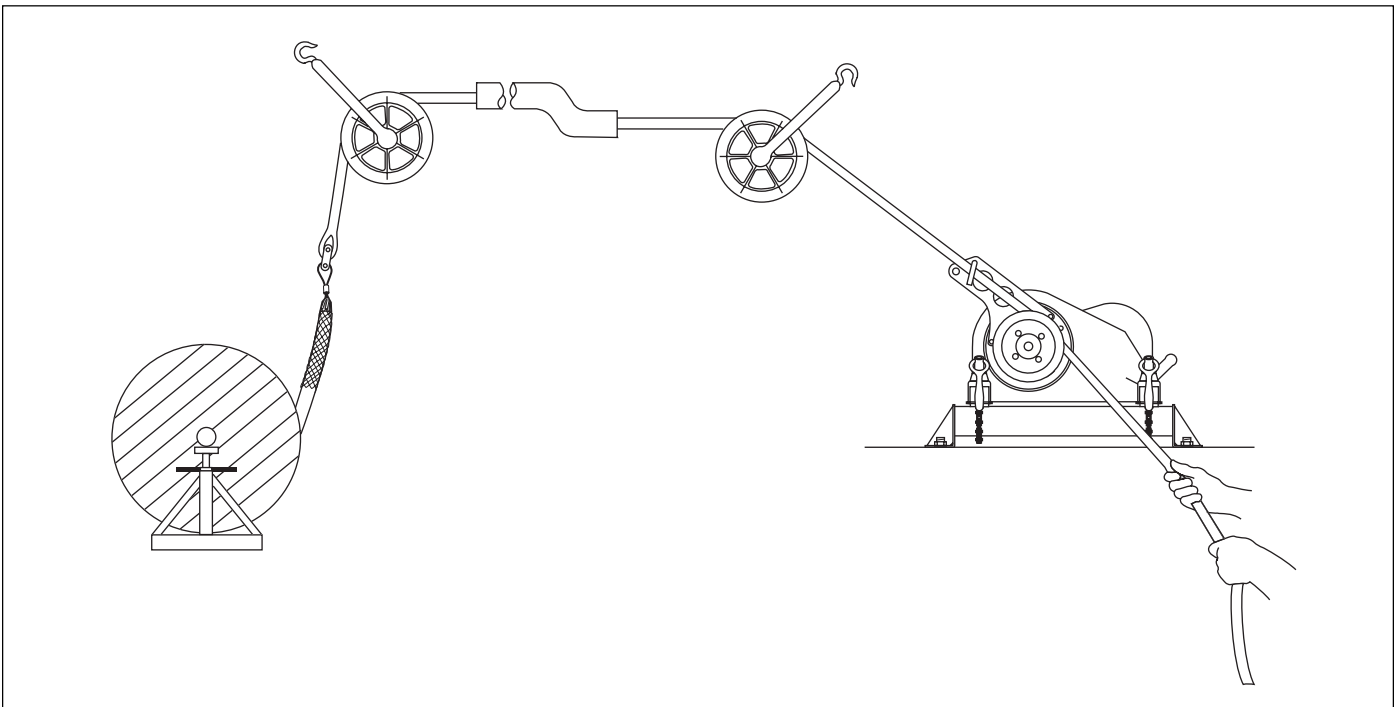
Greenlee strongly recommends that each member of the cable pulling crew review this section of the manual before each cable pull.

Cable Pulling Systems

Pulling cable requires a system of components. At a minimum, a cable pulling system will include a cable puller, a cable pulling rope, and connectors to join the rope to the cable. Most systems will also include, but are not limited to, a cable puller anchoring system, pulling sheaves and sheave anchoring systems.

The cable puller has a maximum amount of *pulling force*, which is the amount of pulling tension that it develops. Every other component of the pulling system has a maximum rated capacity, which is the amount of pulling tension that it can withstand. The *maximum rated capacity* of every component must meet or exceed the cable puller's maximum pulling force.

Typical Cable Pulling System



Cable Pulling Principles (cont'd)

Pulling Theory

This section introduces the main ideas involved with pulling cable.

Pulling Resistance

The cable puller must overcome two types of resistance: gravity and friction.

Gravity constantly exerts its force on the vertical portions of the run. When the pulling force is relaxed, gravity attempts to pull the cable downward. Friction develops where the cable contacts the sheaves, conduit and tray. Friction resists any movement, forward or backward, and tends to hold the cables in place.

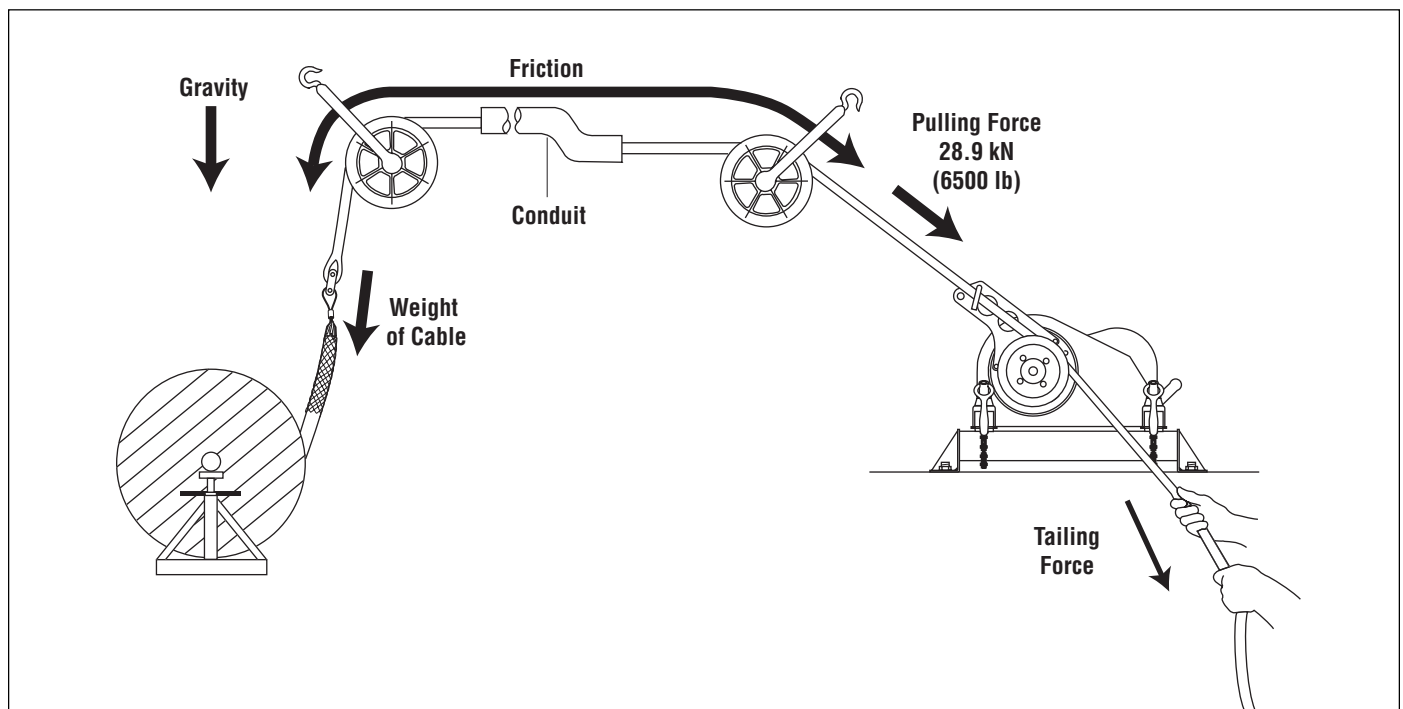
To accomplish a cable pull, the cable pulling system must develop more force than the combination of gravity and friction.

Generating Pulling Force

To generate pulling force, the capstan works as a *force multiplier*. The operator exerts a small amount of force on the rope. The cable puller multiplies this and generates the pulling force.

This pulling force is applied to the rope, connectors, and cable in order to accomplish the pull. The direction of force is changed, where necessary, with pulling sheaves.

Cable Pulling Theory Illustrated



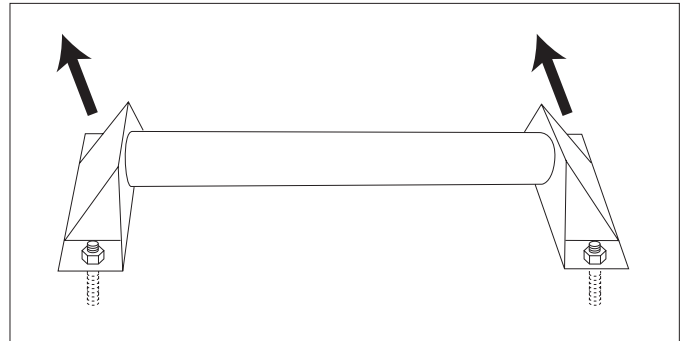
Cable Pulling Principles (cont'd)

Cable Pulling Forces

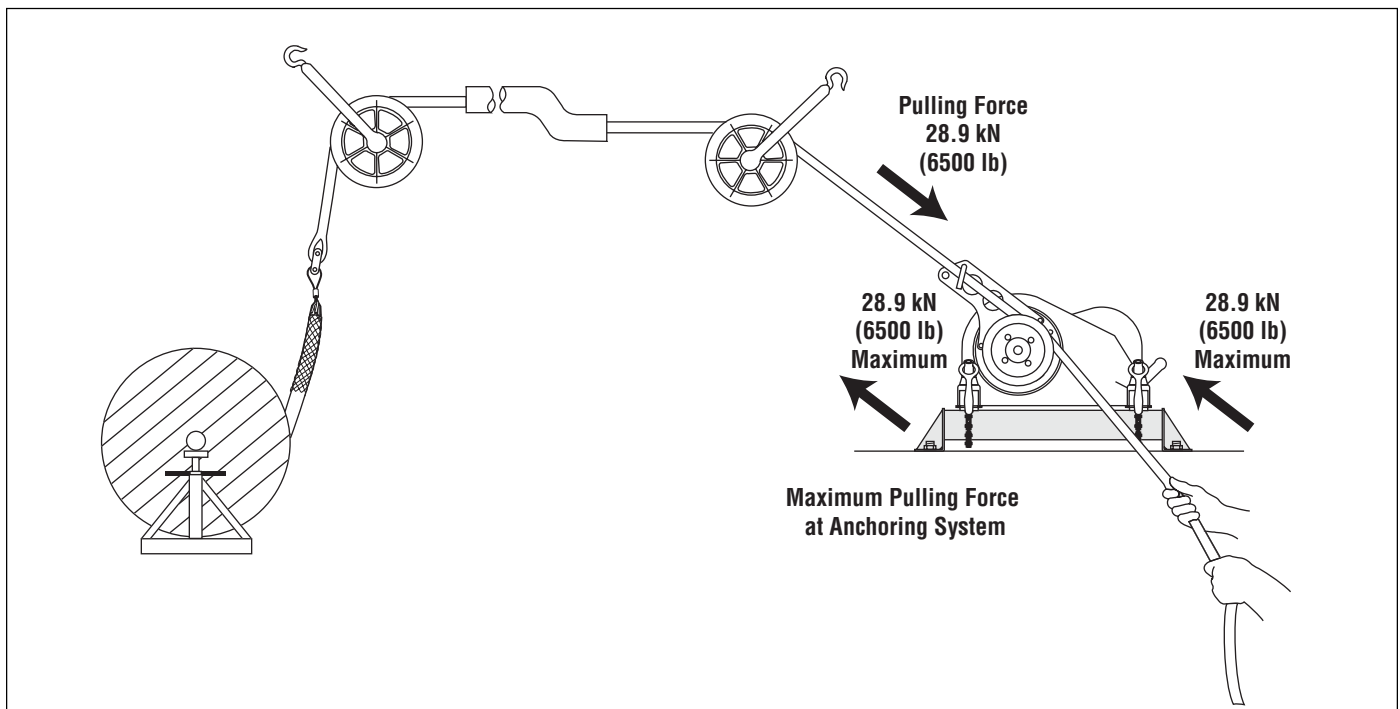
This section provides detailed explanations and illustrations of the forces that are generated during the cable pull. These explanations are based on the concepts presented in the previous section, Pulling Theory.

At the Cable Puller Anchoring System

The cable puller will exert its maximum pulling force on cable puller's anchoring system. It is extremely important the anchoring system can withstand this amount of force. See the instruction manual provided with your anchoring system for proper setup or installation.



Pulling Force at the Cable Puller's Anchoring System



Cable Pulling Principles (cont'd)

Cable Pulling Forces (cont'd)

At the Capstan

The capstan acts as a *force multiplier*. The operator exerts a small amount of tension, or tailing force, on the rope; the capstan multiplies this force to pull the cable. The resultant force depends upon the number of times the rope is wrapped around the capstan, as shown in the formula below.

$$\text{Pulling Force} = \text{Tailing Force} \times e^{0.0175\mu\theta}$$

Where: e = the natural logarithm, or 2.7183

μ = the coefficient of friction between the rope and the capstan *

θ = the number of degrees of wrap of rope around the capstan

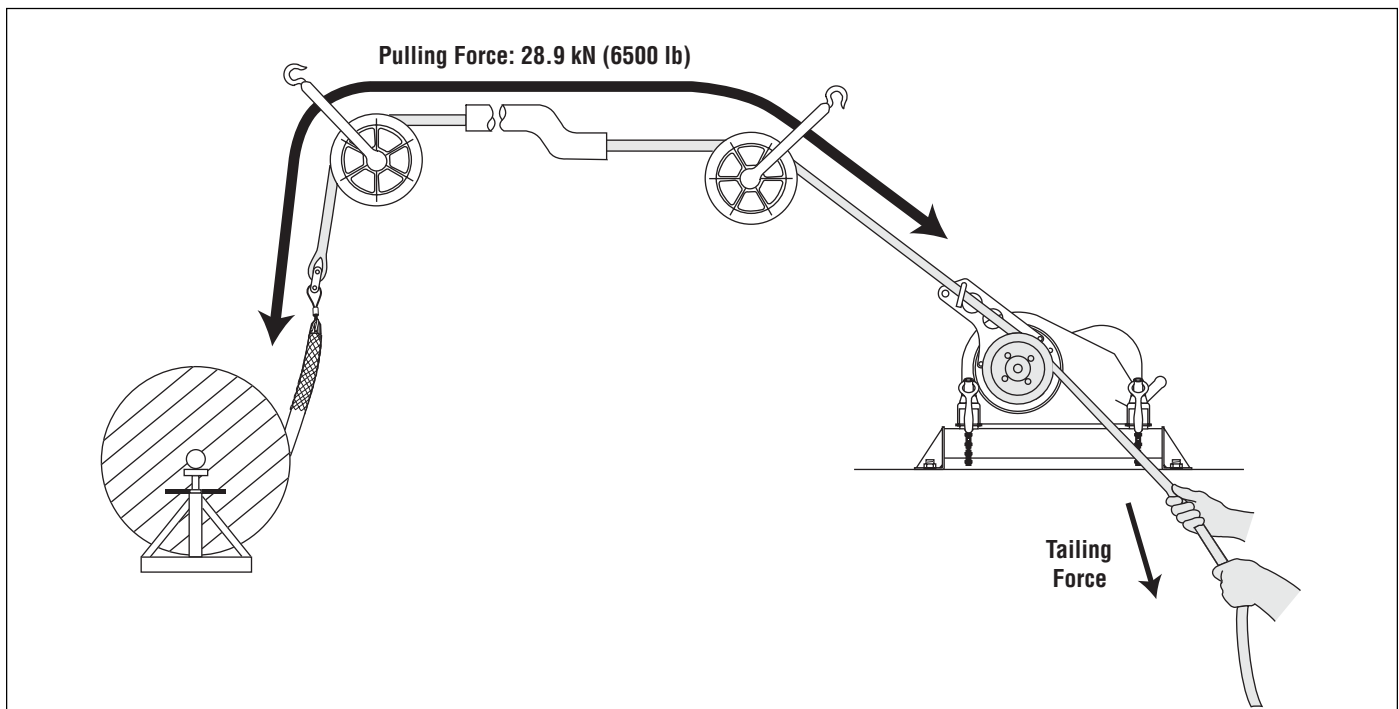
* The average value for the coefficient of friction when double-braided composite rope is pulled over a clean dry capstan is 0.125.

The following table is based on the formula above. The input, or tailing force, is constant at 44.5 Newtons (10 lb). Increasing the number of wraps increases the pulling force.

Operator's Tailing Force	Number of Wraps of Rope	Approximate Pulling Force
44.5 N (10 lb)	1	93.4 N (21 lb)
	2	213.5 N (48 lb)
	3	474.9 N (106 lb)
	4	1043.8 N (233 lb)
	5	2293.7 N (512 lb)
	6	5048.9 N (1127 lb)
	7	11.1 kN (2478 lb)

This table shows how the capstan acts as a force multiplier. Because the coefficient of friction depends upon the condition of the rope and capstan, this formula cannot determine an exact amount of pulling force.

The Capstan as a Force Multiplier



Cable Pulling Principles (cont'd)

Cable Pulling Forces (cont'd)

At the Pulling Rope

The product of a force (f) moving through a distance (d) is energy (f x d), and may be measured in Newton-meters or foot-pounds. Energy is stored in a rope when the rope is stretched. This is similar to the way energy is stored in a rubber band when it is stretched. Failure of the rope or any other component of the pulling system can cause a sudden uncontrolled release of the energy stored in the rope.

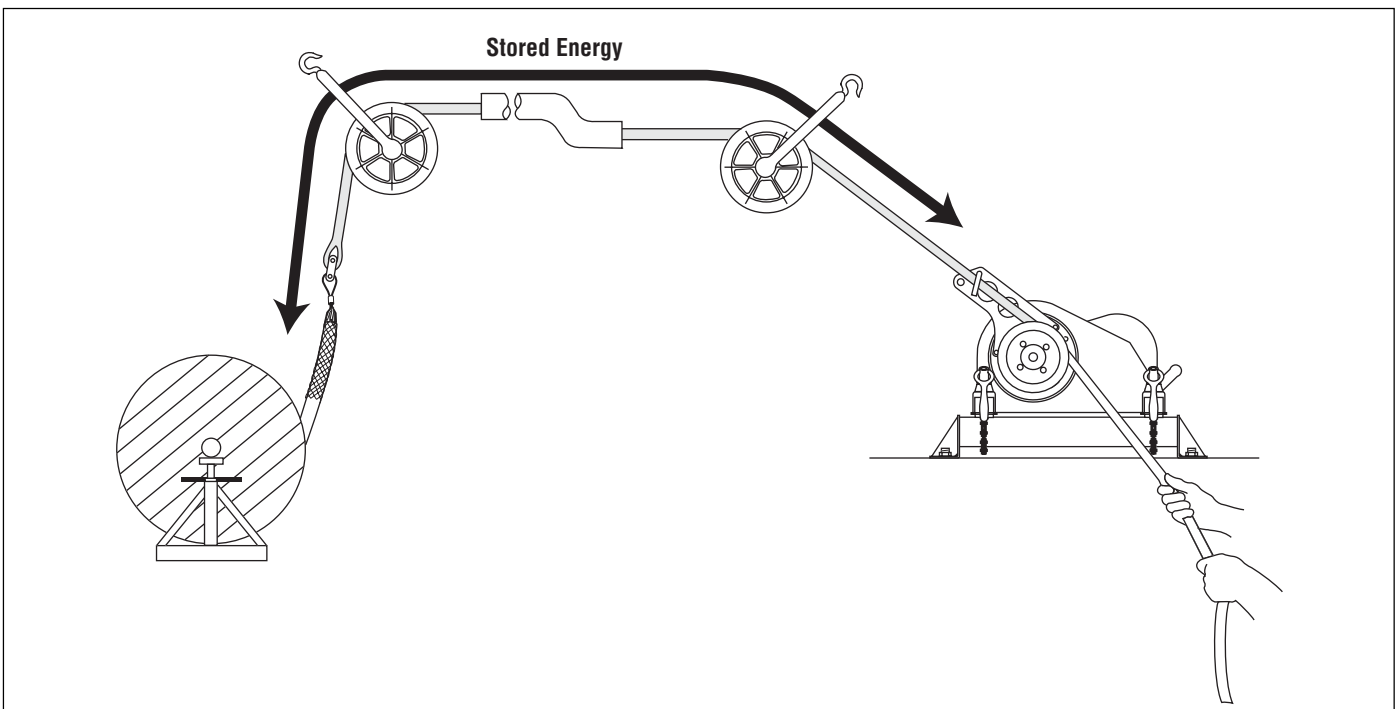
For example, a 100-meter nylon rope with a 50,000 Newton average breaking strength could stretch 40 meters and store 1,000,000 joules of energy. This is enough energy to throw a 900-kilogram object, such as a small automobile, 113 meters into the air.

A similar double-braided composite rope could store approximately 300,000 joules of energy. This could throw the same object only 34 meters into the air.

The double-braided composite rope stores much less energy and has much less potential for injury if it were to break.

Double-braided composite rope is the only type of rope recommended for use with the Super Tugger cable puller. Select a double-braided composite rope with an average rated breaking strength of at least 115.6 kN (26,000 lb).

Stored Energy



Cable Pulling Principles (cont'd)

Cable Pulling Forces (cont'd)

At the Connectors

The connectors will be subjected to the cable puller's maximum pulling force.

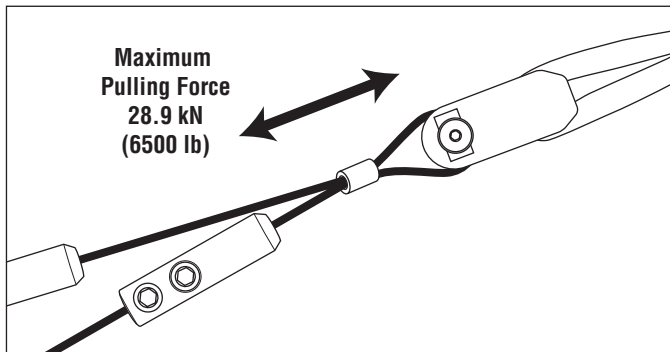
Several types of rope connectors—clevises, swivels, and rope-to-swivel connectors—are available. Follow the instructions provided with each to provide a good connection.

Two types of wire connectors—wire grips and pulling grips—are available. The wire grip uses a set screw to clamp onto the conductors of the cable. The pulling grip consists of a wire mesh basket that slides over the cable and grips the insulation.

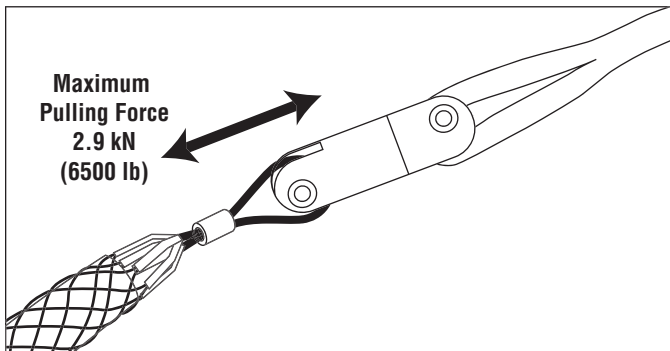
When selecting a pulling grip, it is extremely important to select a grip of the correct (1) type, (2) size, and (3) maximum rated capacity.

1. Select the correct type based on the descriptions of each type in the Greenlee catalog.
2. Measure the circumference of the wire bundle. (To do this accurately, fasten a tie strap around the bundle. Cut off and discard the tail. Then cut the tie strap and measure its length.) Use the table provided to find the correct size.
3. See the maximum rated capacities in the Greenlee catalog.

A Typical Grip Setup—Clevis and Wire Grip



A Typical Grip Setup—Swivel and Pulling Grip



Pulling Grip Size Table

Circumference Range		Required Grip Diameter	
inches	mm	inches	mm
1.57 - 1.95	39.9 - 49.5	0.50 - 0.61	12.7 - 15.5
1.95 - 2.36	49.5 - 59.9	0.62 - 0.74	15.8 - 18.8
2.36 - 3.14	59.9 - 79.8	0.75 - 0.99	19.1 - 25.1
3.14 - 3.93	79.8 - 99.8	1.00 - 1.24	25.4 - 31.5
3.93 - 4.71	99.8 - 119.6	1.25 - 1.49	31.8 - 37.8
4.71 - 5.50	119.6 - 139.7	1.50 - 1.74	38.1 - 44.2
5.50 - 6.28	139.7 - 159.5	1.75 - 1.99	44.5 - 50.5
6.28 - 7.85	159.5 - 199.4	2.00 - 2.49	50.8 - 63.2
7.85 - 9.42	199.4 - 239.3	2.50 - 2.99	63.5 - 75.9
9.42 - 11.00	239.3 - 279.4	3.00 - 3.49	76.2 - 88.6
11.00 - 12.57	279.4 - 319.3	3.50 - 3.99	88.9 - 101.3
12.57 - 14.14	319.3 - 359.2	4.00 - 4.49	101.6 - 114.0
14.14 - 15.71	359.2 - 399.0	4.50 - 4.99	114.3 - 126.7

Cable Pulling Principles (cont'd)

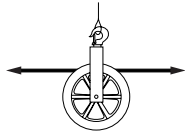
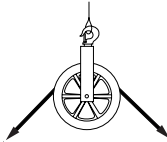
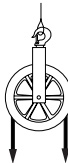
Cable Pulling Forces (cont'd)

At the Sheaves

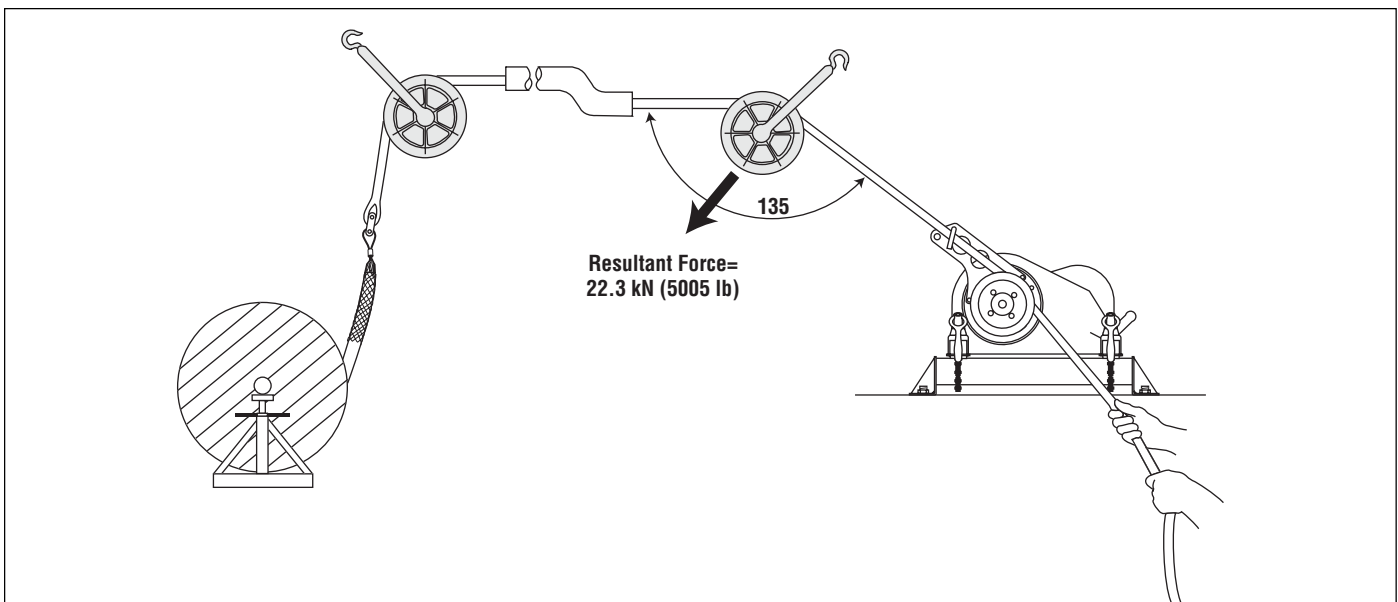
Sheaves are used to change the direction of the pull. A change in direction creates a new *resultant force* that is *greater than* the cable puller's maximum pulling force. This new resultant force exerts itself on the sheaves, sheave anchoring system, and support structures illustrated.

The resultant amount of force depends on the angle of the change in direction. A brief table is provided here; for more details, see IM 1363 (999 2998.8).

**Resultant Force Table for the Super Tugger®
(28.9 kN or 6500 Lb Maximum Pulling Force)**

Illustration	Angle of Change in Direction	R
	180°	0 (0)
	150°	15 (3380)
	135°	22.3 (5005)
	120°	28.9 (6500)
	90°	40.8 (9165)
	60°	50.0 (11,245)
	45°	53.5 (12,025)
	30°	55.8 (12,545)
	0°	57.8 (13,000)

Typical Resultant Force at Sheave



Cable Pulling Principles (cont'd)

Tailing the Rope

The rope must be pulled off of the capstan as the pull progresses. The rope that has left the capstan is the “tail”. The process of pulling the rope off of the capstan is called *tailing the rope*.

The resistance of the cable varies throughout the duration of the cable pull. Changes in resistance are due to characteristics of the rope, changes in conduit direction, and changes in the amount of friction. The “feel” of the rope provides this information about the pull. This is called *tactile feedback*. Adjust the tailing force as necessary to compensate for these changes.

Control of the Pull

Decreasing the tailing force will decrease the pulling force, until the rope slips on the capstan and the pull stops. This provides a high level of control over the progress of the cable pull.

Do not allow the rope to slip on the capstan for more than a few moments. If it becomes necessary to completely stop a pull, shut off the puller and maintain enough tailing force to hold cable in place. Tie the rope off to hold it in place.

Amount of Tailing Force

While the rope and cable are under tension, it is important to maintain the proper amount of tailing force.

Too little tailing force will allow the rope to slip on the capstan. This will build up excessive heat and accelerate rope wear, increasing the possibility of breaking the rope.

The proper amount of tailing force will stop the rope from slipping on the capstan and produce a sufficient amount of pulling force to pull in the rope and cable.

Too much tailing force is any amount more than is necessary to stop the rope from slipping on the capstan. Excessive tailing force will not increase the pulling force or pulling speed.

Number of Wraps of Rope Around the Capstan

An experienced operator should choose the number of times the rope is wrapped around the capstan.

The proper number of wraps allows the operator to control the progress of the pull with a comfortable amount of effort.

Using *too few* wraps requires a large tailing force to accomplish the pull. Using too few wraps also makes the rope more likely to slip on the capstan. This builds up heat and accelerates rope wear.

Using *too many* wraps causes the rope to grab the capstan more tightly. This accelerates rope wear, wastes power, and increases the possibility of a rope overlap. Using too many wraps also reduces tactile feedback, so you receive less information about the pull. You cannot quickly relax the tailing force when there are too many wraps.

If the rope becomes difficult to tail, add another wrap of rope. Turn off the puller and release all of the tension in the rope. Add a wrap and resume pulling. Be aware, however, that some pulls will require tension to hold the cables in place. In these cases, do not attempt to release all of the tension and add a wrap of rope. You will need to anticipate the number of wraps before starting the pull.

Preventing Rope Overlap

Do not allow the rope to become overlapped on the capstan during a pull.

A rope overlap will make it impossible to continue or back out of the pull.

If the rope becomes overlapped, you will lose control of the pull—the rope will advance with no tailing force and will not feed off of the capstan. The capstan will not allow you to reverse the direction of the rope, so you cannot back out of an overlap.

Set up the puller properly. The positioning peg, entrapment peg, rope ramp and tapered capstan are intended to prevent rope overlap. See the instructions in the Operation section of this manual.

Every wrap of the rope must remain in direct contact with the capstan. During the pull, take great care to prevent the incoming rope from riding up and overlapping the next wrap. If an overlap begins to develop, immediately relax the tailing force on the rope so that the rope can feed back toward the conduit or tray.

When the rope resumes its normal path, apply tailing force and continue the pull.

There is no suggested remedy for a rope overlap.
Do not allow the rope to overlap!

Cable Pulling Principles (cont'd)

Summary of Cable Pulling Principles

- A cable pulling system consists of many components that work together to accomplish a pull.
- The cable puller is rated by its maximum pulling force; every other component is rated by its maximum rated capacity. The maximum rated capacity of every component must meet or exceed the maximum pulling force of the cable puller.
- The cable puller must overcome two types of resistance: gravity and friction. The puller's capstan, the pulling rope, and the operator tailing the rope work together to produce pulling force.
- The cable puller exerts force on every component of the cable pulling system, including the anchoring systems and the support structures.
- Energy is stored in a rope when the load causes the rope to stretch. Failure of the rope or any other component can cause a sudden release of energy. Replace any rope that is worn or damaged.
- Carefully select the number or wraps of rope around the capstan before starting the pull.
- Control the pull by tailing the rope. Be familiar with the interaction of the rope and capstan.
- Do not allow a rope overlap to develop.

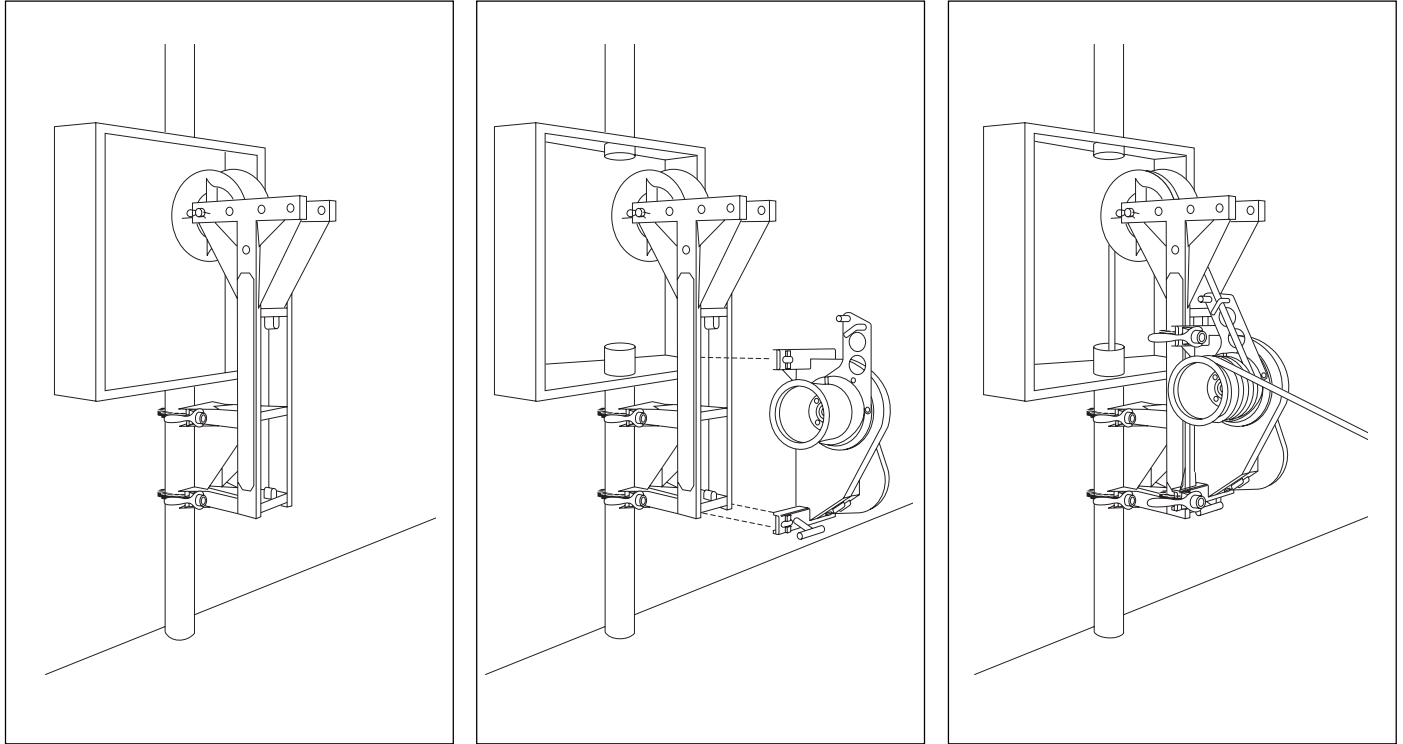
Planning The Pull

- Pull in a direction that will require the lowest amount of pulling force.
- Plan several shorter pulls rather than fewer longer pulls.
- Locate the puller as close to the end of the conduit as possible to minimize the amount of exposed rope under tension.
- Place each component so that the pulling forces are used effectively.
- Select an anchoring system: adapter sheaves, which are preferred, or the floor mount.
- Verify that each component has the proper load rating.
- Inspect the structural supports. Verify that they have enough strength to withstand the maximum forces that may be generated.

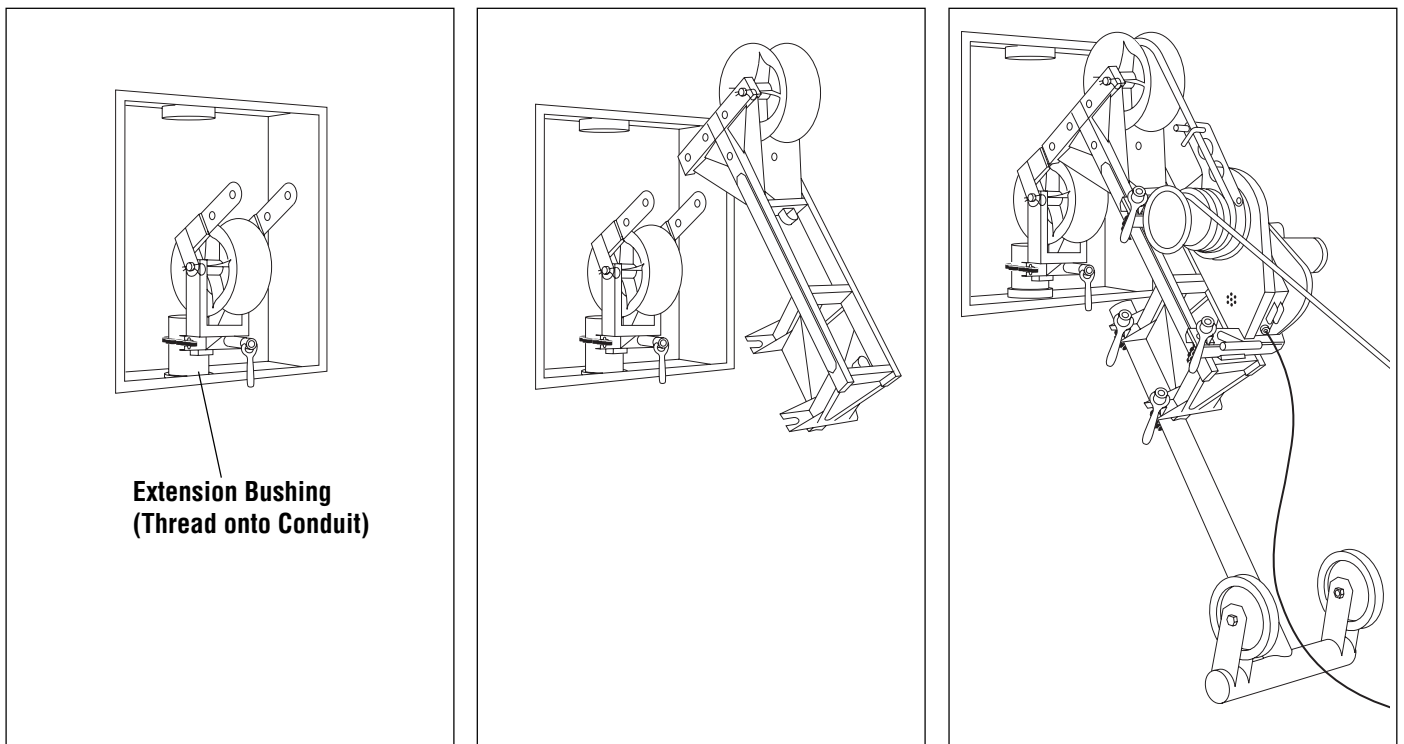
Typical Setups

Setups are shown without force gauge. Place the force gauge so the operator has an unobstructed view of the meter and quick access to its ON/OFF switch.

Using An Adapter Sheave To Pull Through Exposed Conduit



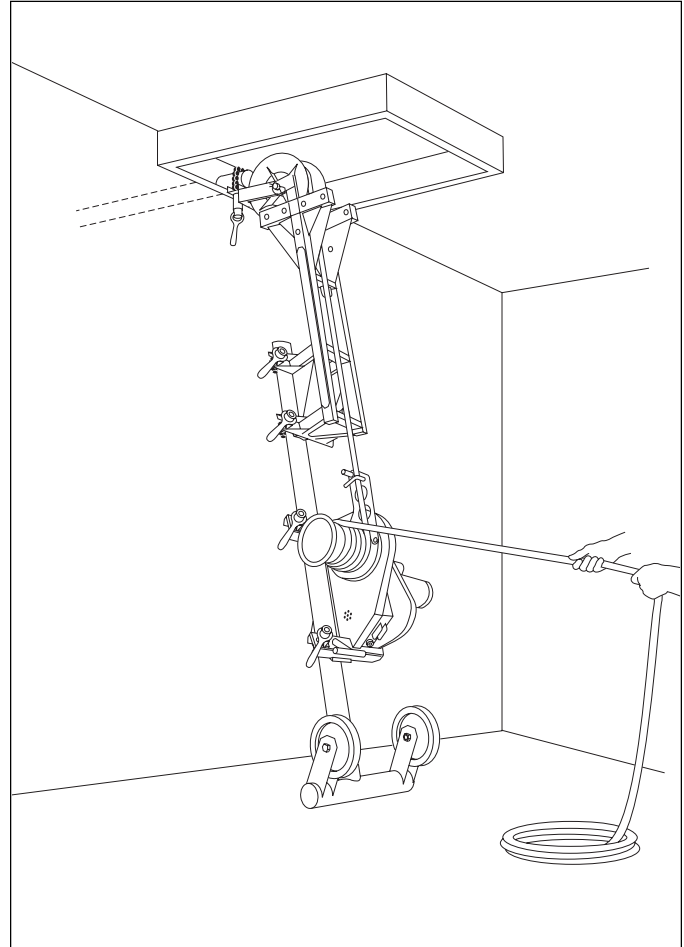
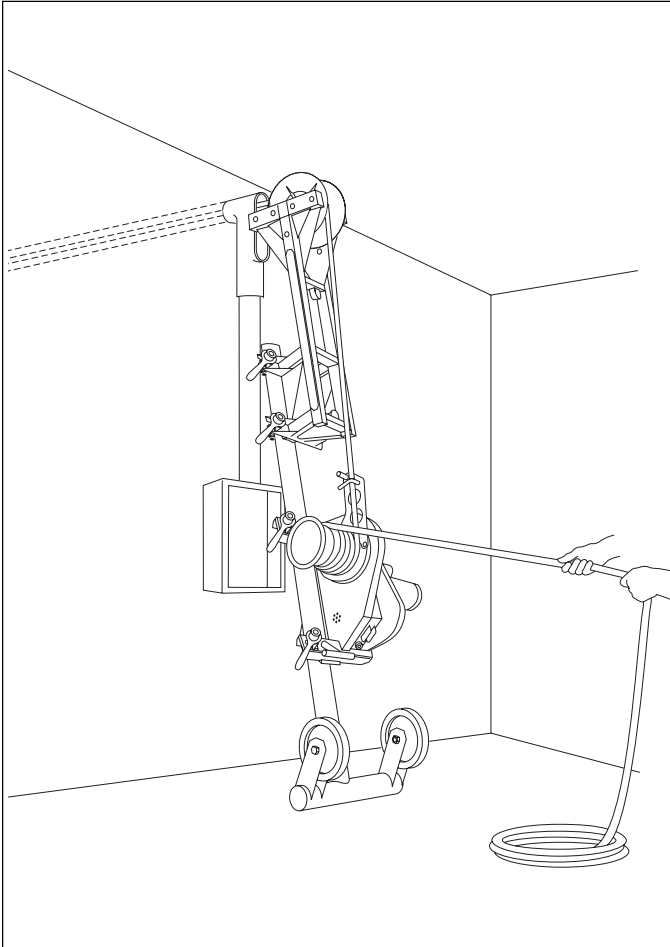
Using an Extension Bushing, Flexible Pipe Adapter, Adapter Sheave, and T-Boom to Pull Through Concealed Conduit



Typical Setups (cont'd)

Setups are shown without force gauge. Place the force gauge so the operator has an unobstructed view of the meter and quick access to its ON/OFF switch.

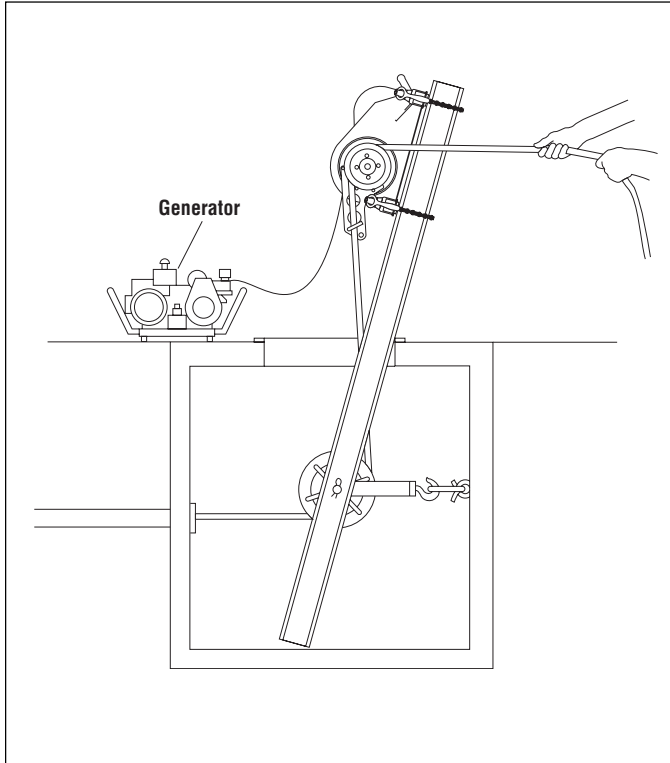
Using A Flexible Pipe Adapter, Adapter Sheave and T-Boom For Overhead Pulls



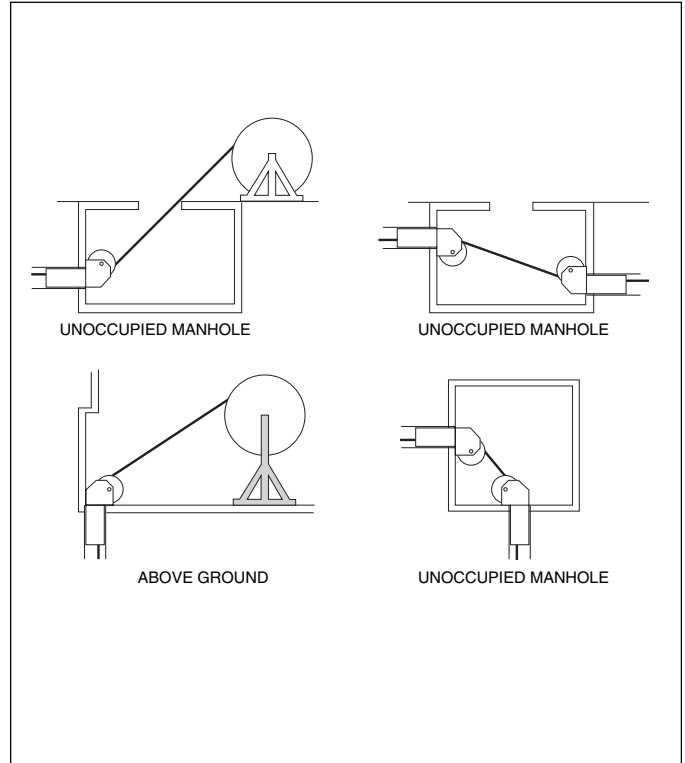
Typical Setups (cont'd)

Setups are shown without force gauge. Place the force gauge so the operator has an unobstructed view of the meter and quick access to its ON/OFF switch.

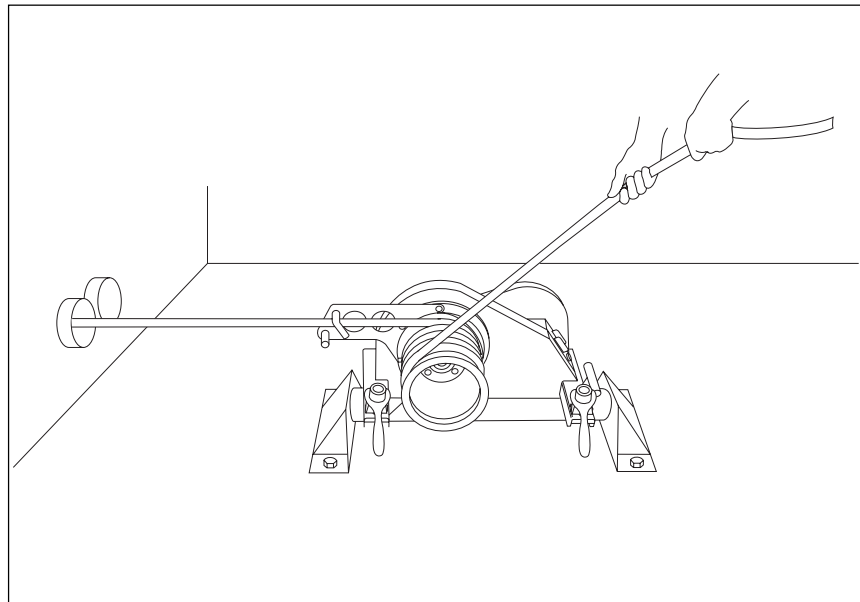
Using a Manhole Sheave



Using Feeding Sheaves in Manholes



Using a Floor Mount



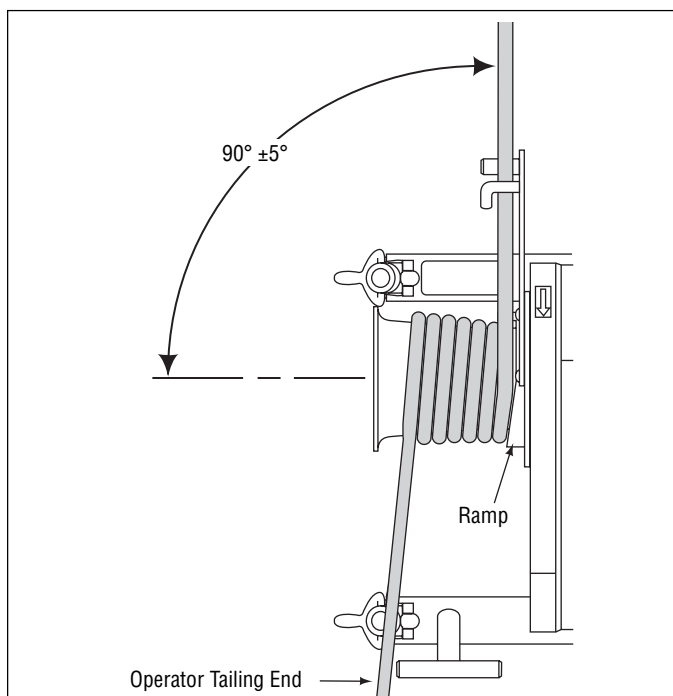
Setup and Operation

While reading through this section of the manual, look for components that are shaded in the illustrations. The shading indicates components that are associated with the accompanying text.

1. Fish the rope through the conduit.
2. Set up the cable puller mounting. Set it up so that the rope will approach the capstan at an angle of $90^\circ (\pm 5^\circ)$ as illustrated in Rope Approaching the Capstan.

Note: If using an adapter sheave, flexible pipe adapter, or mobile T-boom, see the illustrations in this manual. If using a manhole sheave or floor mount, see the instructions supplied with those items.

Rope Approaching the Capstan



⚠ WARNING

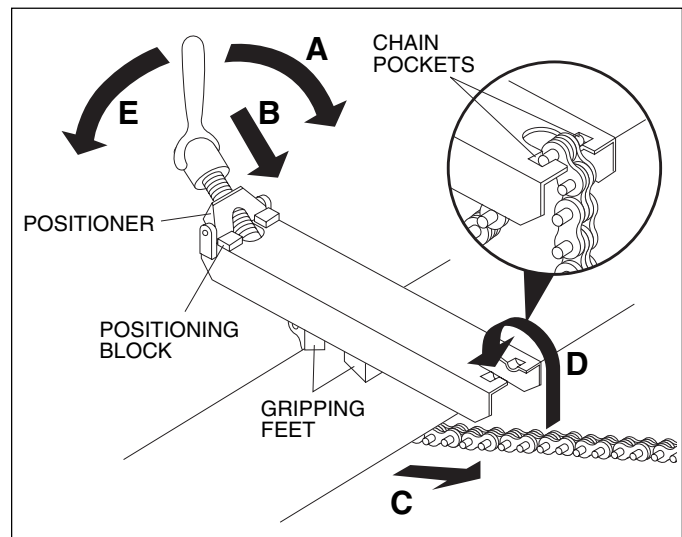
Install the vise chains properly.

- Follow the vise chain tightening instructions carefully. Improperly tightened chains can allow the puller to slide or break loose and strike nearby personnel.
- Do not allow the vise chains to bind at the corners when mounting the puller to a square or rectangular support. The vise chain must be uniformly tight at all points.

Failure to observe this warning can result in severe injury or death.

3. Install the vise chains as shown.

Vise Chain Installation

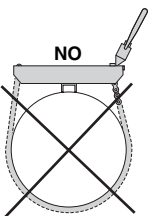
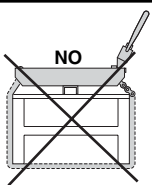


- a. Rotate the vise chain handle to expose most of the threads. Leave only three or four threads engaged in the handle.
- b. Thread the chain through the hole in the frame. Set the positioner against the positioning blocks.
- c. Wrap the chain around the conduit, pipe sheave adapter, or structural element.
- d. Pull the vise chain tight and insert the chain pins into the chain pockets, or recesses.
- e. Turn the handle to slightly tighten the chain.
- f. Repeat Steps A - E for the other chain.

4. Rotate the vise chain handles, by hand, clockwise to fully tighten the chain. Do not use tools, extensions or "cheaters".

⚠ WARNING

When setting up the flexible pipe adapter or puller, do not use the vise chains on a structural support that is less than 51 mm (2") or more than 254 mm (10") wide. An oversized or undersized structural support can allow the puller to slide or break loose and strike nearby personnel with sufficient force to cause severe injury or death.

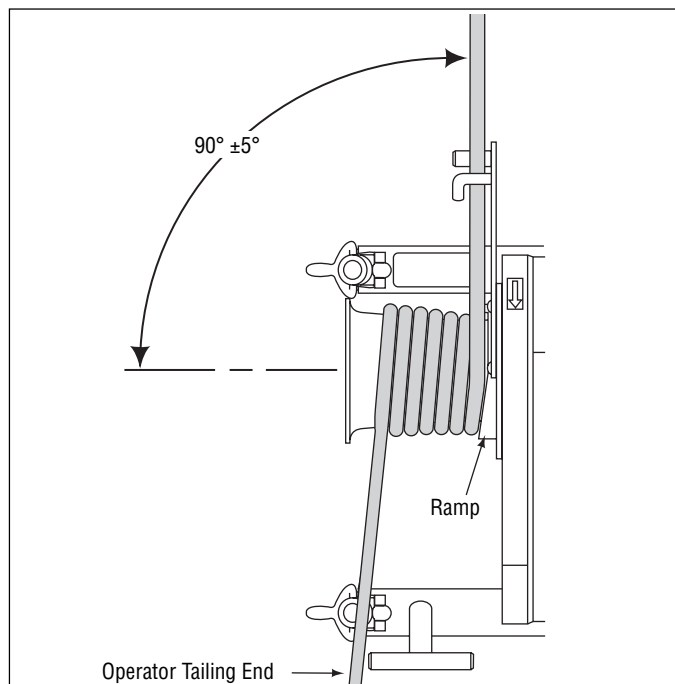


Setup and Operation (cont'd)

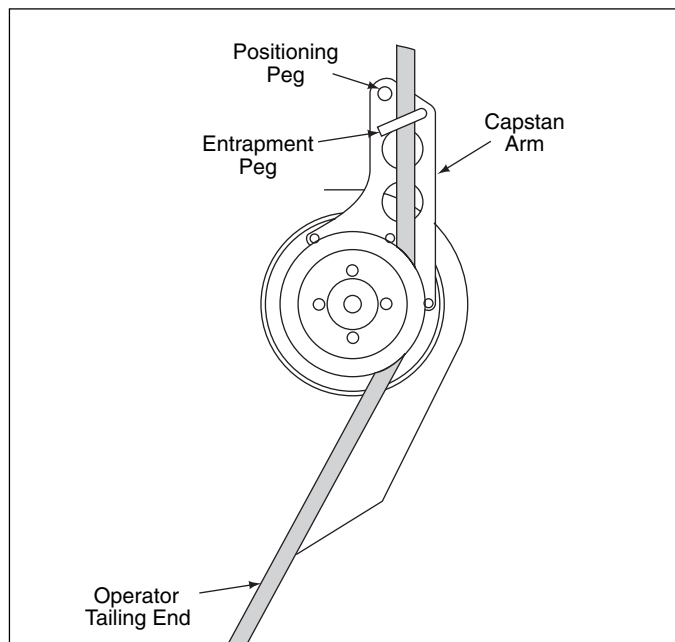
- Align the rope ramp and route the rope as illustrated in Rope Path, Top View and Rope Path, Side View.

Note: Use every component of the rope path—the positioning peg, entrapment peg, rope ramp and tapered capstan—as shown to help prevent rope overlap.

Rope Path, Top View



Rope Path, Side View



- Check the ON/OFF switch on the puller to be sure it is OFF. Plug the puller into the receptacle of the standard force gauge. Plug the force gauge into an appropriate power supply (see Grounding Instructions in this manual).

Note: If using an extension cord, it must be rated for 15 amps. Use the shortest cord possible. Longer cords reduce puller speed.

- Position the force gauge so that it can be monitored by the puller operator.

Duty Cycle Table

Color Band on Meter	Pounds of Pulling Force	Duty Cycle (in minutes)
Green	0-5000	continuous
Yellow	5000 - 5500	15 on / 15 off
Yellow	5500 - 6500	5 on / 15 off
Red	over 6500	puller will stop

- Grasp the tailing end of the rope. Apply a slight amount of tailing force.
- Turn the puller ON.
- Tail the rope, allowing the spent rope to accumulate on the floor between the operator and the puller.

Note: The capstan arm is intended to pivot. Do not attempt to stop the arm from pivoting.
- When the pull is complete, turn the puller OFF. Tie off the rope to the T-shaped cleat and anchor the cable.

Removing Cable

Removing old cable involves the same principles as installing new cable. However, there are some important differences.

Pulling Force

It is difficult to predict the amount of pulling force necessary to remove an old cable. The cable may be damaged, and it may break with an unexpectedly low pulling force.

The required pulling forces may be very high:

- The cable has probably “taken a set”. Unlike the new cable on a reel, cable in conduit has probably been in the conduit for years, or perhaps decades. The cable will resist bending and straightening as it is pulled through the conduit.
- The pulling lubricant has probably hardened, increasing pulling resistance.
- The insulation may be damaged and the cable may be corroded.
- Dirt or other foreign matter may have entered the conduit and may have cemented the cable in place.

Using a Force Gauge

When pulling old cable out of a conduit, the pulling force will be highest when *starting* the pull. Select a cable puller and pulling components to meet or exceed the estimated amount of pulling force necessary to remove the old cable. Because breaking the cable free will require the largest amount of pulling force, it is necessary to use a force gauge to prevent overloading the system components. For the 120-volt Super Tugger, use the 31465 Force Gauge. For the 220-volt Super Tugger, use the 31470 Force Gauge.

Carefully monitor the pulling force at the force gauge; if the puller is not able to begin the pull, shut off the puller and disassemble the setup. Start over with a puller and components of a higher force rating.

Puller Placement

Pulling out old cable is generally accomplished with the puller located some distance away from the end of the conduit. This allows the pulling crew to pull out a long section of cable before turning off the puller, cutting off the cable, and reattaching the grip(s). Mounting the cable puller a distance away from the end of the conduit increases the amount of exposed rope, which greatly increases the amount of violent whipping action which would occur if the rope or other components were to break.

To isolate the operator from the rope path:

- Locate the puller so that you will stand behind an obstruction, such as a wall. Set up the puller so that you will be able to maintain control of the pull. You need a clear view of the rope as it feeds onto the capstan, including several feet of the rope in front of the capstan. You must be able to turn off the puller before the pulling grip, connector, or swivel contacts the capstan.
- Use an additional pulling sheave to change the direction of the tailing rope. Anchor the sheaves so that you are close enough to maintain control of the pull. You need a clear view of the rope as it feeds onto the capstan, including several feet of the rope in front of the capstan. You must be able to turn off the puller before the pulling grip, connector, or swivel contacts the capstan.

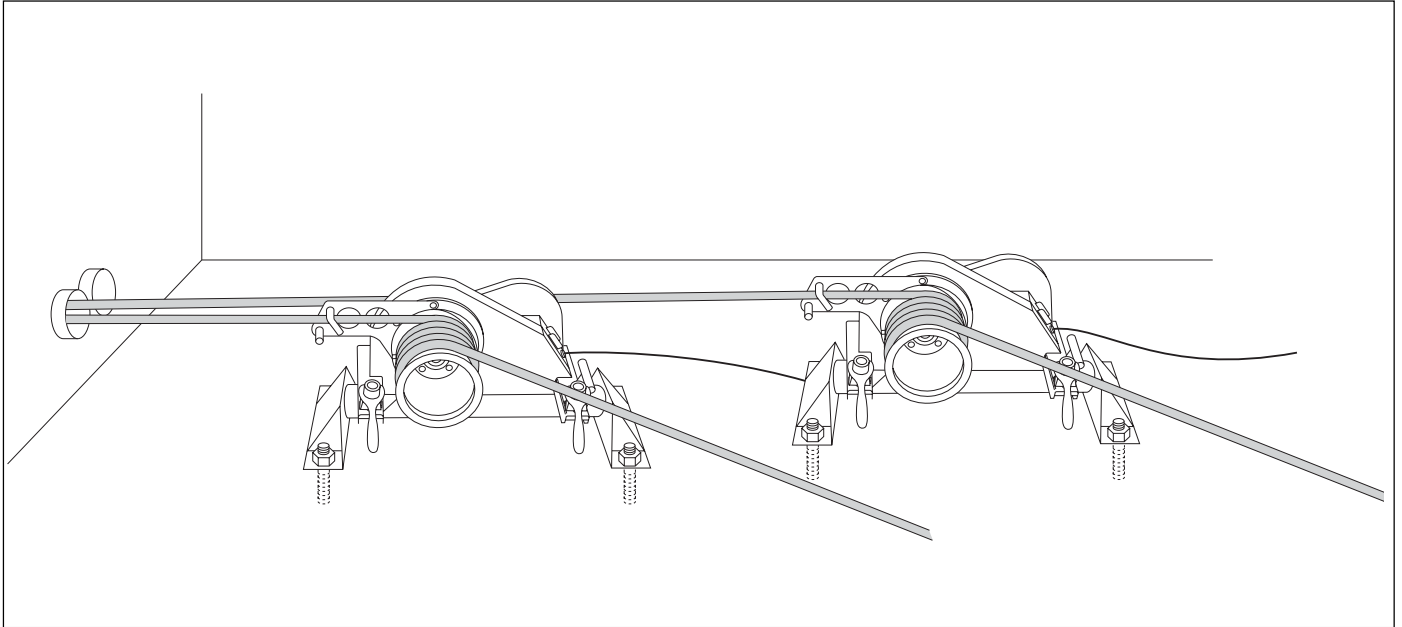
Note: Use the additional pulling sheave to change the direction of the tailing rope (after the rope leaves the capstan). Do not change the direction of the pulling rope.

- Use a longer tailing rope than usual and stand away from the puller. Stand as far from the puller as possible, while maintaining control of the pull. You need a clear view of the rope as it feeds onto the capstan, including several feet of the rope in front of the capstan. You must be able to turn off the puller before the pulling grip, connector, or swivel contacts the capstan.

Dual Pulling

When the estimated amount of pulling resistance exceeds the ability of the puller, two pullers may be used to accomplish the pull. Connect the two pullers to the cables in parallel—use two sets of ropes, grips, and other accessories to avoid overloading any component of the pulling system.

Dual Pulling



Maintenance

Read all instructions thoroughly. Be sure that you understand all of the instructions and have the necessary tools available before dismantling the puller.


Service Activity	Schedule
Lubricate the drive chains.	every 20 hours
Grease the drive chain shafts.	every 20 hours
Inspect the chains and ratchet pawl.	every 40 hours
Inspect the commutator brushes.	every 40 hours

Lubricating the Drive Chains (every 20 hours)

1. Remove the right outer guard (71) and left outer guard (4).
2. Lubricate the inside of the chains with 80W-90W gear oil.
3. Replace the guards and screws.

Greasing the Drivetrain Shafts (every 20 hours)

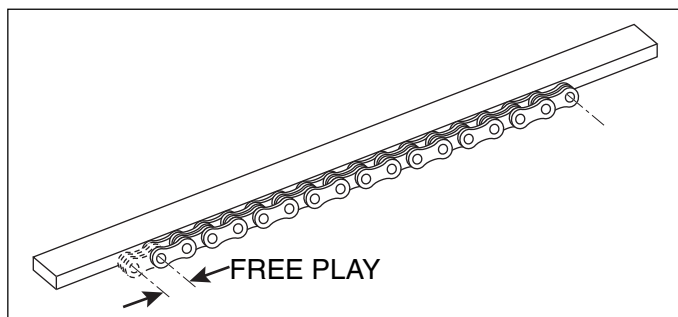
Apply a multipurpose NLGI Grade 2 grease (such as Mobilgrease® HP or Amoco Permalub) at the grease fittings (5 and 52). These fittings are located inside the capstan housing and under the countershaft (47).

	⚠ WARNING
	<p>Electric shock hazard: Disconnect the cable puller from the power supply before servicing. Failure to observe this warning can result in severe injury or death.</p>

Maintenance (cont'd)

Inspecting the Chains and Ratchet Pawl (every 40 hours)

1. Remove the right outer guard (71), left outer guard (4), and right guard (64).
2. Remove the connecting link (66) and #40 chain (65).
3. Remove the capstan retaining screws (2). Remove the lubricating screw (5) and washers (6-9). Remove capstan unit (10-19). Remove connecting link (21) and #60 chain (20).
4. Clean the chains thoroughly with solvent.
5. Lay the chains against a straightedge. Slide on end of the chain back and forth to check free play. See illustration below. If free play is more than 3/8", replace the chain. Replace the chain if any links bind.



6. Lubricate the chains with 80W-90W gear oil.
7. Remove the ratchet pawl (56) and compression spring (57). Apply multipurpose NLGI Grade 2 grease (such as Mobilgrease® HP or Amoco Permalub) to all working surfaces. Replace the spring and pawl.
8. Assemble the #40 chain (65).
Note: Install the clip of the connecting link so that the closed end of the clip faces the direction of chain travel, as shown in the Exploded View.
9. Loosen, but do not remove, the four nuts (54) that secure the motor. Push the motor away from the #40 sprocket (72) to put tension on the chain. Tighten the nuts (54) to 10.8 Newton-meters (8 ft-lb).
10. Assemble in reverse order.
11. Plug the puller in and turn the puller ON. Listen for the clicking noise of the anti-reversing mechanism (ratchet pawl and compression spring). If you do not hear this clicking noise, inspect and repair the puller.

WARNING

Do not operate puller if the anti-reverse mechanism is not working.


Failure to observe this warning can result in severe injury or death.

Inspecting the Commutator Brushes (every 40 hours)

1. Remove two brush caps (121). Remove two brushes (116).
2. Measure the brushes. Replace both brushes if either brush is less than 3/8" long.

Maintenance (cont'd)

Replacing the Frame

	⚠ WARNING
	<p>Electric shock hazard: Disconnect the cable puller from the power supply before servicing. Failure to observe this warning can result in severe injury or death.</p>


Replace the frame if appears damaged. During disassembly, inspect each part. Replace any worn, damaged, or missing parts with Greenlee replacement parts. Replace the needle bearings (74 and 75) regardless of their appearance.

1. Remove the left outer guard (4). Remove the lubricating screw (5), washers (6-9), and capstan unit (10-19).
2. Remove the #60 chain (20). Remove the sprocket (22), washers (23), and guard (24).
3. Remove the right outer guard (71). Remove the #40 chain.
4. Remove the retaining ring (69), #60 sprocket (47), and all items located on the sprocket (48-52, 67 and 69-75). Discard the needle bearings (74 and 75).
5. Remove cap screw (37) and all items of the eccentric assembly (38-41).
6. Remove the cap screw (42) and all items of the idler assembly (43-46).
7. Remove the motor, handle, sheave, ratchet pawl and feet.
8. Assemble items to the new frame in reverse order.
Notes: Replace any components that show signs of wear or damage.

When replacing the items of the sprocket (47) assembly, install new needle bearings (74 and 75).

Install the clip of each connecting link so that the closed end of the clip faces the direction of chain travel, as shown in the Exploded View.

Troubleshooting the Electrical Circuit

	⚠ WARNING
	<p>Electric shock hazard: Disconnect the cable puller from the power supply before servicing. Failure to observe this warning can result in severe injury or death.</p>

Use a continuity checker to check the electrical circuit. Lack of continuity in the following procedure indicates that a repair is necessary.

1. Unplug the puller.
2. Set the switch to ON.
3. Place the probes of the continuity checker across the following terminals of the cable puller and force gauge. All of these pairs of terminals should have continuity.

To check the switch: N and O
L and M (220-volt models only)

To check connectors: C and F
D and Q
E and G
R and O
P and I (120-volt models only)
P and M (220-volt models only)

To check the bridge rectifier: F and G
G and H
H and I
I and F

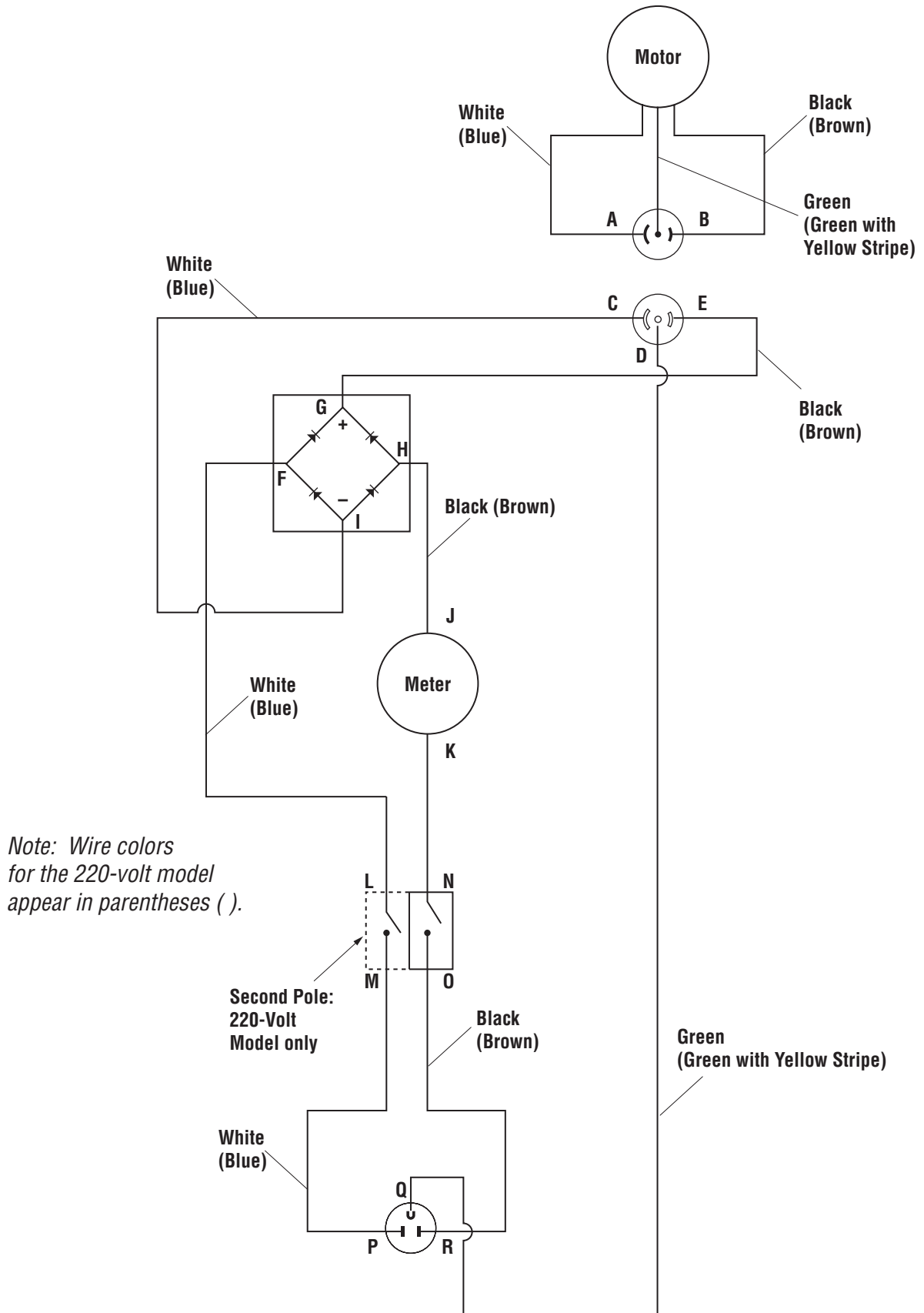
To check the ammeter: J and K

To check the motor: A and B

If the motor fails this check, inspect the motor components (brushes, armature, and wires). Replace any parts that are worn or damaged. Replace both brushes if either brush measures less than 9.5 mm (3/8") long.

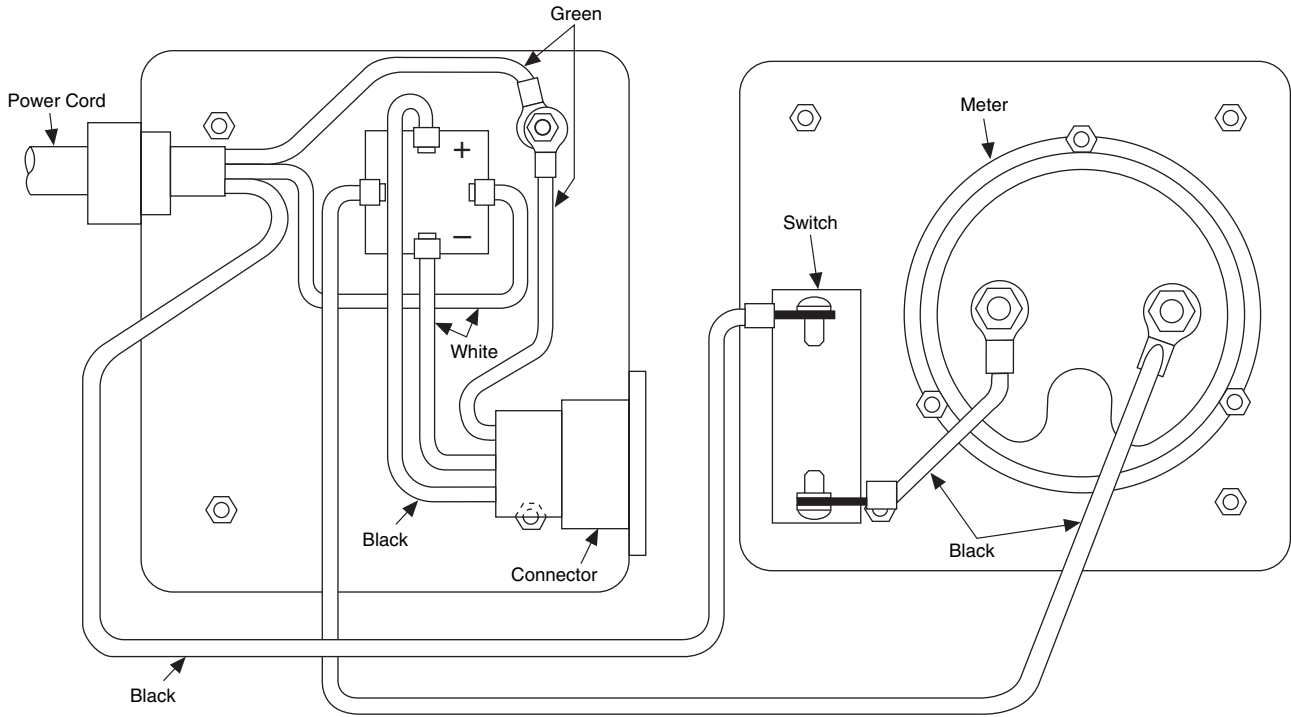
Schematic Diagram

Super Tugger® and Force Gauges

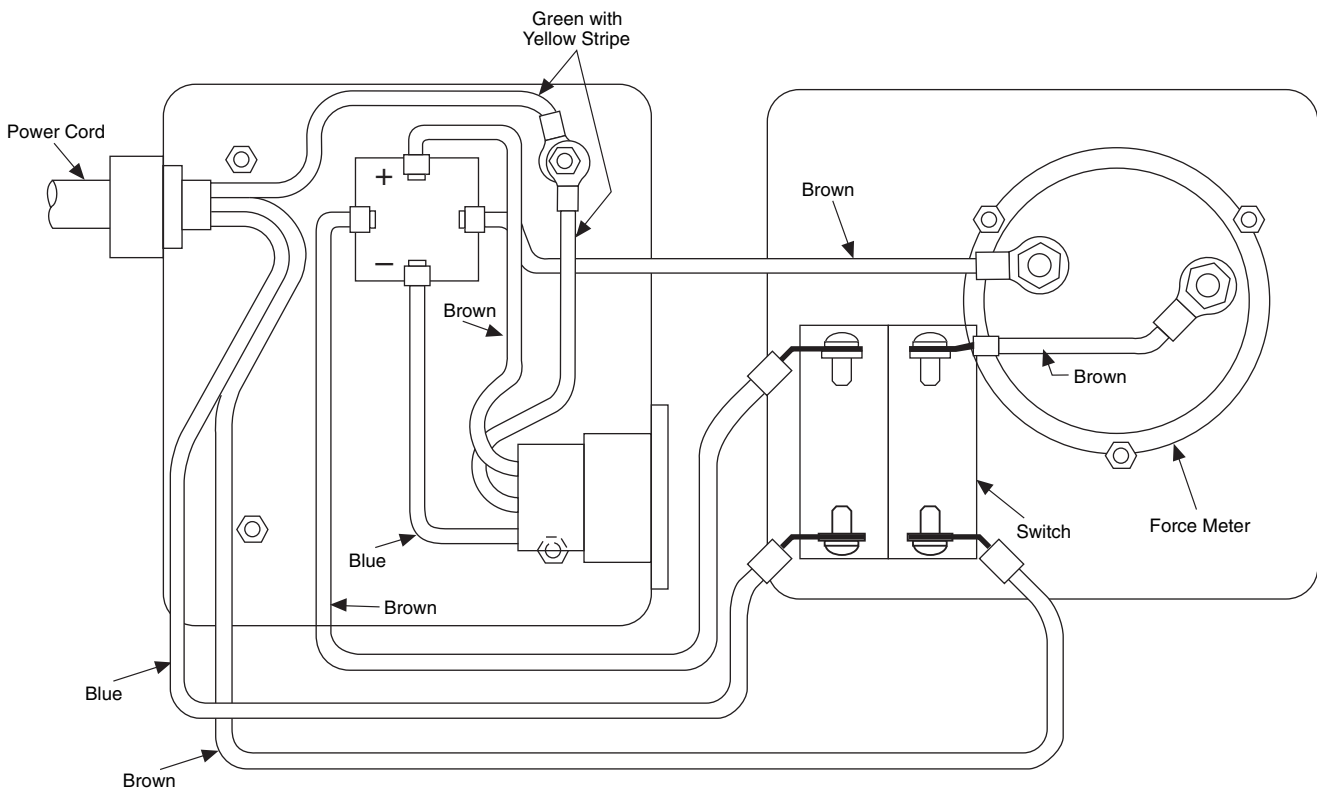


Wiring Layout

503 1465.1 – Control Box Unit (120-Volt)



503 1470.0 – Control Box Unit (220-Volt)

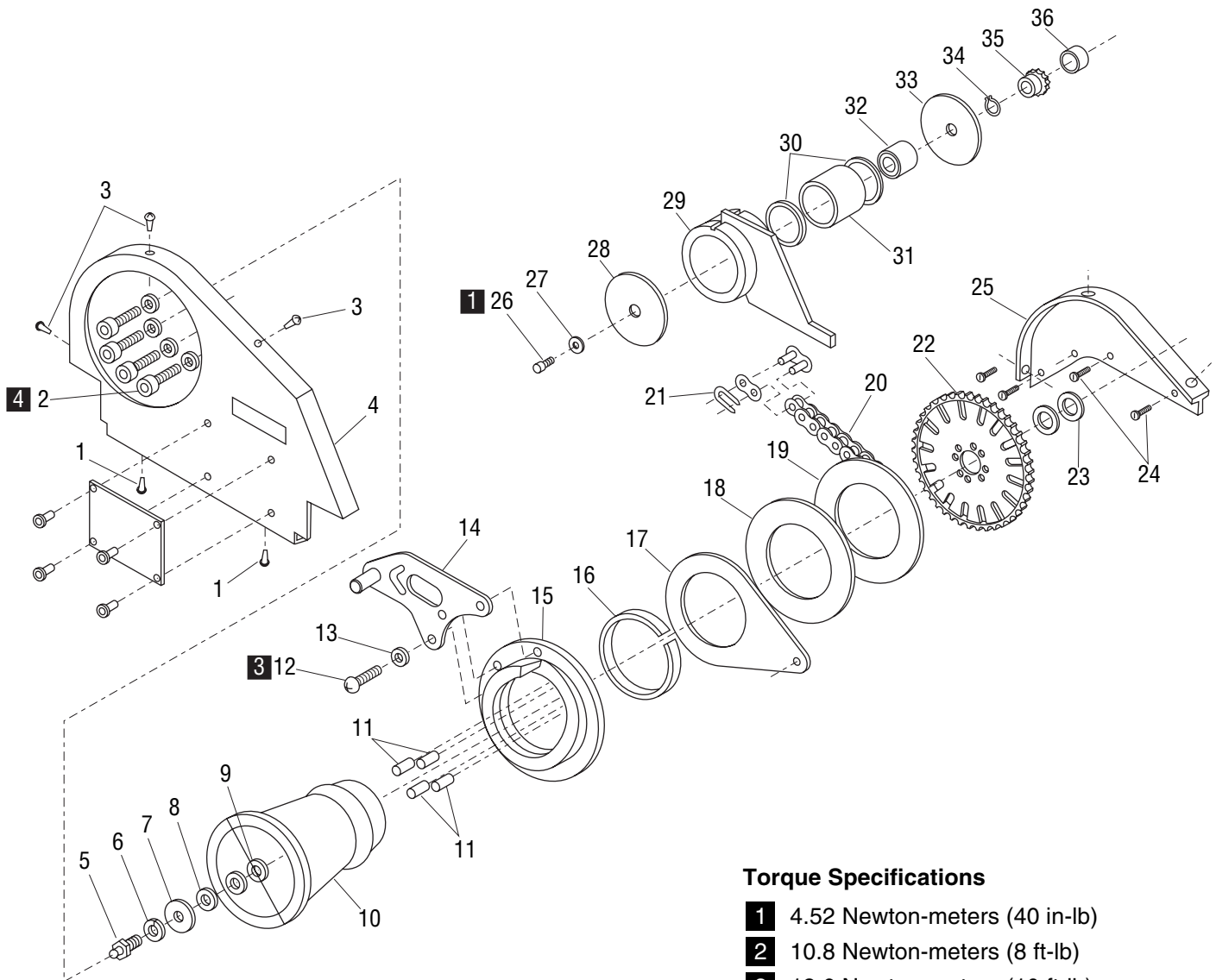


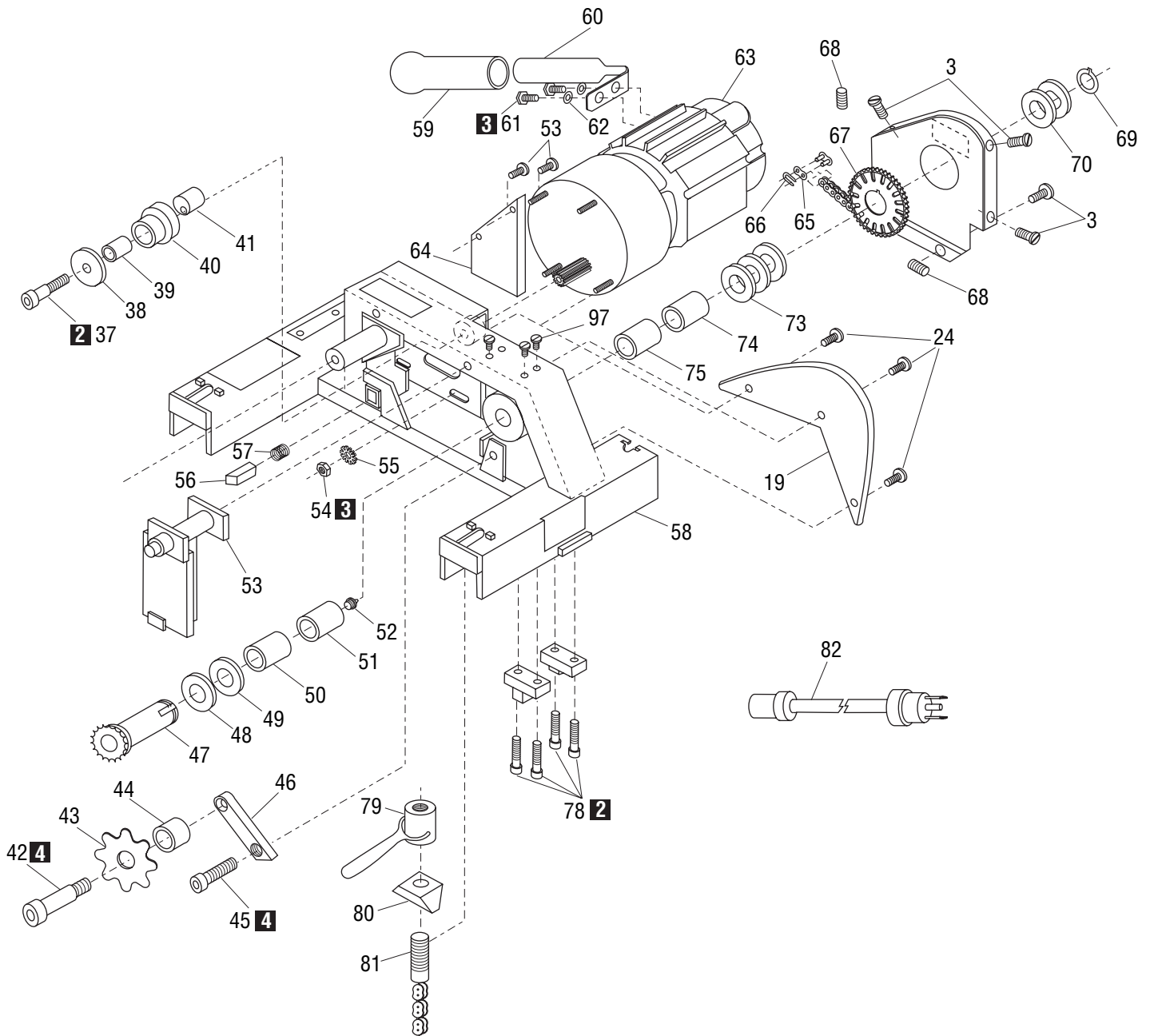
Troubleshooting

Should the puller become inoperative, refer to the troubleshooting table below. While performing any repairs, inspect the motor, capstan, and drivetrain.

Problem	Probable Cause	Probable Remedy
Motor will not run.	<p>No power at supply circuit.</p> <p>Faulty switch or wiring.</p> <p>Motor faulty.</p>	<p>Check power supply with a voltmeter. See the Specifications section of this manual.</p> <p>Check the switch and wiring for continuity.</p> <p>Check the motor and wiring for continuity. Check condition of brushes. Replace any worn or damaged items.</p> <p>Replace motor.</p>
Capstan does not rotate while motor is running.	<p>#60 chain broken.</p> <p>#40 chain broken.</p> <p>Broken sprocket in gearbox or stripped shaft in motor.</p>	<p>Replace #60 chain.</p> <p>Replace #40 chain.</p> <p>Disassemble puller. See disassembly instructions under Inspecting the Chains and Ratchet Pawl. Replace any worn or damaged drive components.</p>

Exploded View



Exploded View (cont'd)


Parts List

Key	Part No.	Description	Qty.
1	90516559	Screw, #10 – 16 X .500 hex washer head.....	2
2	90539222	Screw, cap, 3/8 – 16 X 2.75 socket head.....	4
3	90531949	Screw, self-tap, #10–16 x .250, Phillips head.....	20
4	50301039	Guard, left outer.....	1
5	50255215	Screw unit, lubricating.....	1
6	90516036	Washer, lock, .643 X 1.08 X .156, spring.....	1
7	50299387	Washer, flat, .687 X 2.00 X .125.....	1
8	90526449	Washer, flat .625 X 1.00 X .031..... Det'd. at final assembly	
9	90526457	Washer, flat, .625 X 1.00 X .062..... Det'd. at final assembly	
10	50355422	Capstan unit.....	1
11	90501349	Pin, dowel, .375 X 2.00.....	4
12	90525876	Screw, cap, 5/16 – 18 X .875, socket button head.....	3
13	90516028	Washer, 5/16 lock.....	3
14	50353055	Arm, capstan.....	1
15	50352911	Ramp.....	1
16	50353225	Bearing, ramp.....	1
17	50353187	Plate, anti-rotation.....	1
18	50353101	Washer, flat, 4.80 X 8.00 X .060, thrust, plastic.....	1
19	50353209	Washer, flat, 4.80 X 8.00 X .060, backing, steel.....	1
20	50300954	Chain, roller, #60.....	1
21	90542517	Connecting link for #60 chain.....	1
22	50353616	Sprocket, #60, 40 teeth.....	1
23	50296833	Washer, flat, 1.39 X 2.00 X .125 fiber.....	4
24	90514602	Screw, self-tap, #10 – 32 X .375 Phillips head (120-volt model)..... (220-volt model).....	8 7
25	50296752	Guard, left inner.....	1
26	90502582	Screw, cap, #10 – 32 X .375 socket head.....	1
27	90532821	Washer, flat, .234 X .875 X .062.....	1
28	50299581	Washer, flat, .631 X 2.25 X .093.....	2
29	50299565	Housing weldment, clutch.....	1
30	50302752	Bearing, clutch support.....	2
31	90532708	Clutch, roller.....	1
32	50299611	Race, bearing.....	1
33	50299581	Washer, flat, .631 X 2.25 X .093.....	2
34	90532163	Retaining ring, .625, Truarc #5100-62.....	1
35	50301160	Sprocket, #40, 8 teeth.....	1
36	50316699	Spacer, motor sprocket.....	1
37	90532368	Screw, cap, #10 – 24 X .875 socket head.....	1
38	90533410	Washer, flat, .194 X 1.08 X .062.....	1
39	90532384	Bearing, bronze, .690 X .878 X .500.....	1
40	50301233	Idler, chain.....	1
41	50301217	Adjuster, chain, eccentric.....	1
42	90533194	Screw, shoulder, .500 X .625 X 3/8 – 16.....	1
43	90532228	Sprocket, #60, 8 teeth.....	1
44	90533208	Bearing, bronze, .504 X .627 X .500.....	1
45	90505956	Screw, cap, 3/8 – 16 X .625 socket head.....	1
46	50312510	Bracket, idler.....	1
47	503 0098.9	Sprocket, #60, 8 teeth.....	1
48	502 9669.8	Washer, thrust, 1.12 X 2.00 X .062.....	1
49	502 9684.1	Washer, flat, 1.39 X 2.00 X .031 fiber.....	1

Parts List (cont'd)

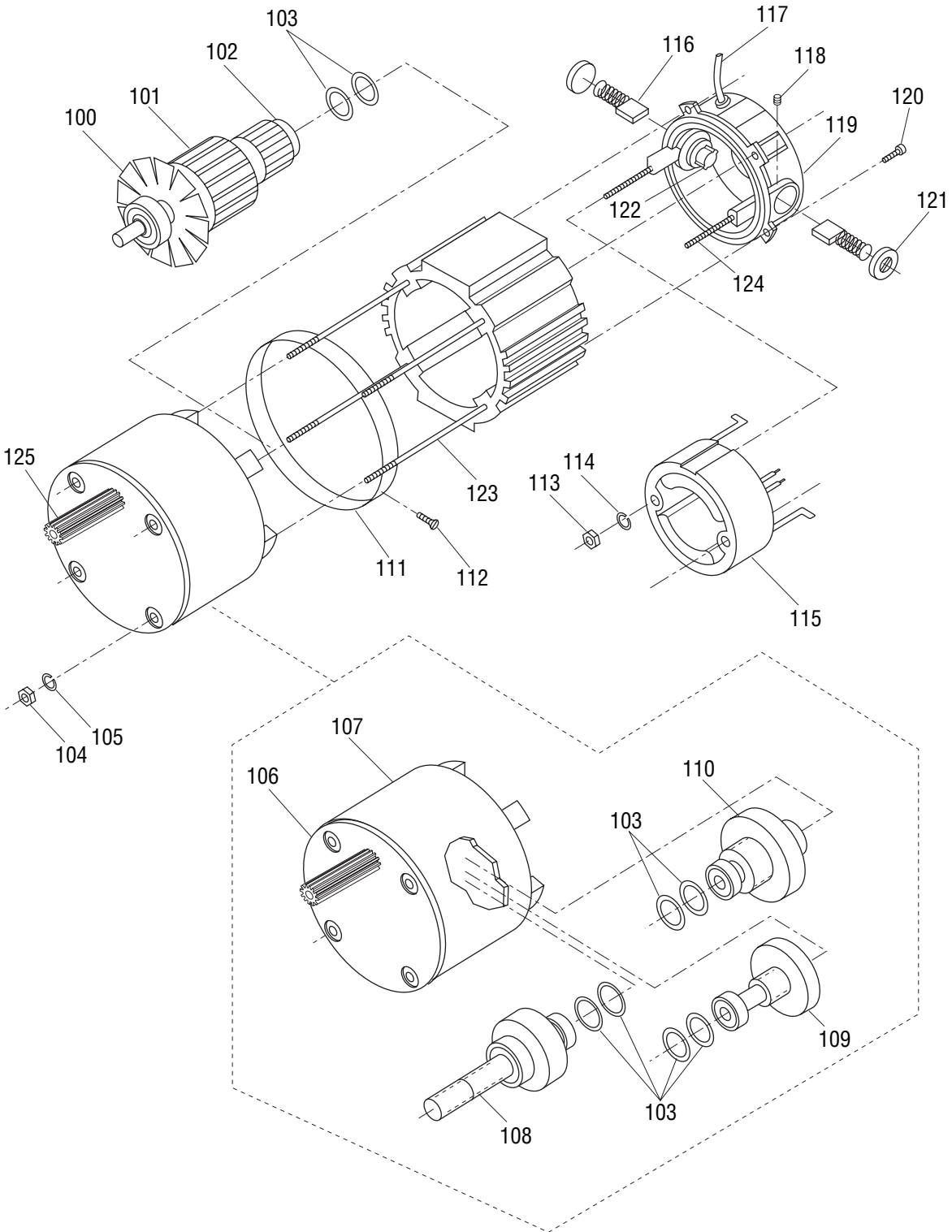
Key	Part No.	Description	Qty.
50	90531973	Inner race (Torrington #IR-182220)	1
51	90531965	Inner race (Torrington #IR-182216)	1
52	90512715	Grease fitting, Amelite #1743-B	1
53	50384104	Support unit, anti-rotation	1
54	90517059	Nut, hex, 1/4 – 28 UNF	4
55	90532406	Washer, lock, .261 X .750 X .035	4
56	50301020	Ratchet pawl	1
57	50163094	Spring, compression, .210 X 3.00 X 1.62	1
58	50301195	Frame unit	1
59	50223003	Grip	1
60	50297929	Handle	1
61	90505204	Screw, cap, 1/4 – 20 X .750 hex head	2
62	90516745	Washer, lock, .259 X .489 X .062, spring	2
63	50316702	Motor, electric, 120-Volt	1
	50314688	Motor, electric, 220-Volt	1
64	50301055	Guard, right	1
65	50301179	Chain, roller, #40	1
66	90527879	Connecting link for #40 chain	1
67	50301250	Key, 1/4" square	1
68	90532104	Screw, set, 3/8 – 24 X .375, cup point socket	2
69	90532317	Retaining ring, 1.125, Truarc #5100-112	1
70	90532325	Washer, shim, 1.125 X 2.00 X .031 steel	2
71	50301071	Guard, right outer	1
72	50301241	Sprocket, #40, 47 teeth	1
73	50296868	Washer, flat, 1.14 X 2.00 X .125 fiber	3
74	90531981	Needle bearing (Torrington #BH-2216)	1
75	90532007	Needle bearing (Torrington #BH-2220)	1
76	50049178	Guard, right inner	1
77	50296647	Foot	4
78	90505794	Screw, cap, 1/4 – 20 X .500 socket head	8
79	50296302	Handle unit, vise chain	2
80	50356607	Positioner unit, chain	2
81	50356615	Vise chain and screw unit, 36"	2
82	50297104	Cord, extension (120-volt model)	1
	50314769	Cord, extension (220-volt model)	1

Decals and Nameplate for the Super Tugger:

50297937	Nameplate (120-volt model)	1
50314750	Nameplate (220-volt model)	1
90521927	Screw, self-tap, #6 x .250, round head (for nameplate)	4
50299360	Decal, capstan rotation	1
50356631	Decal, Read IM (120-volt model)	1
50359878	Decal, Read IM (220-volt model)	1
50357050	Decal, rope path	1
50357069	Decal, mounting	1
50362763	Decal, caution, rope	1

Exploded View

Motor and Gearbox



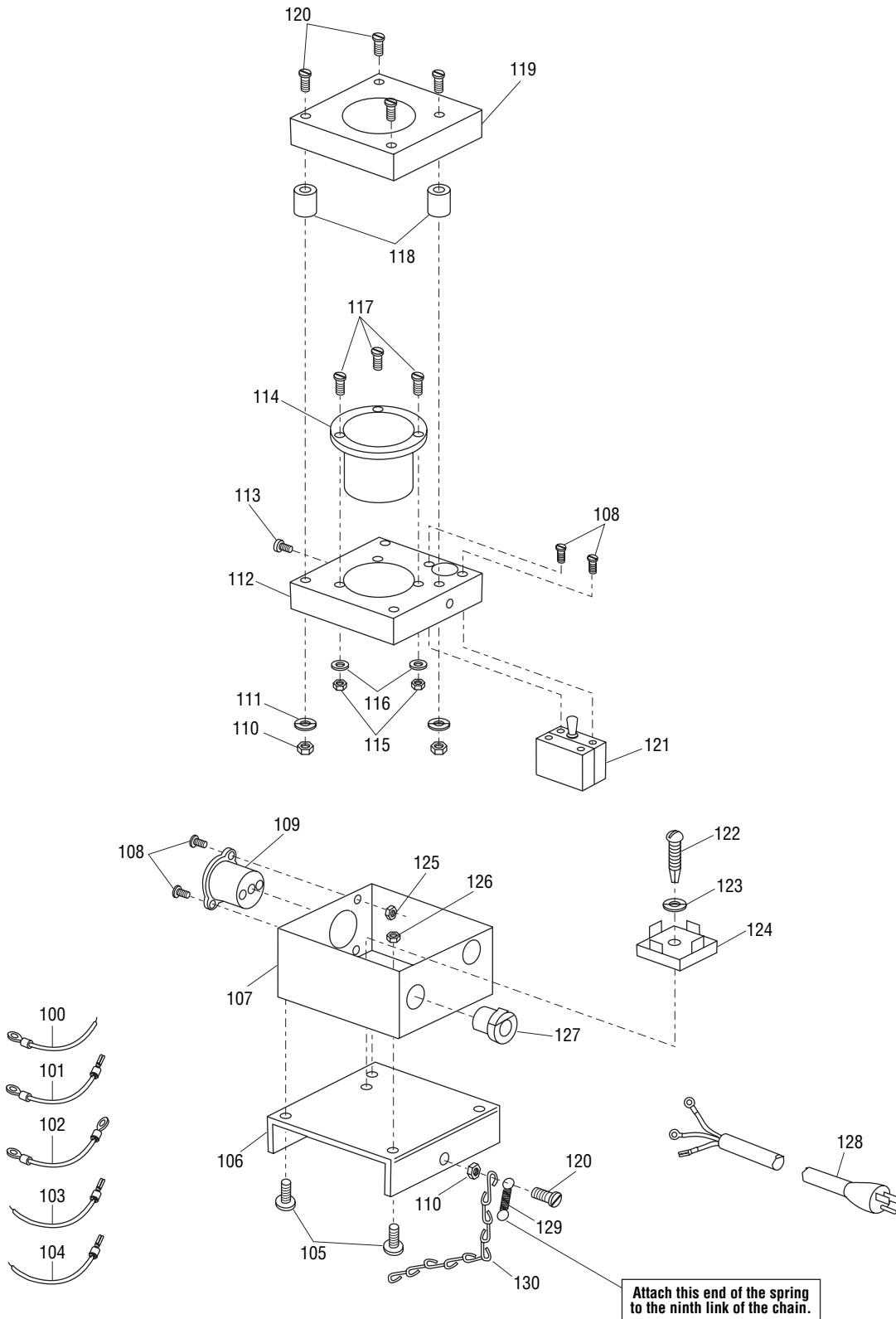
Parts List

Motor and Gearbox

Key	Part No.	Description	Qty.
100	91860717	Bearing, armature (fan end)	1
101	91860644	Armature (120-volt model)	1
	91867576	Armature (220-volt model)	1
102	91860725	Bearing, armature (cap end)	1
103	91860733	Washer, Belleville	8
104	90501896	Nut, 1/4 – 28 UNF	4
105	90507495	Washer, lock, .262 x .469 x .026, internal tooth	4
106	91862736	Plate, end	1
107	91862728	Housing, gear box	1
108	91862760	Gear shaft, output assembly (includes bearings)	1
109	91862744	Gear shaft, drive assembly (includes bearings)	1
110	91862752	Gear shaft, driven assembly (includes bearings)	1
111	50301284	Screen, motor	1
112	90518411	Screw, thread-cutting, #5 – 40 x .250 pan head	4
113	90516869	Nut, hex, #10 – 32 full	2
114	90507509	Washer, lock, .200 x .373 x .023, internal tooth	2
115	91860652	Field (120-volt model)	1
	91861455	Field (220-volt model)	1
116	91860679	Brush	2
117	91860660	Power cord (120-volt model)	1
	91861470	Power cord (220-volt model)	1
118	90511948	Screw, set, #10 – 32 x .187 socket cup (for the brush holder)	2
119	91861020	End cap assembly	1
120	90505778	Screw, cap, #10 – 32 x .750 socket head	4
121	91860687	Cap, brush	2
122	91860695	Holder, brush	2
123	91869226	Rod, threaded, 1/4 – 28 x 6.093	4
124	91869234	Rod, threaded, #8 – 32 x 2.500	2
125	50299638	Shaft, splined	1

Exploded View

503 1465.1—Control Box Unit, 120-Volt



Parts List
503 1465.1—Control Box Unit, 120-Volt

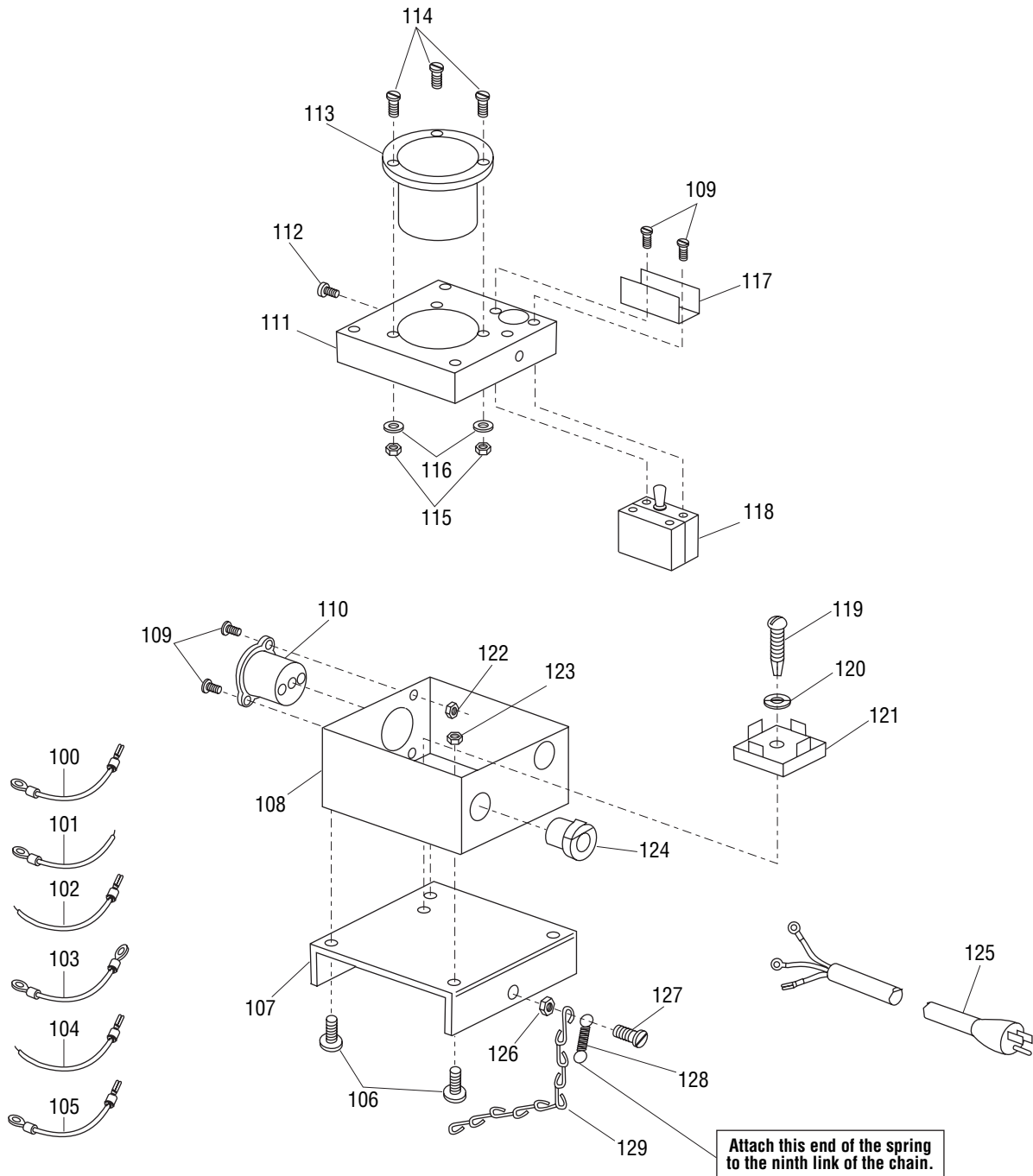
Key	Part No.	Description	Qty.
	50314651	Force gauge unit	
100	50296957	Wire unit, 14 gauge x 4.25", green	1
101	50296965	Wire unit, 14 gauge x 2.25", black	1
102	50296973	Wire unit, 14 gauge x 2.25", black	1
103	50316486	Wire unit, 14 gauge x 4.25", black	1
104	50316494	Wire unit, 14 gauge x 4.25", white	1
105	90514408	Screw, machine, #8 – 32 x .375, round head	4
106	50296949	Base unit	1
107	50317717	Box, control	1
108	90522036	Screw, machine, #6 – 32 x .250, round head	4
109	91861551	Receptacle, female, twist-lock	1
110	90533690	Nut, hex, #12 – 24	5
111	90533704	Washer, lock, .225 x .377 x .056	4
112	50359231	Cover, control box	1
113	90522400	Screw, self-tapping, #6 – 20 x .375, Phillips pan head	2
114	50316460	Meter (includes next three items)	1
115		Nut, hex, #6 – 32	3
116		Washer, #6	3
117		Screw, mach, #6–32 x .750 round head	3
118	50316508	Spacer, .312 x .625 x .560	4
119	50316478	Guard	1
120	90533593	Screw, machine, #12 – 24 x 1.000, round head	5
121	91861527	Switch, circuit breaker, 120 V, 16 Amp	1
122	90533615	Screw, self-tapping, #8 – 32 x .750, slotted round	1
123	90533623	Washer, flat, .188 x .438 x .049	1
124	91859972	Rectifier, bridge, 600V, 35 A, single phase	1
125	90506324	Nut, hex, #6 – 32	2
126	90506332	Nut, hex, #8 – 32	4
127	91860091	Bushing, strain relief	1
128	50296981	Cord unit, electric	1
129	90533518	Spring, extension, .214 x .312 x 2.50"	1
130	50314858	Chain, link, #8 x 24"	1

Decals for the Force Gauge:

50303929	Decal, damp warning	1
50327186	Decal, adjustment zero	1
50302116	Decal, identification (120-volt model)	1

Exploded View

503 1470.0—Control Box Unit, 220-Volt



Parts List
503 1470.0—Control Box Unit, 220-Volt

Key	Part No.	Description	Qty.
	50314700	Force gauge unit	
100	50314726	Wire unit, 14 gauge x 4.25", blue	1
101	50314785	Wire unit, 14 gauge x 4.25", green	1
102	50314793	Wire unit, 14 gauge x 5.25", brown	1
103	50314807	Wire unit, 14 gauge x 2.50", brown	1
104	50315943	Wire unit, 14 gauge x 4.25", blue	1
105	50315951	Wire unit, 14 gauge x 5.25", brown	1
106	90514408	Screw, machine, #8 – 32 x .375, round head	4
107	50296949	Base unit	1
108	50360531	Box, control	1
109	90522036	Screw, machine, #6 – 32 x .250, round head	4
110	91861438	Receptacle, female, twist-lock	1
111	50359223	Cover, control box	1
112	90522400	Screw, self-tapping, #6 – 20 x .375, Phillips pan head	2
113	50314699	Meter (includes next three items)	1
114		Screw, mach, #6 – 32 x .750, round head	3
115		Nut, hex, #6 – 32	3
116		Washer, #6	3
117	50297082	Guard, switch	1
118	91861403	Switch, circuit breaker, 220 V, 8 Amp	1
119	90533615	Screw, self-tapping, #8 – 32 x .750, slotted round	1
120	90533623	Washer, flat, .188 x .438 x .049	1
121	91859972	Rectifier, bridge, 600V, 35 A, single phase	1
122	90506324	Nut, hex, #6 – 32	2
123	90506332	Nut, hex, #8 – 32	4
124	91860091	Bushing, strain relief	1
125	50314734	Cord unit, electric	1
126	90533690	Nut, hex, #12 – 24	1
127	90505166	Screw, machine, #12 – 24 x .750, round head	1
128	90533518	Spring, extension, .214 x .312 x 2.50"	1
129	50314858	Chain, link, #8 x 24"	1

Decals for the Force Gauge:

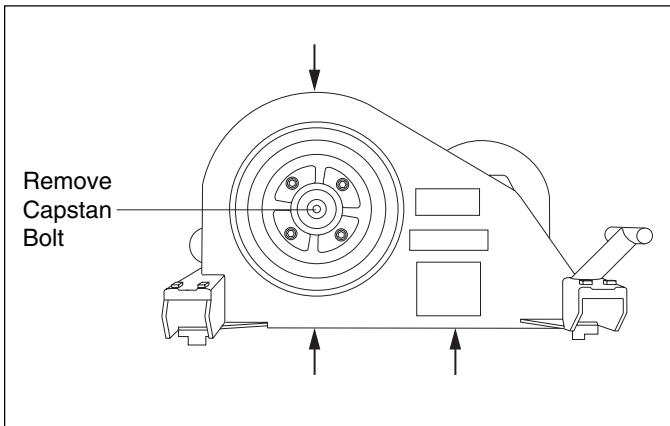
50303929	Decal, damp warning	1
50327186	Decal, adjustment Zero	1
50302116	Decal, identification (220-volt model)	1

35346 Capstan Retrofit Kit

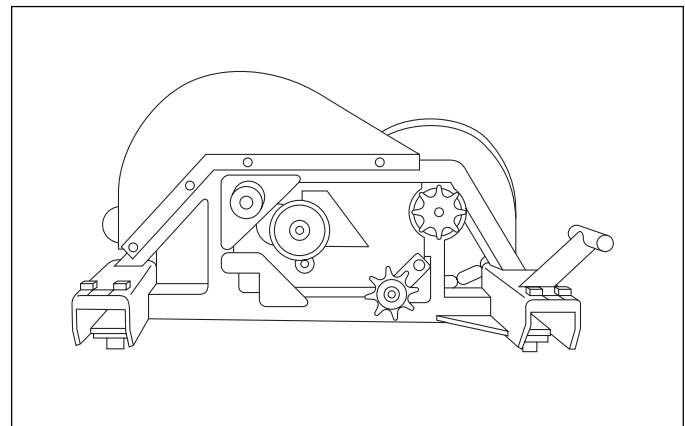
The 35346 Capstan Retrofit Kit is intended to improve early Super Tugger cable pullers with VB or VT serial number prefix. The main components of the kit are a capstan unit, which includes a tapered capstan and rope ramp, and capstan arm. These features are intended to enhance the safety of the Super Tugger.

	⚠ WARNING
	<p>Electric shock hazard: Disconnect the cable puller from the power supply before servicing. Failure to observe this warning could result in severe injury or death.</p>

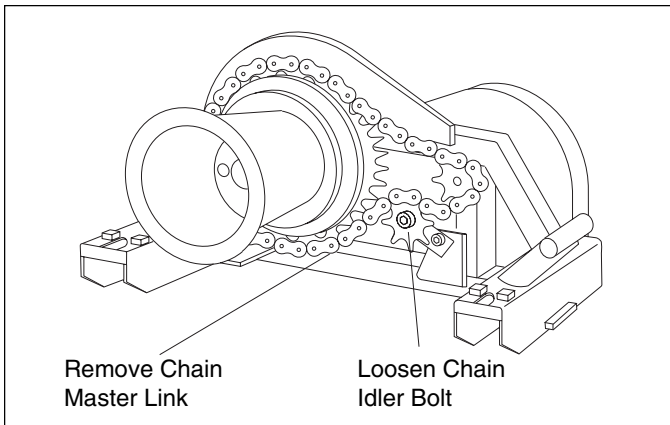
Installation Instructions



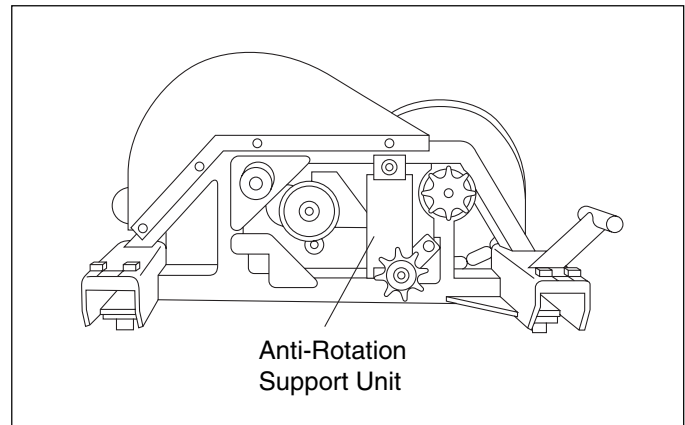
1. Remove the chain guard screws as shown. Remove the chain guard. Remove the capstan bolt.



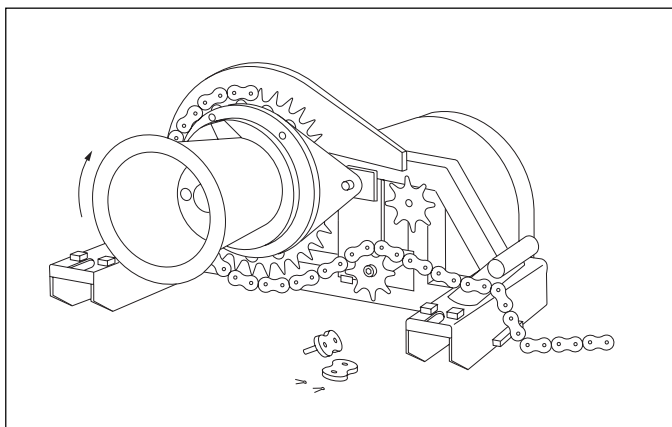
3. Slide the capstan unit off of the capstan shaft. Remove four fiber washers.



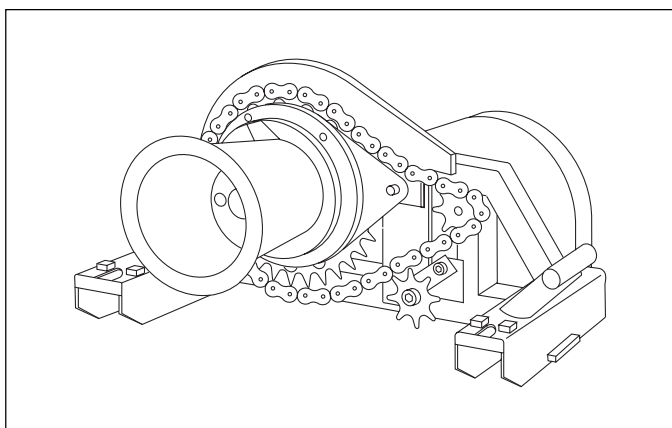
2. Loosen the chain idler arm bolt. Slide the idler down to loosen the chain. Remove the chain master link. Remove the chain.



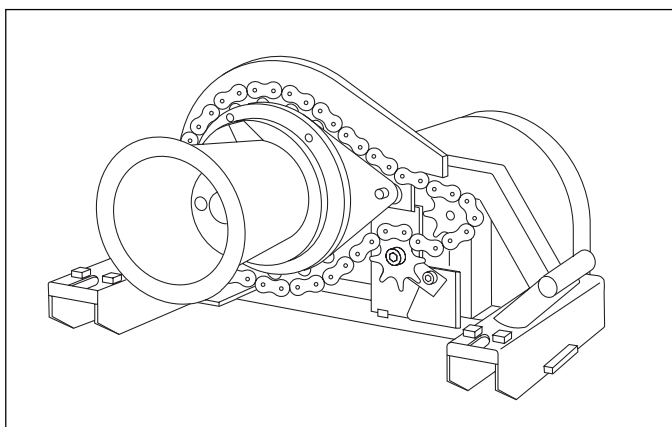
4. Install the anti-rotation support unit (4) as shown and slide rearward, so the bottom of the support unit is trapped behind the idler sprocket mounting plate.

Installation Instructions (cont'd)


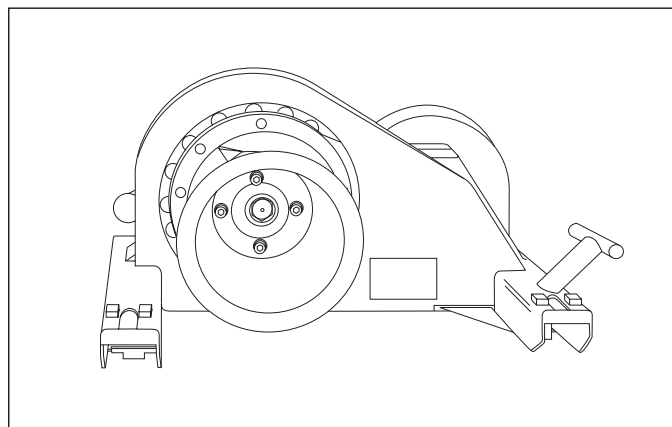
5. Place the four fiber washers onto the capstan shaft. Install the new capstan unit (5) so that the anti-rotation support unit engages the hole in the anti-rotation plate. Install the capstan bolt.



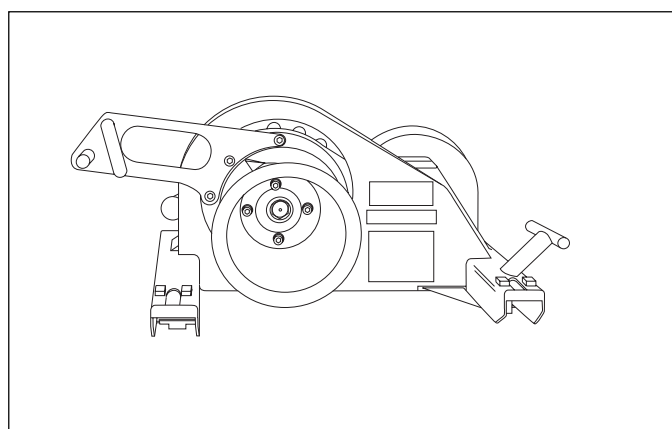
6. Feed the chain onto the bottom side of the sprocket while turning the sprocket clockwise. Install the new connecting link (5). So that the open end of the connecting link faces away from the direction of the chain travel.



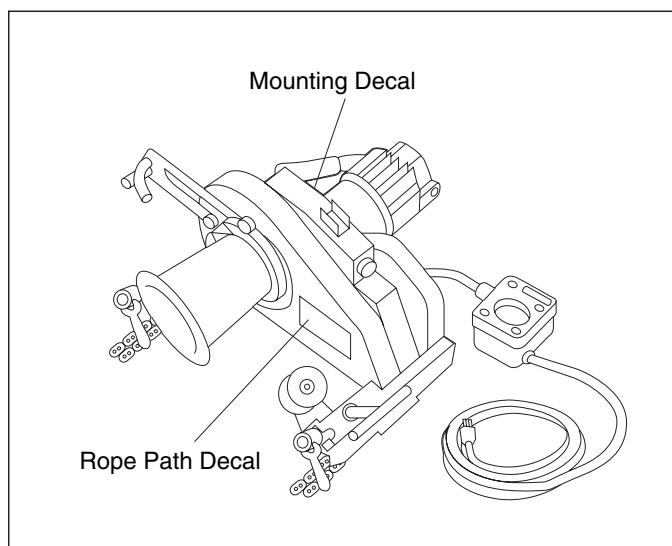
7. Slide the idler arm up until the chain is snug. Tighten the idler arm bolt.



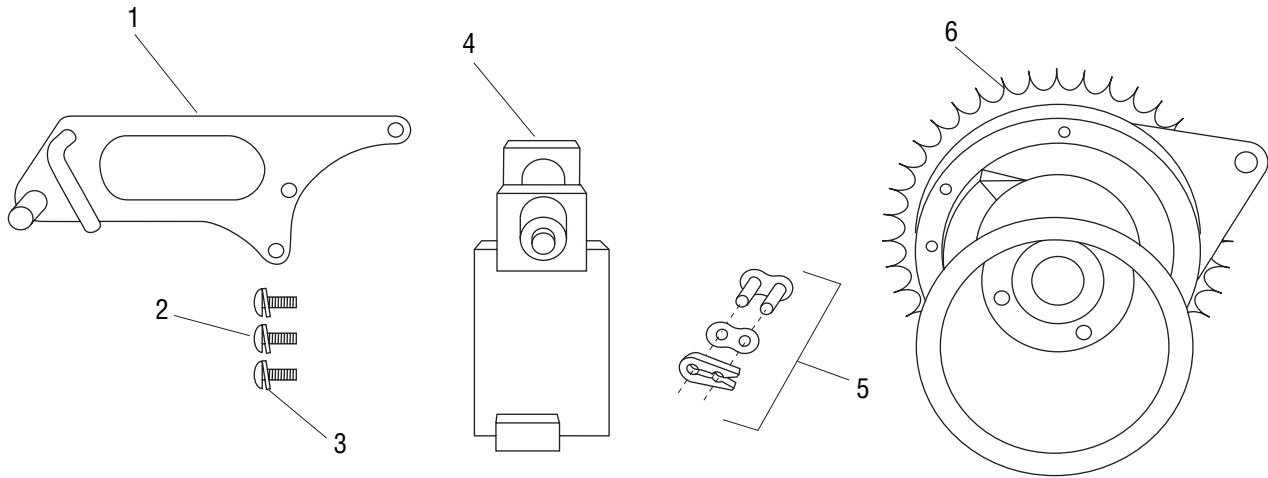
8. Replace the chain guard.



9. Attach the new capstan arm (1) to the ramp (13) with the three cap screws (2) and washers (3).



10. Affix the new decals to the puller.

35346 Capstan Retrofit Kit


Key	Part No.	Description	Qty.
1	50353055	Arm, capstan	1
2	90525876	Screw, cap, 5/16-18 x .875, socket button head	3
3	90516028	Washer, lock, .323 x .586 x .078 spring	3
4	50384104	Support unit, anti-rotation	1
5	90542517	Connecting link	1
6	50355422	Capstan unit (includes the next two items)	1
	90532015	Bearing, bronze, 1.37 x 1.62 x 3.00	1
	50353179	Bushing unit, ramp	1
7	90539222	Screw, cap, 3/8-16 x 2.75 socket head	4
8	90501349	Pin, dowel, .375 x 2.00	4
9	50352911	Ramp	1
10	50353225	Bearing, ramp	1
11	50353187	Plate unit, anti-rotation	1
12	50353101	Washer, flat, 4.80 x 8.00 x .060 thrust	1
13	50353209	Washer, flat, 4.80 x 8.00 x .060 backing	1
14	50353616	Sprocket, #60, 40 teeth	1
	50357069	Decal, mounting	1
	50356666	Decal, rope path	1


GREENLEE®
 A Textron Company

USA	800-435-0786	Fax: 800-451-2632
	815-397-7070	Fax: 815-397-1865
Canada	800-435-0786	Fax: 800-524-2853
International	+1-815-397-7070	Fax: +1-815-397-9247

 4455 Boeing Drive • Rockford, IL 61109-2988 • USA • 815-397-7070
 An ISO 9001 Company • Greenlee Textron Inc. is a subsidiary of Textron Inc.

www.greenlee.com

Printed in USA