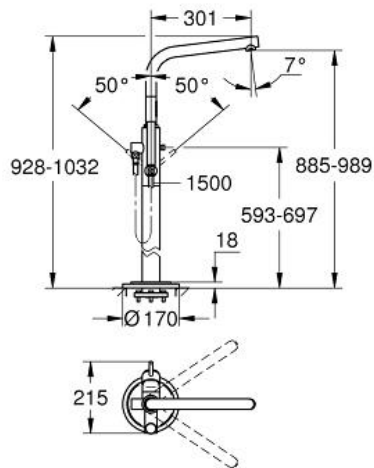


ATRIO
Floor Standing Tub Filler
MODEL # 32135002

Pure Freude
an Wasser

GROHE



Product Description:

ATRIO
Floor Standing Tub Filler

Standard Specification:

- Requires Rough-In Set (29 038 001) (sold separately)
- **GROHE StarLight** chrome finish
- **GROHE SilkMove** ceramic cartridge
- Adjustable flow rate limiter
- 7° swivel tubular spout
- 11 7/8" (301mm) spout reach
- Stop limiter
- Bath/shower diverter
- 1/2" (13mm) Integrated non-return valve in the shower outlet
- With shower holder
- Check valve included to prevent backflow
- Min. recommended pressure: 15 psi (1.0 bar)

Color:

□ 32135002 StarLight Chrome