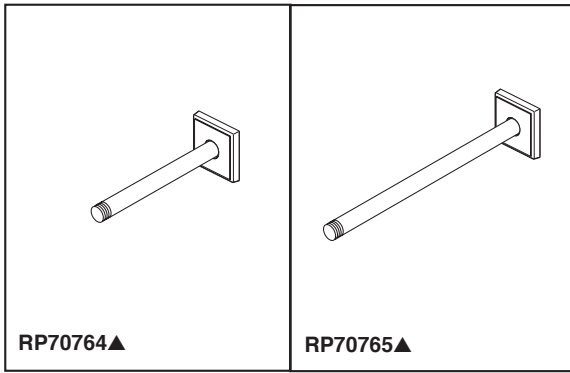


BRIZO®

CEILING MOUNT SHOWER ARMS AND FLANGE



Submitted Model No.: _____

Specific Features: _____

STANDARD SPECIFICATIONS:

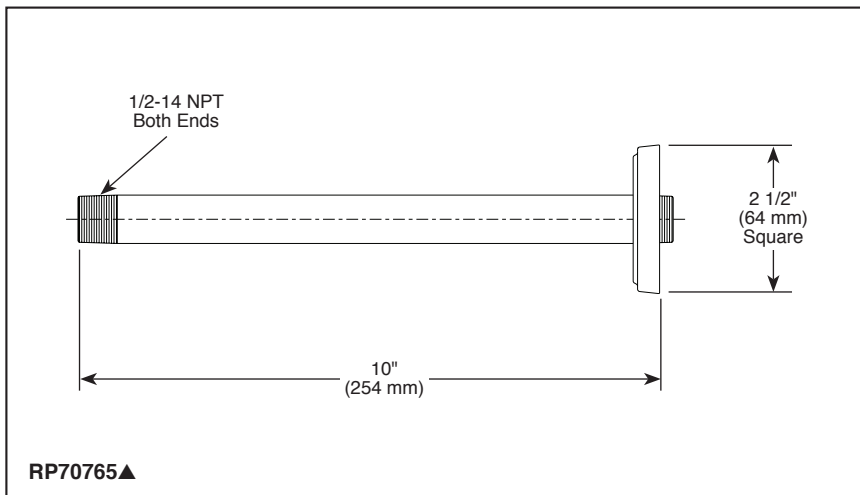
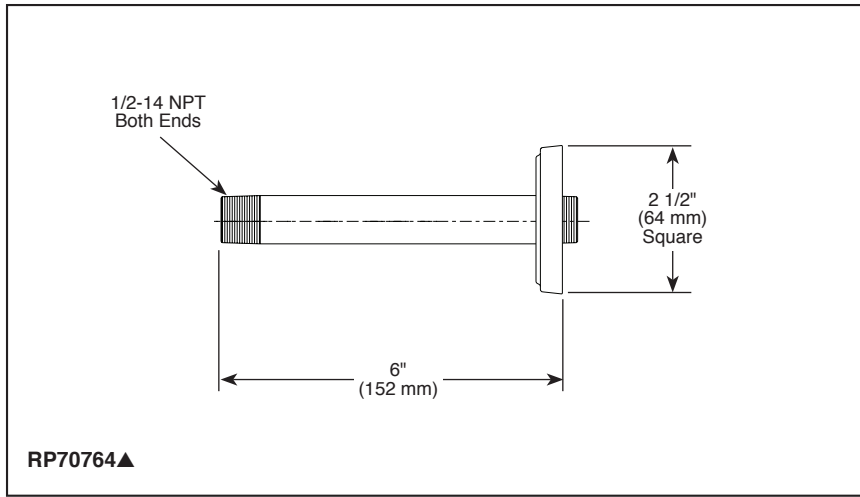
- 1/2" NPT threads
- Solid brass construction
- Adjustable flange is held in place on shower arm by rubber friction ring

WARRANTY

- Lifetime Faucet and Finish Limited Warranty to the original consumer purchaser to be free from defects in material and workmanship.
- 5 Year Limited Warranty for usage in all industrial, commercial and business applications.

COMPLIES WITH:

- ASME A112.18.1 / CSA B125.1



▲ Designate proper finish suffix