



## RESIDENTIAL GAS REPLACEMENT PARTS LIST

# Direct Vent Energy Saver Models “DS” Series



**DEFENDER**  
SAFETY SYSTEM<sup>®</sup>

FEATURING

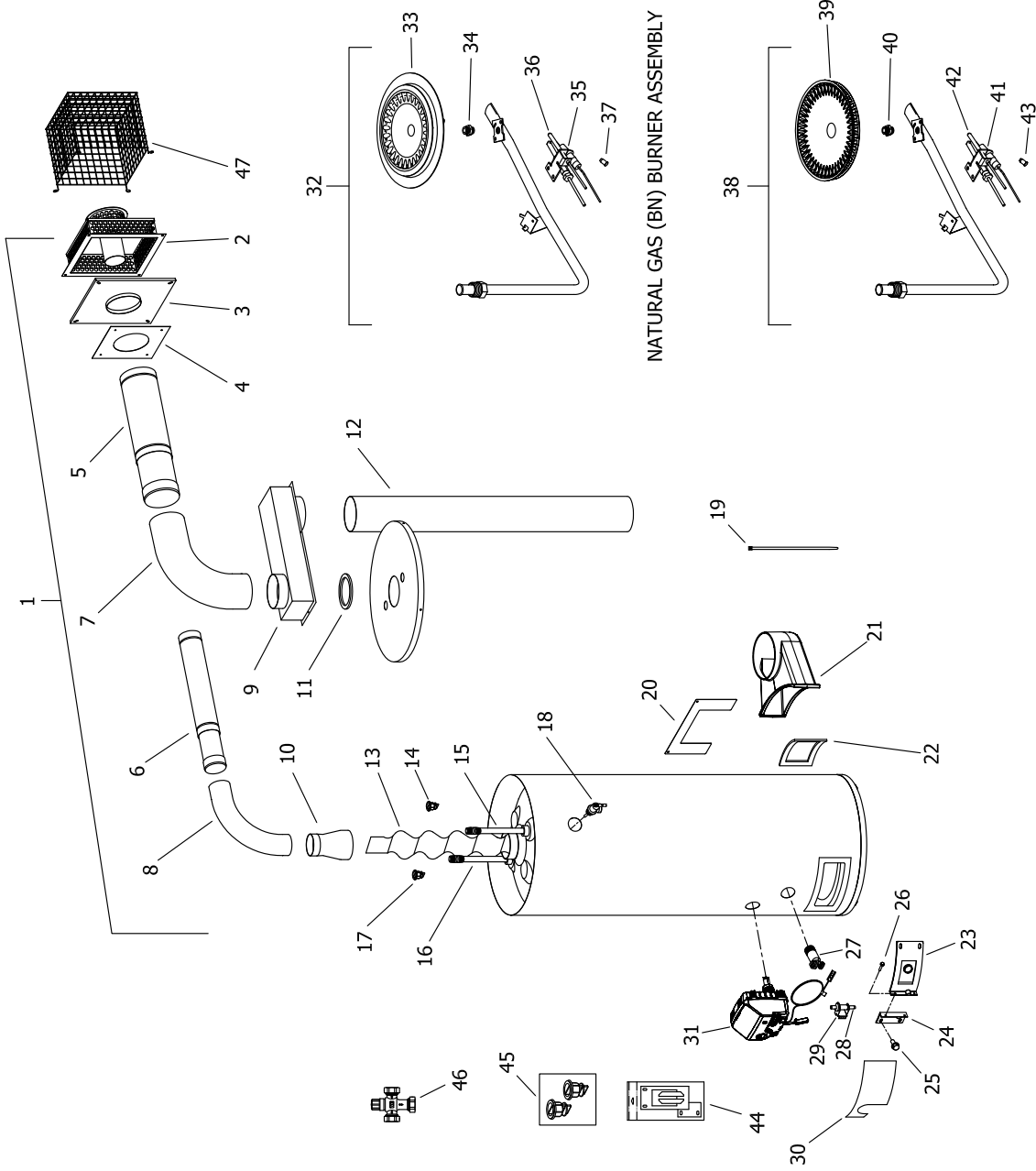
BRADFORD WHITE  
**ICON**  
System<sup>™</sup>

Includes Hydrojet<sup>®</sup>  
Total Performance System

**Effective: September, 2009**  
**ECO 7439**

**NOTE: BOTH MODEL AND SERIAL  
NUMBERS ARE REQUIRED FOR  
ORDERING REPLACEMENT PARTS**

Dimensions and specifications  
subject to change without notice.



NATURAL GAS (BN) BURNER ASSEMBLY

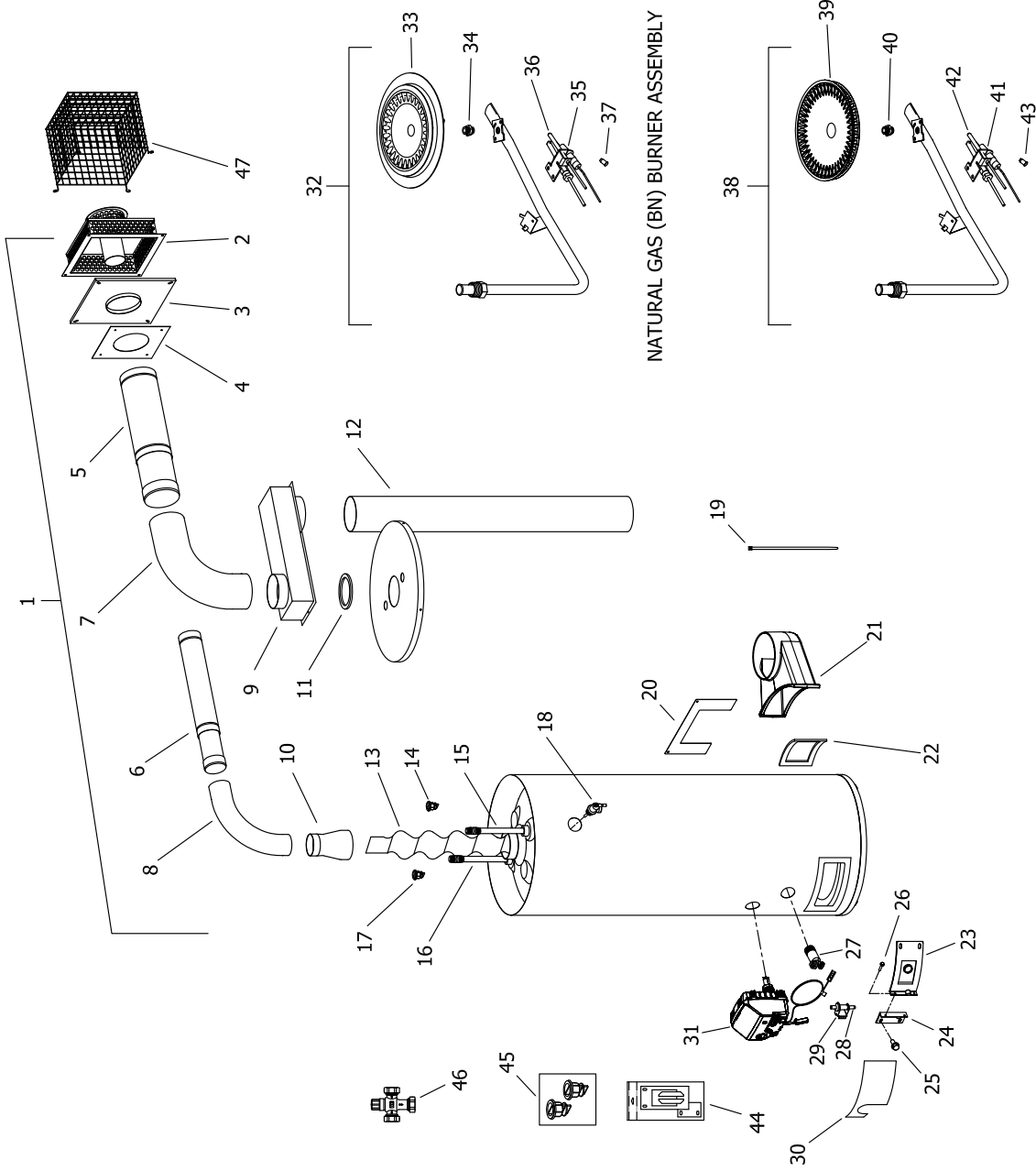
LP GAS (SX) BURNER ASSEMBLY

LP GAS (SX) BURNER ASSEMBLY TO REPLACE LP GAS (CX) BURNER ASSEMBLY  
ON ALL MODELS EXCEPT 75 & 100 GAL. MODELS

Item	Description	Model DS140S*F(BN,CX, SX)	Model DS140S*F(BN,SX) (-ONLY,-FLEX,-SOLID)	Model DS150S*F(BN,CX, SX)	Model DS150S*F(BN,SX) (-ONLY,-FLEX,-SOLID)
1	Vent Package (Solid)	239-41097-00	239-47810-00	239-41097-00	239-47810-00
	Vent Package (Flexible)	---	239-47812-00	---	239-47812-00
2	Direct Vent-Air Intake Terminal (Flexible & Solid)	239-41425-00	239-41425-00	239-41425-00	239-41425-00
3	Outer Wall Mounting Plate (Flexible & Solid)	239-41431-00	239-41431-00	239-41431-00	239-41431-00
4	Inner Wall Mounting Plate (Flexible & Solid)	239-41433-00	239-41433-00	239-41433-00	239-41433-00
5	Five inch Diameter Telescopic Air Intake Tube (Solid Only)	239-41006-00	239-41006-00	239-41006-00	239-41006-00
6	Three inch Diameter Telescopic Vent Tube (Solid Only)	239-41005-00	239-41005-00	239-41005-00	239-41005-00
7	Five inch Diameter Elbow (Solid Only)	239-41007-00	239-41007-00	239-41007-00	239-41007-00
8	Three inch Diameter Elbow (Solid Only)	239-41008-00	239-41008-00	239-41008-00	239-41008-00
9	Plenum	239-41010-00	239-47663-00	239-41010-00	239-47663-00
10	Flue Reducer	239-41009-00	239-41009-00	239-41009-00	239-41009-00
11	Plenum Gasket	239-41070-01	239-41070-01	239-41070-01	239-41070-01
12	Air Intake Tube	239-41012-01	239-47664-01	239-41012-02	239-47664-02
13	Flue Baffle	243-44648-00	243-47511-00	243-44648-00	243-47412-00
14	Heat Trap Insert (Inlet)	239-45073-00	239-45073-00	239-45073-00	239-45073-00
15	Cold Water Inlet Dip Tube Polysulfone ▲▲	229-39628-04	229-39628-04	229-39628-06	229-39628-06
16	Hot Water Outlet Anode Magnesium ▲	224-32731-81	224-32731-81	224-32731-82	224-32731-82
	Aluminum ▲	224-32999-31	224-32999-31	224-32999-06	224-32999-06
	A420 Aluminum ▲	224-45147-04	224-45147-04	224-45147-03	224-45147-03
17	Heat Trap Insert (Outlet)	239-45167-00	239-45167-00	239-45167-00	239-45167-00
18	T&P Relief Valve	230-32920-01	230-32920-01	230-32920-01	230-32920-01
19	Wire Tie	239-44328-00	239-44328-00	239-44328-00	239-44328-00
20	Direct Vent Boot Escutcheon	243-46922-00	---	243-46922-00	---
21	Air Intake Boot	239-46755-01	239-47771-18	239-46755-01	239-47771-18
22	Air Intake Boot Gasket	223-41067-00	w/ Intake Boot	223-41067-00	w/ Intake Boot
23	Right Side Inner Door	239-45642-18	239-45642-18	239-45642-18	239-45642-18
24	Left Side Inner Door	239-43968-18	239-43968-18	239-43968-18	239-43968-18
25	Screw-#10-12 x 3/4 HWH	239-44113-00	239-44113-00	239-44113-00	239-44113-00
26	Screw-#8-18 x 3/4 HWH	239-44195-00	239-44195-00	239-44195-00	239-44195-00
27	Brass Drain Valve	265-42351-02	265-42351-02	265-42351-02	265-42351-02
28	Piezo Igniter (White Rodgers)	239-43448-00	239-43448-00	239-43448-00	239-43448-00
29	Piezo Igniter Bracket (White Rodgers)	239-46157-02	239-46157-02	239-46157-02	239-46157-02
30	Outer Door	243-43962-00	243-43962-00	243-43962-00	243-43962-00
31	Gas Control Direct Replacement Natural Gas	239-47463-01	239-47463-01	239-47463-01	239-47463-01
	Gas Control Direct Replacement LP Gas	239-47465-01	239-47465-01	239-47465-01	239-47465-01
	Gas Control Universal Replacement Natural Gas	239-47851-00	239-47851-00	239-47851-00	239-47851-00
	Gas Control Universal Replacement LP Gas	239-47856-00	239-47856-00	239-47856-00	239-47856-00

\*Applies to all warranties  
\*\*Inner door gasket kit recommended  
\*\*\*Ordering a complete burner assembly may increase delivery time. Please order the specific component required for the quickest delivery.  
▲ Order with item 17  
▲▲ Order with item 14





NATURAL GAS (BN) BURNER ASSEMBLY


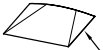
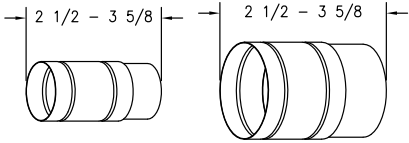

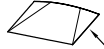
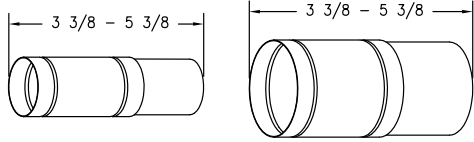


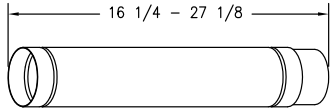
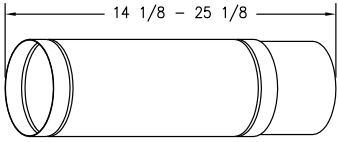

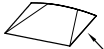
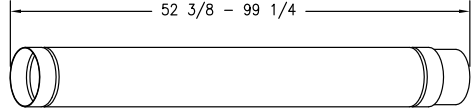
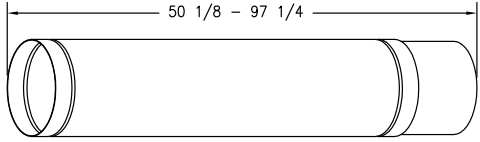
LP GAS (SX) BURNER ASSEMBLY

LP GAS (SX) BURNER ASSEMBLY TO REPLACE LP GAS (CX) BURNER ASSEMBLY  
ON ALL MODELS EXCEPT 75 & 100 GAL. MODELS

Item	Description	Model DS140S*F(BN,CX, SX)	Model DS140S*F(BN,SX) (-ONLY,-FLEX,-SOLID)	Model DS150S*F(BN,CX, SX)	Model DS150S*F(BN,SX) (-ONLY,-FLEX,-SOLID)
<b>Natural Gas BN Burner Assembly</b>					
32	Nat Gas Burner Assembly Complete***	265-47439-07-33	265-47970-01-33	265-47439-07-32	265-47970-01-32
33	Nat. Gas BN Burner**	228-42506-00	228-42506-00	228-42506-00	228-42506-00
34	Nat. Gas Main Burner Orifice**	234-41034-33	234-41034-33	234-41034-32	234-41034-32
	Nat. Gas High Altitude 2001 Ft. to 5000 Ft.**	234-41034-36	234-41034-36	234-41034-36	234-41034-36
	Nat. Gas High Altitude 5001 Ft. to 8000 Ft.**	234-41034-36	234-41034-36	234-41034-38	234-41034-38
	Nat. Gas High Altitude Over 8000 Ft.**	234-41034-40	234-41034-40	234-41034-38	234-41034-38
35	Nat. Gas Pilot Assembly (White Rodgers)**	233-46277-04	233-46277-04	233-46277-04	233-46277-04
	Nat. Gas Pilot Assembly (Honeywell)**	233-48077-03	233-48077-03	233-48077-03	233-48077-03
36	Thermocouple (White Rodgers)**	233-46501-24	233-46501-24	233-46501-24	233-46501-24
37	Nat. Gas Pilot Orifice (White Rodgers)**	234-46502-05	234-46502-05	234-46502-05	234-46502-05
<b>LP Gas SX Burner Assembly</b>					
38	LP Gas Burner Assembly Complete***	265-47440-11-50	265-47971-01-50	265-47440-11-49	265-47971-01-49
39	LP Gas SX Burner**	228-46964-00	228-46964-00	228-46964-00	228-46964-00
40	LP Gas Main Burner Orifice**	234-47064-50	234-47064-50	234-47604-49	234-47604-49
	LP Gas High Altitude 2001 Ft. to 5000 Ft.**	234-47064-51	234-47064-51	234-47064-51	234-47064-51
	LP Gas High Altitude 5001 Ft. to 8000 Ft.**	234-47064-52	234-47064-52	234-47064-52	234-47064-52
	LP Gas High Altitude Over 8000 Ft.**	234-47064-53	234-47064-53	234-47064-52	234-47064-52
41	LP Gas Pilot Assembly (White Rodgers)**	233-46278-03	233-46278-03	233-46278-03	233-46278-03
	LP Gas Pilot Assembly (Honeywell)**	233-48078-03	233-48078-03	233-48078-03	233-48078-03
42	Thermocouple (White Rodgers)**	233-46501-24	233-46501-24	233-46501-24	233-46501-24
43	LP Gas Pilot Orifice (White Rodgers)**	234-46502-02	234-46502-02	234-46502-02	234-46502-02
44	Inner Door Gasket Kit	239-44078-00	239-44078-00	239-44078-00	239-44078-00
45	Heat Trap Insert Kit	265-45420-00	265-45420-00	265-45420-00	265-45420-00
46	ASSE Approved Mixing Valve (Optional)	239-43740-01	239-43740-01	239-43740-01	239-43740-01
47	Direct Vent-Air Intake Terminal Guard (Optional)	239-41453-00	239-41453-00	239-41453-00	239-41453-00
-	LP to Natural Gas Conversion Kit (Norm Alt.)	265-45712-31	265-45712-51	265-45712-32	265-45712-52
-	LP to Natural Gas Conversion Kit (High Alt.)	265-45712-36	265-45712-56	265-45712-37	265-45712-57

\* Applies to all warranties  
 \*\* Inner door gasket kit recommended  
 \*\*\* Ordering a complete burner assembly may increase delivery time. Please order the specific component required for the quickest delivery.  
 ▲ Order with item 17  
 ▲▲ Order with item 14

## SOLID VENT KITS

 <p style="text-align: center;">SILICONE SEALANT</p>  <p style="text-align: center;">BAG OF MOUNTING HARDWARE</p>  <p style="text-align: center;"> <b>DIRECT VENT-AIR INTAKE KIT A</b>  <b>PART NO. 239-41260-00 (OPTIONAL)</b> </p>	 <p style="text-align: center;">SILICONE SEALANT</p>  <p style="text-align: center;">BAG OF MOUNTING HARDWARE</p>  <p style="text-align: center;"> <b>DIRECT VENT-AIR INTAKE KIT B</b>  <b>PART NO. 239-41331-00 (OPTIONAL)</b> </p>
 <p style="text-align: center;">SILICONE SEALANT</p>  <p style="text-align: center;">BAG OF MOUNTING HARDWARE</p>   <p style="text-align: center;"> <b>DIRECT VENT-AIR INTAKE KIT C</b>  <b>PART NO. 239-41029-00 (OPTIONAL)</b>  <b>ABOVE TUBE LENGTHS SUPPLIED WITH HEATER</b> </p>	 <p style="text-align: center;">SILICONE SEALANT</p>  <p style="text-align: center;">BAG OF MOUNTING HARDWARE</p>   <p style="text-align: center;"> <b>DIRECT VENT-AIR INTAKE KIT D</b>  <b>PART NO. 239-41424-00 (OPTIONAL)</b> </p>

**SOLID VENT KITS**

		Horizontal "X"					
		13 1/4 14 3/16	15 17 11/16	22 1/4 32 3/16	36 55 7/8	58 5/16 104 5/16	
10	order kit A 239-41260-00	order kit B 239-41331-00	<b>no add'l kit req'd</b>	order kit C 239-41029-00	order kit D 239-41424-00		
14 3/4 15 11/16	order kit A *(2) 239-41260-00	order kit A & B 239-41260-00 239-41331-00	order kit A 239-41260-00	order kit A & C 239-41260-00 239-41029-00	order kit A & D 239-41260-00 239-41424-00		
16 1/2 19 3/16	order kit A & B 239-41260-00 239-41331-00	order kit B *(2) 239-41331-00	order kit B 239-41331-00	order kit B & C 239-41331-00 239-41029-00	order kit B & D 239-41331-00 239-41424-00		
23 3/4 33 11/16	order kit A 239-41260-00	order kit B 239-41331-00	order kit C 239-41029-00	order kit C *(2) 239-41029-00	order kit D 239-41424-00		
37 1/2 57 3/8	order kit A & C 239-41260-00 239-41029-00	order kit B & C 239-41331-00 239-41029-00	order kit C *(2) 239-41029-00	order kit C *(3) 239-41029-00	order kit C & D 239-41029-00 239-41424-00		
59 13/16 105 13/16	order kit A & D 239-41260-00 239-41424-00	order kit B & D 239-41331-00 239-41424-00	order kit D 239-41424-00	order kit C & D 239-41029-00 239-41424-00	order kit D *(2) 239-41424-00		

Vertical "Y"

\*(2) = Order two kits  
\*(3) = Order three kits

**FLEXIBLE VENT KITS**

Vertical Vent Height + Horizontal Vent Length	Kit Part Number
Less than 100 inches	239-47812-00
More than 100 inches	N/A*

\*Do not attempt to use flexible vent hose at a distance greater than 100 inches.



# **BRADFORD WHITE®**

W A T E R H E A T E R S

Ambler, PA

For U.S. and Canada field service,  
contact your professional installer or  
local Bradford White sales representative.

**Sales/800-523-2931**  
**Fax/215-641-1670**  
**Parts Fax/215-641-2180**

**Technical Support/800-334-3393**  
**Fax/269-795-1089**

**Warranty/800-531-2111**  
**Fax/269-795-1089**

**International:**  
**Telephone/215-641-9400**  
**Telefax/215-641-9750**



# **BRADFORD WHITE-CANADA® INC.**

Mississauga, ON

**Sales/866-690-0961**  
**905-238-0100**

**Fax/905-238-0105**

**Technical Support/800-334-3393**

**Email**

**parts@bradfordwhite.com**  
**techserv@bradfordwhite.com**

**www.bradfordwhite.com**