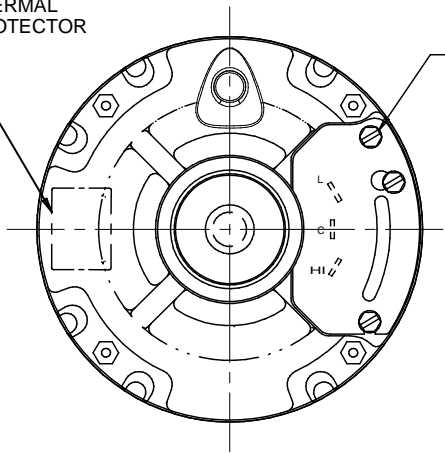
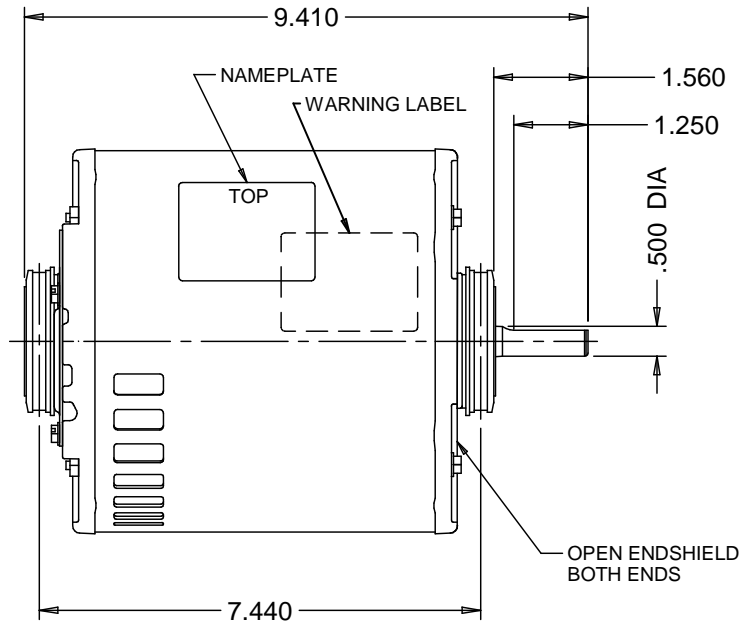


AUTOMATIC
THERMAL
PROTECTOR



GREEN
GROUND
SCREW



CONNECTIONS
 L LOW SPEED
 C COMMON
 H HIGH SPEED

MOTOR IS NON-REVERSIBLE
 CW. ROTATION SHAFT END.

NIDEC MOTOR CORPORATION 11-Oct-12

BALL BEARING

MODEL	REF	CUSTOMER	HP	VOLTS	AMPS	HZ	RPM	ROTATION	CUSTOMER PN
S63NTSSJ-8066		STANDARD	1/2 / 1/6	115	7.5/4.0	60	1725/1140	CCW LEAD END	6765

SHEET NUMBER	REV	REVISION RECORD FOR: C6408-00
1 OF 1	A	UPDATED "ENGINEER APPROVED" TO B. GAITAN.
REVISION DATE		
11-OCT-12		

INFORMATION DISCLOSED ON THIS DOCUMENT
 IS CONSIDERED PROPRIETARY AND SHALL NOT BE
 REPRODUCED OR DISCLOSED WITHOUT WRITTEN
 CONSENT OF NIDEC MOTOR CORPORATION

**NIDEC MOTOR
 CORPORATION**

ALL DIMENSIONS ARE FOR REFERENCE ONLY UNLESS TOLERANCE IS GIVEN

ISSUED BY	REVIEWED BY	ENGINEER APPROVED
E. VICENCIO	M. LARGENT	B. GAITAN

TITLE
ASSEMBLED VIEW

CODE
V01

ITEM NO.
788674

SIZE
A