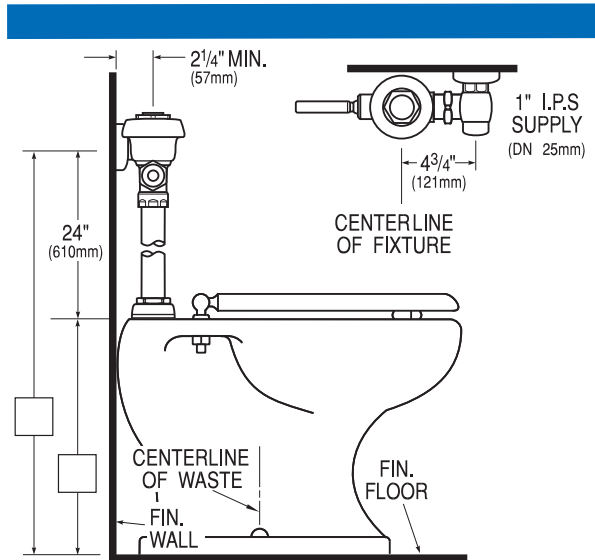


UPPERCUT™

The Fastest Way to Start Saving Water!

HET
HIGH-EFFICIENCY TOILET



!!! IMPORTANT !!!

When mounted on an ADA accessible bowl, the rough-in to the supply inlet should be no higher than 37 1/2" or the handle will exceed maximum height allowances under ADA guidelines.

New ADAAG Guidelines allow for Split or Offset Grab Bars, check with local authorities or reference section 604.5.2 of ADAAG.

Dual Flush Flushometer

WES-115

► **Description**

Exposed Water Closet Flushometer with Dual Flush Feature, for floor mounted or wall hung top spud bowls.

► **Flush Cycle**

WES-115 High Efficiency (*Down* 1.6 gpf/6.0 Lpf, *Up* 1.1 gpf/4.2 Lpf)

► **Specifications**

Dual Flush, Quiet, Exposed, Diaphragm Type, Chrome Plated Closet Flushometer with the following features:

- Lifting handle UP initiates reduced flush (1.1 gpf/4.2 Lpf), eliminating liquid and paper waste, saving a 1/2-gallon of water
 - Pushing handle DOWN initiates full flush (1.6 gpf/6.0 Lpf), eliminating all waste
 - Reduces water volume by up to 30% when activated UPWARDS
 - Antimicrobial Coating on Handle protects against germs
 - PERMEX™ Synthetic Rubber Diaphragm with Dual Filtered Fixed Bypass
 - Distinctive Green ADA Compliant Metal Non-Hold-Open Handle with Triple Seal Handle Packing signifies Water Conserving Device
 - 1" I.P.S. Screwdriver Bak-Chek™ Angle Stop
 - Free Spinning Vandal Resistant Stop Cap
 - Adjustable Tailpiece
 - High Back Pressure Vacuum Breaker Flush Connection with One-piece Bottom Hex Coupling Nut
 - Spud Coupling and Flange for 1 1/2" Top Spud
 - Sweat Solder Adapter with Cover Tube and Cast Set Screw Wall Flange
 - High Copper, Low Zinc Brass Castings for Dezincification Resistance
 - Non-Hold-Open Handle, Fixed Metering Bypass and No External Volume Adjustment to Ensure Water Conservation
 - Flush Accuracy Controlled by CID™ Technology
 - Diaphragm, Handle Packing, Stop Seat and Vacuum Breaker molded from PERMEX™ Rubber Compound for Chloramine Resistance
 - Includes (2) adhesive backed Metal Wall Plates etched with Instructions
- Valve Body, Cover, Tailpiece and Control Stop shall be in conformance with ASTM Alloy Classification for Semi-Red Brass. Valve shall be in compliance to the applicable sections of ASSE 1037.

► **Variations**

- O** Offset Vacuum Breaker, Specify: 1" - 1 1/2" - 2"
- YK** Solid Ring Pipe Support

► **Accessories**

See Accessories Section of the Sloan catalog for details on these and other Flushometer variations.

► **Fixtures**

Consult Sloan for Sloan brand matching fixture options.



Patent Pending



This space for Architect/Engineer approval

The information contained in this document is subject to change without notice.

SLOAN®

SLOAN VALVE COMPANY • 10500 SEYMOUR AVE. • FRANKLIN PARK, IL. 60131
Ph: 1-800-9-VALVE-9 or 1-847-671-4300 • Fax: 1-800-447-8329 or 1-847-671-4380
www.sloanvalve.com