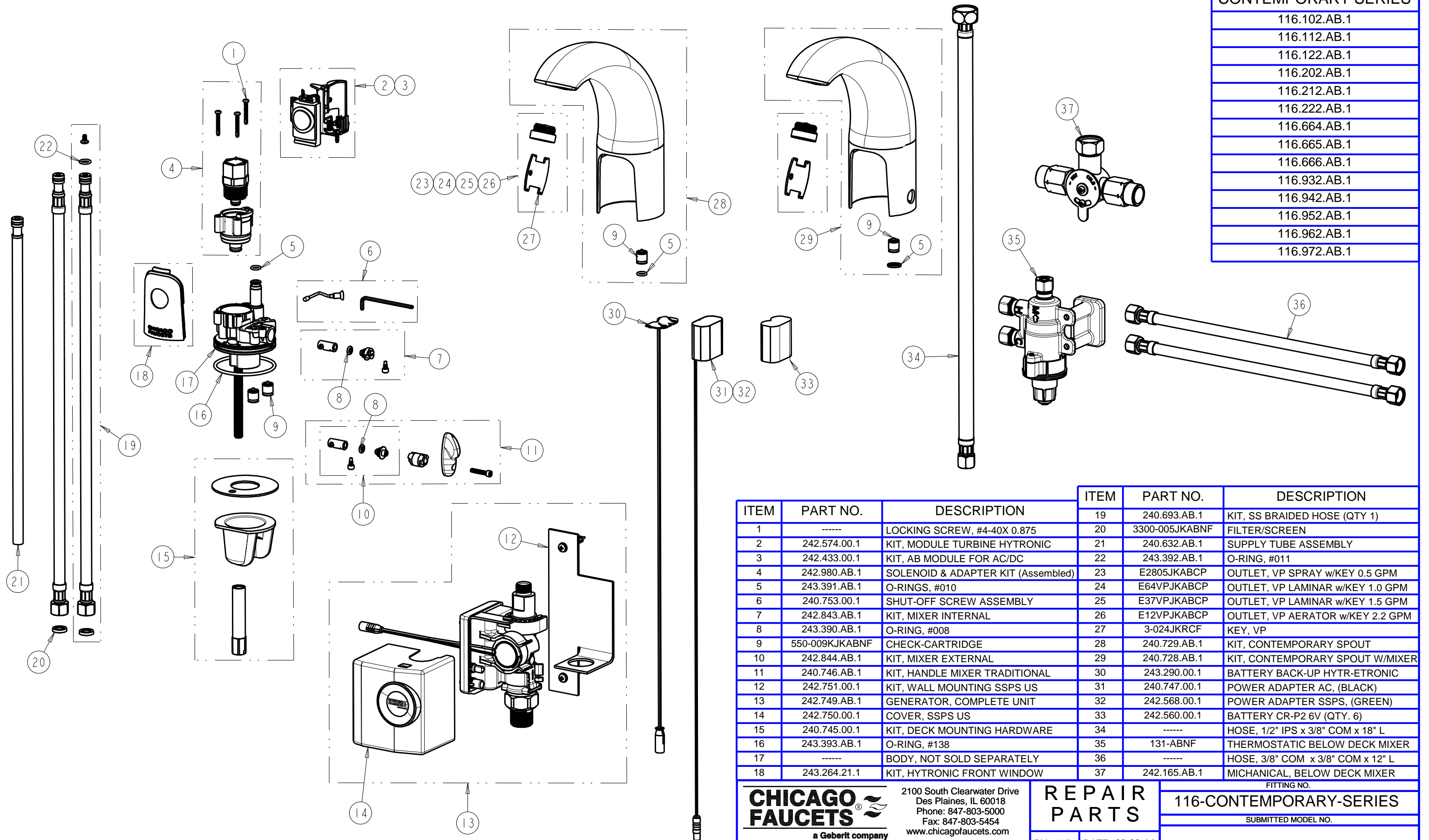


CONTEMPORARY SERIES

116.102.AB.1
116.112.AB.1
116.122.AB.1
116.202.AB.1
116.212.AB.1
116.222.AB.1
116.664.AB.1
116.665.AB.1
116.666.AB.1
116.932.AB.1
116.942.AB.1
116.952.AB.1
116.962.AB.1
116.972.AB.1



ITEM	PART NO.	DESCRIPTION	ITEM	PART NO.	DESCRIPTION
			19	240.693.AB.1	KIT, SS BRAIDED HOSE (QTY 1)
1	----	LOCKING SCREW, #4-40X 0.875	20	3300-005JKABNF	FILTER/SCREEN
2	242.574.00.1	KIT, MODULE TURBINE HYTRONIC	21	240.632.AB.1	SUPPLY TUBE ASSEMBLY
3	242.433.00.1	KIT, AB MODULE FOR AC/DC	22	243.392.AB.1	O-RING, #011
4	242.980.AB.1	SOLENOID & ADAPTER KIT (Assembled)	23	E2805JKABCP	OUTLET, VP SPRAY w/KEY 0.5 GPM
5	243.391.AB.1	O-RINGS, #010	24	E64VPJKABCP	OUTLET, VP LAMINAR w/KEY 1.0 GPM
6	240.753.00.1	SHUT-OFF SCREW ASSEMBLY	25	E37VPJKABCP	OUTLET, VP LAMINAR w/KEY 1.5 GPM
7	242.843.AB.1	KIT, MIXER INTERNAL	26	E12VPJKABCP	OUTLET, VP AERATOR w/KEY 2.2 GPM
8	243.390.AB.1	O-RING, #008	27	3-024JKRCF	KEY, VP
9	550-009KJKABNF	CHECK-CARTRIDGE	28	240.729.AB.1	KIT, CONTEMPORARY SPOUT
10	242.844.AB.1	KIT, MIXER EXTERNAL	29	240.728.AB.1	KIT, CONTEMPORARY SPOUT W/MIXER
11	240.746.AB.1	KIT, HANDLE MIXER TRADITIONAL	30	243.290.00.1	BATTERY BACK-UP HYTR-ETRONIC
12	242.751.00.1	KIT, WALL MOUNTING SSPS US	31	240.747.00.1	POWER ADAPTER AC, (BLACK)
13	242.749.AB.1	GENERATOR, COMPLETE UNIT	32	242.568.00.1	POWER ADAPTER SSPS, (GREEN)
14	242.750.00.1	COVER, SSPS US	33	242.560.00.1	BATTERY CR-P2 6V (QTY. 6)
15	240.745.00.1	KIT, DECK MOUNTING HARDWARE	34	-----	HOSE, 1/2" IPS x 3/8" COM x 18" L
16	243.393.AB.1	O-RING, #138	35	131-ABNF	THERMOSTATIC BELOW DECK MIXER
17	-----	BODY, NOT SOLD SEPARATELY	36	-----	HOSE, 3/8" COM x 3/8" COM x 12" L
18	243.264.21.1	KIT, HYTRONIC FRONT WINDOW	37	242.165.AB.1	MICHAICAL, BELOW DECK MIXER

CHICAGO FAUCETS
a Geberit company

2100 South Clearwater Drive
Des Plaines, IL 60018
Phone: 847-803-5000
Fax: 847-803-5454
www.chicagofaucets.com

REPAIR PARTS

BY: JAR DATE: 02-06-14
CHK: AR REV: 07-28-16

FOR TECHNICAL ASSISTANCE
1-800-TEC-TRUE (1-800-832-8783)

FITTING NO.	
116-CONTEMPORARY-SERIES	
SUBMITTED MODEL NO.	
ITEM NO.	