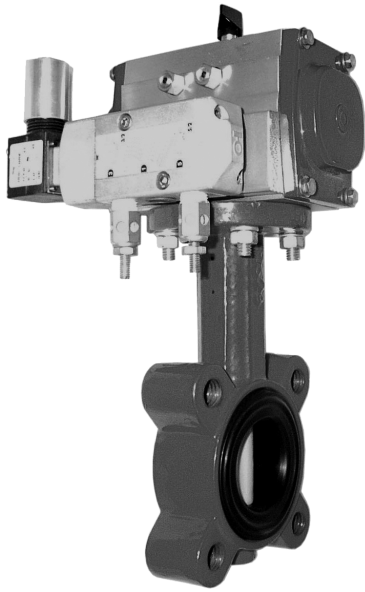


Butterfly Valves

VFF1 Two-way Normally-Open Control Butterfly Valves



Body Pattern: 2 way (S/R NO)
Valve Action: Normally Open
Connection Type: Lugged
Controlled Medium: Chilled and hot water, up to 50% glycol
Actuator Control Type: Pneumatic
Type of Enclosure: Pneumatic
Flow Characteristic: Modified Equal Percent
Mounting: ANSI Flanged
Static Pressure Rating (max): 250 psi (1724 kPa)
Actuator Ambient Temperature Ratings: -20 F to 150 F (-29 C to 66 C)
Temperature Range: -40 F to 250 F (-40 C to 121 C)

Number of Flange Bolts
For 2 in., 2-1/2 in., 3 in. valves: 4
For 4 in., 5 in., 6 in., 8 in. valves: 8
For 10 in., 12 in., 14 in. valves: 12
For 16 in., 18 in., 20 in. valves: 16

Flange Bolt Thread
For 2 in., 2-1/2 in., 3 in., 4 in. valves: 5/8 in. -11 pitch
For 5 in., 6 in., 8 in. valves: 3/4 in. -10 pitch
For 10 in., 12 in. valves: 7/8 in. -9 pitch
For 14 in., 16 in., 18 in., 20 in. valves: 1-1/8 in. -7 pitch

Materials
(Body): Polyester-coated cast iron ASTM A126 Class B
(Stem): 416 stainless steel
(Seat): Peroxide-cured EPDM resilient seat
(Plug/Ball/Disc): Nylon 11-coated ductile iron

Resilient seat in two-way valves, provide control for HVAC system applications including chilled water, hot water, cooling tower water, thermal storage systems, and steam.

Product Number	Valve Size		Capacity at 60 degrees stroke		Capacity at 90 degrees stroke		Actuator Selection	Maximum Differential Pressure Ratings (Close-off)		Comments	Includes
	inch	DN	Cv	k _{VS}	Cv	k _{VS}		psi	kPa		
VFF1FW1Y8P	2 in.	DN50	61 Cv	53 k _{VS}	Stroke limited to 70 degrees		20 psi spring return	175 psi	1206	Linear actuator	—
VFF1FW1YCS	2 in.	DN50	61 Cv	53 k _{VS}	144 Cv	125 k _{VS}	2-position, 24 Vac solenoid 80 psi spring return	175 psi	1206	—	Position indicator
VFF1FW1YDS	2 in.	DN50	61 Cv	53 k _{VS}	144 Cv	125 k _{VS}	4-20 mA Servo, 80 psi spring return	175 psi	1206	—	Position indicator
VFF1FW1YES	2 in.	DN50	61 Cv	53 k _{VS}	144 Cv	125 k _{VS}	2-position, 120 Vac solenoid 80 psi spring return	175 psi	1206	—	Position indicator
VFF1FW1YPP	2 in.	DN50	61 Cv	53 k _{VS}	Stroke limited to 70 degrees		Modulating w/positioner, spring return	175 psi	1206	Linear actuator	—
VFF1FW1YPS	2 in.	DN50	61 Cv	53 k _{VS}	144 Cv	125 k _{VS}	Modulating w/positioner, spring return	175 psi	1206	—	Position indicator
VFF1FW1YXS	2 in.	DN50	61 Cv	53 k _{VS}	144 Cv	125 k _{VS}	2-position, 80 psi spring return	175 psi	1206	—	Position indicator
VFF1GW1Y8P	2-1/2 in.	DN65	107 Cv	93 k _{VS}	Stroke limited to 70 degrees		20 psi spring return	175 psi	1206	Linear actuator	—
VFF1GW1YCS	2-1/2 in.	DN65	107 Cv	93 k _{VS}	282 Cv	244 k _{VS}	2-position, 24 Vac solenoid 80 psi spring return	175 psi	1206	—	Position indicator
VFF1GW1YDS	2-1/2 in.	DN65	107 Cv	93 k _{VS}	282 Cv	244 k _{VS}	4-20 mA Servo, 80 psi spring return	175 psi	1206	—	Position indicator
VFF1GW1YES	2-1/2 in.	DN65	107 Cv	93 k _{VS}	282 Cv	244 k _{VS}	2-position, 120 Vac solenoid 80 psi spring return	175 psi	1206	—	Position indicator
VFF1GW1YPP	2-1/2 in.	DN65	107 Cv	93 k _{VS}	Stroke limited to 70 degrees		Modulating w/positioner, spring return	175 psi	1206	Linear actuator	—
VFF1GW1YPS	2-1/2 in.	DN65	107 Cv	93 k _{VS}	282 Cv	244 k _{VS}	Modulating w/positioner, spring return	175 psi	1206	—	Position indicator
VFF1GW1YXS	2-1/2 in.	DN65	107 Cv	93 k _{VS}	282 Cv	244 k _{VS}	2-position, 80 psi spring return	175 psi	1206	—	Position indicator

Butterfly Valves

Product Number	Valve Size		Capacity at 60 degrees stroke		Capacity at 90 degrees stroke		Actuator Selection	Maximum Differential Pressure Ratings (Close-off)		Comments	Includes
	inch	DN	Cv	kvs	Cv	kvs		psi	kPa		
VFF1HW1Y8P	3 in.	DN80	154 Cv	133 kvs	Stroke limited to 70 degrees		20 psi spring return	175 psi	1206	Linear actuator	—
VFF1HW1YCS	3 in.	DN80	154 Cv	133 kvs	461 Cv	399 kvs	2-position, 24 Vac solenoid 80 psi spring return	175 psi	1206	—	Position indicator
VFF1HW1YDS	3 in.	DN80	154 Cv	133 kvs	461 Cv	399 kvs	4-20 mA Servo, 80 psi spring return	175 psi	1206	—	Position indicator
VFF1HW1YES	3 in.	DN80	154 Cv	133 kvs	461 Cv	399 kvs	2-position, 120 Vac solenoid 80 psi spring return	175 psi	1206	—	Position indicator
VFF1HW1YPP	3 in.	DN80	154 Cv	133 kvs	Stroke limited to 70 degrees		Modulating w/positioner, spring return	175 psi	1206	Linear actuator	—
VFF1HW1YPS	3 in.	DN80	154 Cv	133 kvs	461 Cv	399 kvs	Modulating w/positioner, spring return	175 psi	1206	—	Position indicator
VFF1HW1YXS	3 in.	DN80	154 Cv	133 kvs	461 Cv	399 kvs	2-position, 80 psi spring return	175 psi	1206	—	Position indicator
VFF1JV1Y8P	4 in.	DN100	274 Cv	237 kvs	Stroke limited to 70 degrees		20 psi spring return	50 psi	345	Linear actuator,	—
VFF1JV1YCS	4 in.	DN100	274 Cv	237 kvs	841 Cv	727 kvs	2-position, 24 Vac solenoid 80 psi spring return	50 psi	345	—	Position indicator
VFF1JV1YDS	4 in.	DN100	274 Cv	237 kvs	841 Cv	727 kvs	4-20 mA Servo, 80 psi spring return	50 psi	345	—	Position indicator
VFF1JV1YES	4 in.	DN100	274 Cv	237 kvs	841 Cv	727 kvs	2-position, 120 Vac solenoid 80 psi spring return	50 psi	345	—	Position indicator
VFF1JV1YPP	4 in.	DN100	274 Cv	237 kvs	Stroke limited to 70 degrees		Modulating w/positioner, spring return	50 psi	345	Linear actuator,	—
VFF1JV1YPS	4 in.	DN100	274 Cv	237 kvs	841 Cv	727 kvs	Modulating w/positioner, spring return	50 psi	345	—	Position indicator
VFF1JV1YXS	4 in.	DN100	274 Cv	237 kvs	841 Cv	727 kvs	2-position, 80 psi spring return	50 psi	345	—	Position indicator
VFF1JW1Y8P	4 in.	DN100	274 Cv	237 kvs	Stroke limited to 70 degrees		20 psi spring return	175 psi	1206	Linear actuator	—
VFF1JW1YCS	4 in.	DN100	274 Cv	237 kvs	841 Cv	727 kvs	2-position, 24 Vac solenoid 80 psi spring return	175 psi	1206	—	Position indicator
VFF1JW1YDS	4 in.	DN100	274 Cv	237 kvs	841 Cv	727 kvs	4-20 mA Servo, 80 psi spring return	175 psi	1206	—	Position indicator
VFF1JW1YES	4 in.	DN100	274 Cv	237 kvs	841 Cv	727 kvs	2-position, 120 Vac solenoid 80 psi spring return	175 psi	1206	—	Position indicator
VFF1JW1YPP	4 in.	DN100	274 Cv	237 kvs	Stroke limited to 70 degrees		Modulating w/positioner, spring return	175 psi	1206	Linear actuator	—
VFF1JW1YPS	4 in.	DN100	274 Cv	237 kvs	841 Cv	727 kvs	Modulating w/positioner, spring return	175 psi	1206	—	Position indicator
VFF1JW1YXS	4 in.	DN100	274 Cv	237 kvs	841 Cv	727 kvs	2-position, 80 psi spring return	175 psi	1206	—	Position indicator
VFF1KV1Y8P	5 in.	DN125	428 Cv	370 kvs	Stroke limited to 70 degrees		20 psi spring return	50 psi	345	Linear actuator	—
VFF1KV1YCS	5 in.	DN125	428 Cv	370 kvs	1376 Cv	1190 kvs	2-position, 24 Vac solenoid 80 psi spring return	50 psi	345	—	Position indicator
VFF1KV1YDS	5 in.	DN125	428 Cv	370 kvs	1376 Cv	1190 kvs	4-20 mA Servo, 80 psi spring return	50 psi	345	—	Position indicator
VFF1KV1YES	5 in.	DN125	428 Cv	370 kvs	1376 Cv	1190 kvs	2-position, 120 Vac solenoid 80 psi spring return	50 psi	345	—	Position indicator
VFF1KV1YPP	5 in.	DN125	428 Cv	370 kvs	Stroke limited to 70 degrees		Modulating w/positioner, spring return	50 psi	345	Linear actuator	—
VFF1KV1YPS	5 in.	DN125	428 Cv	370 kvs	1376 Cv	1190 kvs	Modulating w/positioner, spring return	50 psi	345	—	Position indicator

Butterfly Valves

Product Number	Valve Size		Capacity at 60 degrees stroke		Capacity at 90 degrees stroke		Actuator Selection	Maximum Differential Pressure Ratings (Close-off)		Comments	Includes
	inch	DN	Cv	kvs	Cv	kvs		psi	kPa		
VFF1KV1YXS	5 in.	DN125	428 Cv	370 kvs	1376 Cv	1190 kvs	2-position, 80 psi spring return	50 psi	345	—	Position indicator
VFF1KW1Y8P	5 in.	DN125	428 Cv	370 kvs	Stroke limited to 70 degrees		20 psi spring return	175 psi	1206	Linear actuator,	—
VFF1KW1YCS	5 in.	DN125	428 Cv	370 kvs	1376 Cv	1190 kvs	2-position, 24 Vac solenoid 80 psi spring return	175 psi	1206	—	Position indicator
VFF1KW1YDS	5 in.	DN125	428 Cv	370 kvs	1376 Cv	1190 kvs	4-20 mA Servo, 80 psi spring return	175 psi	1206	—	Position indicator
VFF1KW1YES	5 in.	DN125	428 Cv	370 kvs	1376 Cv	1190 kvs	2-position, 120 Vac solenoid 80 psi spring return	175 psi	1206	—	Position indicator
VFF1KW1YPP	5 in.	DN125	428 Cv	370 kvs	Stroke limited to 70 degrees		Modulating w/positioner, spring return	175 psi	1206	Linear actuator	—
VFF1KW1YPS	5 in.	DN125	428 Cv	370 kvs	1376 Cv	1190 kvs	Modulating w/positioner, spring return	175 psi	1206	—	Position indicator
VFF1KW1YXS	5 in.	DN125	428 Cv	370 kvs	1376 Cv	1190 kvs	2-position, 80 psi spring return	175 psi	1206	—	Position indicator
VFF1LV1YCS	6 in.	DN150	567 Cv	490 kvs	1850 Cv	1600 kvs	2-position, 24 Vac solenoid 80 psi spring return	50 psi	345	—	Position indicator
VFF1LV1YDS	6 in.	DN150	567 Cv	490 kvs	1850 Cv	1600 kvs	4-20 mA Servo, 80 psi spring return	50 psi	345	—	Position indicator
VFF1LV1YES	6 in.	DN150	567 Cv	490 kvs	1850 Cv	1600 kvs	2-position, 120 Vac solenoid 80 psi spring return	50 psi	345	—	Position indicator
VFF1LV1YPS	6 in.	DN150	567 Cv	490 kvs	1850 Cv	1600 kvs	Modulating w/positioner, spring return	50 psi	345	—	Position indicator
VFF1LV1YXS	6 in.	DN150	567 Cv	490 kvs	1850 Cv	1600 kvs	2-position, 80 psi spring return	50 psi	345	—	Position indicator
VFF1LW1Y8P	6 in.	DN150	567 Cv	490 kvs	Stroke limited to 70 degrees		20 psi spring return	175 psi	1206	Linear actuator	—
VFF1LW1YCS	6 in.	DN150	567 Cv	490 kvs	1850 Cv	1600 kvs	2-position, 24 Vac solenoid 80 psi spring return	175 psi	1206	—	Position indicator
VFF1LW1YDS	6 in.	DN150	567 Cv	490 kvs	1850 Cv	1600 kvs	4-20 mA Servo, 80 psi spring return	175 psi	1206	—	Position indicator
VFF1LW1YES	6 in.	DN150	567 Cv	490 kvs	1850 Cv	1600 kvs	2-position, 120 Vac solenoid 80 psi spring return	175 psi	1206	—	Position indicator
VFF1LW1YPP	6 in.	DN150	567 Cv	490 kvs	Stroke limited to 70 degrees		Modulating w/positioner, spring return	175 psi	1206	Linear actuator,	—
VFF1LW1YPS	6 in.	DN150	567 Cv	490 kvs	1850 Cv	1600 kvs	Modulating w/positioner, spring return	175 psi	1206	—	Position indicator
VFF1LW1YXS	6 in.	DN150	567 Cv	490 kvs	1850 Cv	1600 kvs	2-position, 80 psi spring return	175 psi	1206	—	Position indicator
VFF1MV1Y8P	8 in.	DN200	1081 Cv	935 kvs	Stroke limited to 70 degrees		20 psi spring return	50 psi	345	Linear actuator,	—
VFF1MV1YCS	8 in.	DN200	1081 Cv	935 kvs	3316 Cv	2868 kvs	2-position, 24 Vac solenoid 80 psi spring return	50 psi	345	—	Position indicator
VFF1MV1YDS	8 in.	DN200	1081 Cv	935 kvs	3316 Cv	2868 kvs	4-20 mA Servo, 80 psi spring return	50 psi	345	—	Position indicator
VFF1MV1YES	8 in.	DN200	1081 Cv	935 kvs	3316 Cv	2868 kvs	2-position, 120 Vac solenoid 80 psi spring return	50 psi	345	—	Position indicator
VFF1MV1YPP	8 in.	DN200	1081 Cv	935 kvs	Stroke limited to 70 degrees		Modulating w/positioner, spring return	50 psi	345	Linear actuator	—
VFF1MV1YPS	8 in.	DN200	1081 Cv	935 kvs	3316 Cv	2868 kvs	Modulating w/positioner, spring return	50 psi	345	—	Position indicator
VFF1MV1YXS	8 in.	DN200	1081 Cv	935 kvs	3316 Cv	2868 kvs	2-position, 80 psi spring return	50 psi	345	—	Position indicator

Butterfly Valves

Product Number	Valve Size		Capacity at 60 degrees stroke		Capacity at 90 degrees stroke		Actuator Selection	Maximum Differential Pressure Ratings (Close-off)		Comments	Includes
	inch	DN	Cv	kvs	Cv	kvs		psi	kPa		
VFF1MW1Y8P	8 in.	DN200	1081 Cv	935 k _{VS}	Stroke limited to 70 degrees		20 psi spring return	175 psi	1206	Linear actuator	—
VFF1MW1YCS	8 in.	DN200	1081 Cv	935 k _{VS}	3316 Cv	2868 k _{VS}	2-position, 24 Vac solenoid 80 psi spring return	175 psi	1206	—	Position indicator
VFF1MW1YDS	8 in.	DN200	1081 Cv	935 k _{VS}	3316 Cv	2868 k _{VS}	4-20 mA Servo, 80 psi spring return	175 psi	1206	—	Position indicator
VFF1MW1YES	8 in.	DN200	1081 Cv	935 k _{VS}	3316 Cv	2868 k _{VS}	2-position, 120 Vac solenoid 80 psi spring return	175 psi	1206	—	Position indicator
VFF1MW1YPP	8 in.	DN200	1081 Cv	935 k _{VS}	Stroke limited to 70 degrees		Modulating w/positioner, spring return	175 psi	1206	Linear actuator	—
VFF1MW1YPS	8 in.	DN200	1081 Cv	935 k _{VS}	3316 Cv	2868 k _{VS}	Modulating w/positioner, spring return	175 psi	1206	—	Position indicator
VFF1MW1YXS	8 in.	DN200	1081 Cv	935 k _{VS}	3316 Cv	2868 k _{VS}	2-position, 80 psi spring return	175 psi	1206	—	Position indicator
VFF1NV1Y8P	10 in.	DN250	1710 Cv	1479 k _{VS}	Stroke limited to 70 degrees		20 psi spring return	50 psi	345	Linear actuator	—
VFF1NV1YCS	10 in.	DN250	1710 Cv	1479 k _{VS}	5430 Cv	4697 k _{VS}	2-position, 24 Vac solenoid 80 psi spring return	50 psi	345	—	Position indicator
VFF1NV1YDS	10 in.	DN250	1710 Cv	1479 k _{VS}	5430 Cv	4697 k _{VS}	4-20 mA Servo, 80 psi spring return	50 psi	345	—	Position indicator
VFF1NV1YES	10 in.	DN250	1710 Cv	1479 k _{VS}	5430 Cv	4697 k _{VS}	2-position, 120 Vac solenoid 80 psi spring return	50 psi	345	—	Position indicator
VFF1NV1YPP	10 in.	DN250	1710 Cv	1479 k _{VS}	Stroke limited to 70 degrees		Modulating w/positioner, spring return	50 psi	345	Linear actuator	—
VFF1NV1YPS	10 in.	DN250	1710 Cv	1479 k _{VS}	5430 Cv	4697 k _{VS}	Modulating w/positioner, spring return	50 psi	345	—	Position indicator
VFF1NV1YXS	10 in.	DN250	1710 Cv	1479 k _{VS}	5430 Cv	4697 k _{VS}	2-position, 80 psi spring return	50 psi	345	—	Position indicator
VFF1NW1YCS	10 in.	DN250	1710 Cv	1479 k _{VS}	5430 Cv	4697 k _{VS}	2-position, 24 Vac solenoid 80 psi spring return	175 psi	1206	—	Position indicator
VFF1NW1YDS	10 in.	DN250	1710 Cv	1479 k _{VS}	5430 Cv	4697 k _{VS}	4-20 mA Servo, 80 psi spring return	175 psi	1206	—	Position indicator
VFF1NW1YES	10 in.	DN250	1710 Cv	1479 k _{VS}	5430 Cv	4697 k _{VS}	2-position, 120 Vac solenoid 80 psi spring return	175 psi	1206	—	Position indicator
VFF1NW1YPS	10 in.	DN250	1710 Cv	1479 k _{VS}	5430 Cv	4697 k _{VS}	Modulating w/positioner, spring return	175 psi	1206	—	Position indicator
VFF1NW1YXS	10 in.	DN250	1710 Cv	1479 k _{VS}	5430 Cv	4697 k _{VS}	2-position, 80 psi spring return	175 psi	1206	—	Position indicator
VFF1PV1YCS	12 in.	DN300	2563 Cv	2217 k _{VS}	8077 Cv	6987 k _{VS}	2-position, 24 Vac solenoid 80 psi spring return	50 psi	345	—	Position indicator
VFF1PV1YDS	12 in.	DN300	2563 Cv	2217 k _{VS}	8077 Cv	6987 k _{VS}	4-20 mA Servo, 80 psi spring return	50 psi	345	—	Position indicator
VFF1PV1YES	12 in.	DN300	2563 Cv	2217 k _{VS}	8077 Cv	6987 k _{VS}	2-position, 120 Vac solenoid 80 psi spring return	50 psi	345	—	Position indicator
VFF1PV1YPS	12 in.	DN300	2563 Cv	2217 k _{VS}	8077 Cv	6987 k _{VS}	Modulating w/positioner, spring return	50 psi	345	—	Position indicator
VFF1PV1YXS	12 in.	DN300	2563 Cv	2217 k _{VS}	8077 Cv	6987 k _{VS}	2-position, 80 psi spring return	50 psi	345	—	Position indicator
VFF1PW1YCS	12 in.	DN300	2563 Cv	2217 k _{VS}	8077 Cv	6987 k _{VS}	2-position, 24 Vac solenoid 80 psi spring return	175 psi	1206	—	Position indicator
VFF1PW1YDS	12 in.	DN300	2563 Cv	2217 k _{VS}	8077 Cv	6987 k _{VS}	4-20 mA Servo, 80 psi spring return	175 psi	1206	—	Position indicator

Butterfly Valves

Product Number	Valve Size		Capacity at 60 degrees stroke		Capacity at 90 degrees stroke		Actuator Selection	Maximum Differential Pressure Ratings (Close-off)		Comments	Includes
	inch	DN	Cv	kvs	Cv	kvs		psi	kPa		
VFF1PW1YES	12 in.	DN300	2563 Cv	2217 kvs	8077 Cv	6987 kvs	2-position, 120 Vac solenoid 80 psi spring return	175 psi	1206	—	Position indicator
VFF1PW1YPS	12 in.	DN300	2563 Cv	2217 kvs	8077 Cv	6987 kvs	Modulating w/positioner, spring return	175 psi	1206	—	Position indicator
VFF1PW1YXS	12 in.	DN300	2563 Cv	2217 kvs	8077 Cv	6987 kvs	2-position, 80 psi spring return	175 psi	1206	—	Position indicator
VFF1RV1YCS	14 in.	DN350	3384 Cv	2927 kvs	10538 Cv	9115 kvs	2-position, 24 Vac solenoid 80 psi spring return	50 psi	345	—	Position indicator
VFF1RV1YDS	14 in.	DN350	3384 Cv	2927 kvs	10538 Cv	9115 kvs	4-20 mA Servo, 80 psi spring return	50 psi	345	—	Position indicator
VFF1RV1YES	14 in.	DN350	3384 Cv	2927 kvs	10538 Cv	9115 kvs	2-position, 120 Vac solenoid 80 psi spring return	50 psi	345	—	Position indicator
VFF1RV1YPS	14 in.	DN350	3384 Cv	2927 kvs	10538 Cv	9115 kvs	Modulating w/positioner, spring return	50 psi	345	—	Position indicator
VFF1RV1YXS	14 in.	DN350	3384 Cv	2927 kvs	10538 Cv	9115 kvs	2-position, 80 psi spring return	50 psi	345	—	Position indicator
VFF1RW1YCS	14 in.	DN350	3384 Cv	2927 kvs	10538 Cv	9115 kvs	2-position, 24 Vac solenoid 80 psi spring return	150 psi	1034	—	Position indicator
VFF1RW1YDS	14 in.	DN350	3384 Cv	2927 kvs	10538 Cv	9115 kvs	4-20 mA Servo, 80 psi spring return	150 psi	1034	—	Position indicator
VFF1RW1YES	14 in.	DN350	3384 Cv	2927 kvs	10538 Cv	9115 kvs	2-position, 120 Vac solenoid 80 psi spring return	150 psi	1034	—	Position indicator
VFF1RW1YPS	14 in.	DN350	3384 Cv	2927 kvs	10538 Cv	9115 kvs	Modulating w/positioner, spring return	150 psi	1034	—	Position indicator
VFF1RW1YXS	14 in.	DN350	3384 Cv	2927 kvs	10538 Cv	9115 kvs	2-position, 80 psi spring return	150 psi	1034	—	Position indicator
VFF1SV1YCS	16 in.	DN400	4483 Cv	3878 kvs	13966 Cv	12081 kvs	2-position, 24 Vac solenoid 80 psi spring return	50 psi	345	—	Position indicator
VFF1SV1YDS	16 in.	DN400	4483 Cv	3878 kvs	13966 Cv	12081 kvs	4-20 mA Servo, 80 psi spring return	50 psi	345	—	Position indicator
VFF1SV1YES	16 in.	DN400	4483 Cv	3878 kvs	13966 Cv	12081 kvs	2-position, 120 Vac solenoid 80 psi spring return	50 psi	345	—	Position indicator
VFF1SV1YPS	16 in.	DN400	4483 Cv	3878 kvs	13966 Cv	12081 kvs	Modulating w/positioner, spring return	50 psi	345	—	Position indicator
VFF1SV1YXS	16 in.	DN400	4483 Cv	3878 kvs	13966 Cv	12081 kvs	2-position, 80 psi spring return	50 psi	345	—	Position indicator
VFF1SW1YCS	16 in.	DN400	4483 Cv	3878 kvs	13966 Cv	12081 kvs	2-position, 24 Vac solenoid 80 psi spring return	150 psi	1034	—	Position indicator
VFF1SW1YDS	16 in.	DN400	4483 Cv	3878 kvs	13966 Cv	12081 kvs	4-20 mA Servo, 80 psi spring return	150 psi	1034	—	Position indicator
VFF1SW1YES	16 in.	DN400	4483 Cv	3878 kvs	13966 Cv	12081 kvs	2-position, 120 Vac solenoid 80 psi spring return	150 psi	1034	—	Position indicator
VFF1SW1YPS	16 in.	DN400	4483 Cv	3878 kvs	13966 Cv	12081 kvs	Modulating w/positioner, spring return	150 psi	1034	—	Position indicator
VFF1SW1YXS	16 in.	DN400	4483 Cv	3878 kvs	13966 Cv	12081 kvs	2-position, 80 psi spring return	150 psi	1034	—	Position indicator
VFF1TV1YCS	18 in.	DN450	5736 Cv	4962 kvs	17214 Cv	14890 kvs	2-position, 24 Vac solenoid 80 psi spring return	50 psi	345	—	Position indicator
VFF1TV1YDS	18 in.	DN450	5736 Cv	4962 kvs	17214 Cv	14890 kvs	4-20 mA Servo, 80 psi spring return	50 psi	345	—	Position indicator
VFF1TV1YES	18 in.	DN450	5736 Cv	4962 kvs	17214 Cv	14890 kvs	2-position, 120 Vac solenoid 80 psi spring return	50 psi	345	—	Position indicator

Butterfly Valves

Product Number	Valve Size		Capacity at 60 degrees stroke		Capacity at 90 degrees stroke		Actuator Selection	Maximum Differential Pressure Ratings (Close-off)		Comments	Includes
	inch	DN	Cv	k _{VS}	Cv	k _{VS}		psi	kPa		
VFF1TV1YPS	18 in.	DN450	5736 Cv	4962 k _{VS}	17214 Cv	14890 k _{VS}	Modulating w/positioner, spring return	50 psi	345	—	Position indicator
VFF1TV1YXS	18 in.	DN450	5736 Cv	4962 k _{VS}	17214 Cv	14890 k _{VS}	2-position, 80 psi spring return	50 psi	345	—	Position indicator
VFF1TW1YCS	18 in.	DN450	5736 Cv	4962 k _{VS}	17214 Cv	14890 k _{VS}	2-position, 24 Vac solenoid 80 psi spring return	150 psi	1034	—	Position indicator
VFF1TW1YDS	18 in.	DN450	5736 Cv	4962 k _{VS}	17214 Cv	14890 k _{VS}	4-20 mA Servo, 80 psi spring return	150 psi	1034	—	Position indicator
VFF1TW1YES	18 in.	DN450	5736 Cv	4962 k _{VS}	17214 Cv	14890 k _{VS}	2-position, 120 Vac solenoid 80 psi spring return	150 psi	1034	—	Position indicator
VFF1TW1YPS	18 in.	DN450	5736 Cv	4962 k _{VS}	17214 Cv	14890 k _{VS}	Modulating w/positioner, spring return	150 psi	1034	—	Position indicator
VFF1TW1YXS	18 in.	DN450	5736 Cv	4962 k _{VS}	17214 Cv	14890 k _{VS}	2-position, 80 psi spring return	150 psi	1034	—	Position indicator
VFF1UV1YCS	20 in.	DN500	7144 Cv	6180 k _{VS}	22339 Cv	19323 k _{VS}	2-position, 24 Vac solenoid 80 psi spring return	50 psi	345	—	Position indicator
VFF1UV1YDS	20 in.	DN500	7144 Cv	6180 k _{VS}	22339 Cv	19323 k _{VS}	4-20 mA Servo, 80 psi spring return	50 psi	345	—	Position indicator
VFF1UV1YES	20 in.	DN500	7144 Cv	6180 k _{VS}	22339 Cv	19323 k _{VS}	2-position, 120 Vac solenoid 80 psi spring return	50 psi	345	—	Position indicator
VFF1UV1YPS	20 in.	DN500	7144 Cv	6180 k _{VS}	22339 Cv	19323 k _{VS}	Modulating w/positioner, spring return	50 psi	345	—	Position indicator
VFF1UV1YXS	20 in.	DN500	7144 Cv	6180 k _{VS}	22339 Cv	19323 k _{VS}	2-position, 80 psi spring return	50 psi	345	—	Position indicator
VFF1UW1YCS	20 in.	DN500	7144 Cv	6180 k _{VS}	22339 Cv	19323 k _{VS}	2-position, 24 Vac solenoid 80 psi spring return	150 psi	1034	—	Position indicator
VFF1UW1YDS	20 in.	DN500	7144 Cv	6180 k _{VS}	22339 Cv	19323 k _{VS}	4-20 mA Servo, 80 psi spring return	150 psi	1034	—	Position indicator
VFF1UW1YES	20 in.	DN500	7144 Cv	6180 k _{VS}	22339 Cv	19323 k _{VS}	2-position, 120 Vac solenoid 80 psi spring return	150 psi	1034	—	Position indicator
VFF1UW1YPS	20 in.	DN500	7144 Cv	6180 k _{VS}	22339 Cv	19323 k _{VS}	Modulating w/positioner, spring return	150 psi	1034	—	Position indicator
VFF1UW1YXS	20 in.	DN500	7144 Cv	6180 k _{VS}	22339 Cv	19323 k _{VS}	2-position, 80 psi spring return	150 psi	1034	—	Position indicator

Butterfly Valves

VFF2 Two-way Control Butterfly Valves



Resilient seat two-way valves provide control for HVAC system applications including chilled water, hot water, cooling tower water, thermal storage systems, and steam.

Body Pattern: 2 way (NC, NC/NO; NSR)
Valve Action: Normally Closed, convertible to Normally Open with Spring Return actuator
Connection Type: Lugged
Controlled Medium: Chilled and hot water, up to 50% glycol
Actuator Control Type: See Tables
Flow Characteristic: Modified Equal Percent
Mounting: ANSI Flanged
Static Pressure Rating (max): 250 psi (1724 kPa)
Maximum Differential Pressure Ratings (Close-off): 175 psi (1206 kPa)
Actuator Ambient Temperature Ratings: -5 F to 140 F (-20 C to 60 C)
Temperature Range: -40 F to 250 F (-40 C to 121 C)
Number of Flange Bolts
For 2 in., 2-1/2 in., 3 in. valves: 4
For 4 in., 5 in., 6 in., 8 in. valves: 8
For 10 in., 12 in., 14 in. valves: 12
For 16 in., 18 in., 20 in. valves: 16
20 in. valves: 20
Flange Bolt Thread
For 2 in., 2-1/2 in., 3 in., 4 in. valves: 5/8 in. -11 pitch
For 5 in., 6 in., 8 in. valves: 3/4 in. -10 pitch
For 10 in., 12 in. valves: 7/8 in. -9 pitch
For 14 in., 16 in., 18 in., 20 in. valves: 1-1/8 in. -7 pitch
Materials
(Body): Polyester-coated cast iron ASTM A126 Class B
(Stem): 416 stainless steel
(Seat): Peroxide-cured EPDM resilient seat
(Plug/Ball/Disc): Nylon 11-coated ductile iron
Approvals:
CE: Compliant
Underwriters Laboratories, Inc. C/US UL873, Plenum Rated

Valves with Electric Actuator

Product Number	Valve Size		Capacity at 60 degrees stroke		Capacity at 90 degrees stroke		Actuator Selection	Type of Enclosure	Includes
	inch	DN	Cv	kvs	Cv	kvs			
VFF2FW1Y2A	2 in.	DN50	61 Cv	53 kvs	144 Cv	125 kvs	Non-Spring Return Floating control	NEMA 2 housing	—
VFF2FW1Y2B	2 in.	DN50	61 Cv	53 kvs	144 Cv	125 kvs	Non-Spring Return Modulating control	NEMA 2 housing	—
VFF2FW1Y2C	2 in.	DN50	61 Cv	53 kvs	144 Cv	125 kvs	Spring Return 2-Position, 24 Vac	NEMA 2 housing	—
VFF2FW1Y2D	2 in.	DN50	61 Cv	53 kvs	144 Cv	125 kvs	Spring Return Floating/Modulating control	NEMA 2 housing	—
VFF2FW1Y2E	2 in.	DN50	61 Cv	53 kvs	144 Cv	125 kvs	Spring Return 2-Position, 120 Vac	NEMA 2 housing	—
VFF2FW1YXA	2 in.	DN50	61 Cv	53 kvs	144 Cv	125 kvs	Non-Spring Return 120 Vac Floating control	NEMA 4X (Water tight, corrosion-proof) housing	Anti-condensation heater, manual gear wheel
VFF2FW1YXB	2 in.	DN50	61 Cv	53 kvs	144 Cv	125 kvs	Non-Spring Return Modulating control	NEMA 4X (Water tight, corrosion-proof) housing	Anti-condensation heater, manual gear wheel
VFF2GW1Y2A	2-1/2 in.	DN65	107 Cv	93 kvs	282 Cv	244 kvs	Non-Spring Return Floating control	NEMA 2 housing	—
VFF2GW1Y2B	2-1/2 in.	DN65	107 Cv	93 kvs	282 Cv	244 kvs	Non-Spring Return Modulating control	NEMA 2 housing	—
VFF2GW1Y2C	2-1/2 in.	DN65	107 Cv	93 kvs	282 Cv	244 kvs	Spring Return 2-Position, 24 Vac	NEMA 2 housing	—
VFF2GW1Y2D	2-1/2 in.	DN65	107 Cv	93 kvs	282 Cv	244 kvs	Spring Return Floating/Modulating control	NEMA 2 housing	—
VFF2GW1Y2E	2-1/2 in.	DN65	107 Cv	93 kvs	282 Cv	244 kvs	Spring Return 2-Position, 120 Vac	NEMA 2 housing	—
VFF2GW1YXA	2-1/2 in.	DN65	107 Cv	93 kvs	282 Cv	244 kvs	Non-Spring Return 120 Vac Floating control	NEMA 4X (Water tight, corrosion-proof) housing	Anti-condensation heater, manual gear wheel

Butterfly Valves

Product Number	Valve Size		Capacity at 60 degrees stroke		Capacity at 90 degrees stroke		Actuator Selection	Type of Enclosure	Includes
	inch	DN	Cv	kvs	Cv	kvs			
VFF2GW1YXB	2-1/2 in.	DN65	107 Cv	93 kvs	282 Cv	244 kvs	Non-Spring Return Modulating control	NEMA 4X (Water tight, corrosion-proof) housing	Anti-condensation heater, manual gear wheel
VFF2HW1Y2A	3 in.	DN80	154 Cv	133 kvs	461 Cv	399 kvs	Non-Spring Return Floating control	NEMA 2 housing	—
VFF2HW1Y2B	3 in.	DN80	154 Cv	133 kvs	461 Cv	399 kvs	Non-Spring Return Modulating control	NEMA 2 housing	—
VFF2HW1Y2C	3 in.	DN80	154 Cv	133 kvs	461 Cv	399 kvs	Spring Return 2-Position, 24 Vac	NEMA 2 housing	—
VFF2HW1Y2D	3 in.	DN80	154 Cv	133 kvs	461 Cv	399 kvs	Spring Return Floating/Modulating control	NEMA 2 housing	—
VFF2HW1Y2E	3 in.	DN80	154 Cv	133 kvs	461 Cv	399 kvs	Spring Return 2-Position, 120 Vac	NEMA 2 housing	—
VFF2HW1YXA	3 in.	DN80	154 Cv	133 kvs	461 Cv	399 kvs	Non-Spring Return 120 Vac Floating control	NEMA 4X (Water tight, corrosion-proof) housing	Anti-condensation heater, manual gear wheel
VFF2HW1YXB	3 in.	DN80	154 Cv	133 kvs	461 Cv	399 kvs	Non-Spring Return Modulating control	NEMA 4X (Water tight, corrosion-proof) housing	Anti-condensation heater, manual gear wheel
VFF2JV1Y2A	4 in.	DN100	274 Cv	237 kvs	841 Cv	727 kvs	Non-Spring Return Floating control	NEMA 2 housing	—
VFF2JV1Y2B	4 in.	DN100	274 Cv	237 kvs	841 Cv	727 kvs	Non-Spring Return Modulating control	NEMA 2 housing	—
VFF2JV1Y2C	4 in.	DN100	274 Cv	237 kvs	841 Cv	727 kvs	Spring Return 2-Position, 24 Vac	NEMA 2 housing	—
VFF2JV1Y2D	4 in.	DN100	274 Cv	237 kvs	841 Cv	727 kvs	Spring Return Floating/Modulating control	NEMA 2 housing	—
VFF2JV1Y2E	4 in.	DN100	274 Cv	237 kvs	841 Cv	727 kvs	Spring Return 2-Position, 120 Vac	NEMA 2 housing	—
VFF2JV1YXA	4 in.	DN100	274 Cv	237 kvs	841 Cv	727 kvs	Non-Spring Return 120 Vac Floating control	NEMA 4X (Water tight, corrosion-proof) housing	Anti-condensation heater, manual gear wheel
VFF2JV1YXB	4 in.	DN100	274 Cv	237 kvs	841 Cv	727 kvs	Non-Spring Return Modulating control	NEMA 4X (Water tight, corrosion-proof) housing	Anti-condensation heater, manual gear wheel
VFF2JW1Y2A	4 in.	DN100	274 Cv	237 kvs	841 Cv	727 kvs	Non-Spring Return Floating control	NEMA 2 housing	—
VFF2JW1Y2B	4 in.	DN100	274 Cv	237 kvs	841 Cv	727 kvs	Non-Spring Return Modulating control	NEMA 2 housing	—
VFF2JW1YXA	4 in.	DN100	274 Cv	237 kvs	841 Cv	727 kvs	Non-Spring Return 120 Vac Floating control	NEMA 4X (Water tight, corrosion-proof) housing	Anti-condensation heater, manual gear wheel
VFF2JW1YXB	4 in.	DN100	274 Cv	237 kvs	841 Cv	727 kvs	Non-Spring Return Modulating control	NEMA 4X (Water tight, corrosion-proof) housing	Anti-condensation heater, manual gear wheel
VFF2KV1Y2A	5 in.	DN125	428 Cv	370 kvs	1376 Cv	1190 kvs	Non-Spring Return Floating control	NEMA 2 housing	—
VFF2KV1Y2B	5 in.	DN125	428 Cv	370 kvs	1376 Cv	1190 kvs	Non-Spring Return Modulating control	NEMA 2 housing	—
VFF2KV1Y2C	5 in.	DN125	428 Cv	370 kvs	1376 Cv	1190 kvs	Spring Return 2-Position, 24 Vac	NEMA 2 housing	—
VFF2KV1Y2D	5 in.	DN125	428 Cv	370 kvs	1376 Cv	1190 kvs	Spring Return Floating/Modulating control	NEMA 2 housing	—
VFF2KV1Y2E	5 in.	DN125	428 Cv	370 kvs	1376 Cv	1190 kvs	Spring Return 2-Position, 120 Vac	NEMA 2 housing	—
VFF2KV1YXA	5 in.	DN125	428 Cv	370 kvs	1376 Cv	1190 kvs	Non-Spring Return 120 Vac Floating control	NEMA 4X (Water tight, corrosion-proof) housing	Anti-condensation heater, manual gear wheel
VFF2KV1YXB	5 in.	DN125	428 Cv	370 kvs	1376 Cv	1190 kvs	Non-Spring Return Modulating control	NEMA 4X (Water tight, corrosion-proof) housing	Anti-condensation heater, manual gear wheel
VFF2KW1Y2A	5 in.	DN125	428 Cv	370 kvs	1376 Cv	1190 kvs	Non-Spring Return Floating control	NEMA 2 housing	—

Butterfly Valves

Product Number	Valve Size		Capacity at 60 degrees stroke		Capacity at 90 degrees stroke		Actuator Selection	Type of Enclosure	Includes
	inch	DN	Cv	kvs	Cv	kvs			
VFF2KW1Y2B	5 in.	DN125	428 Cv	370 kvs	1376 Cv	1190 kvs	Non-Spring Return Modulating control	NEMA 2 housing	—
VFF2KW1YXA	5 in.	DN125	428 Cv	370 kvs	1376 Cv	1190 kvs	Non-Spring Return 120 Vac Floating control	NEMA 4X (Water tight, corrosion-proof) housing	Anti-condensation heater, manual gear wheel
VFF2KW1YXB	5 in.	DN125	428 Cv	370 kvs	1376 Cv	1190 kvs	Non-Spring Return Modulating control	NEMA 4X (Water tight, corrosion-proof) housing	Anti-condensation heater, manual gear wheel
VFF2LV1YXA	6 in.	DN150	567 Cv	490 kvs	1850 Cv	1600 kvs	Non-Spring Return 120 Vac Floating control	NEMA 4X (Water tight, corrosion-proof) housing	Anti-condensation heater, manual gear wheel
VFF2LV1YXB	6 in.	DN150	567 Cv	490 kvs	1850 Cv	1600 kvs	Non-Spring Return Modulating control	NEMA 4X (Water tight, corrosion-proof) housing	Anti-condensation heater, manual gear wheel
VFF2LW1Y2A	6 in.	DN150	567 Cv	490 kvs	1850 Cv	1600 kvs	Non-Spring Return Floating control	NEMA 2 housing	—
VFF2LW1Y2B	6 in.	DN150	567 Cv	490 kvs	1850 Cv	1600 kvs	Non-Spring Return Modulating control	NEMA 2 housing	—
VFF2LW1YXA	6 in.	DN150	567 Cv	490 kvs	1850 Cv	1600 kvs	Non-Spring Return 120 Vac Floating control	NEMA 4X (Water tight, corrosion-proof) housing	Anti-condensation heater, manual gear wheel
VFF2LW1YXB	6 in.	DN150	567 Cv	490 kvs	1850 Cv	1600 kvs	Non-Spring Return Modulating control	NEMA 4X (Water tight, corrosion-proof) housing	Anti-condensation heater, manual gear wheel
VFF2MV1Y2A	8 in.	DN200	1081 Cv	935 kvs	3316 Cv	2868 kvs	Non-Spring Return Floating control	NEMA 2 housing	—
VFF2MV1Y2B	8 in.	DN200	1081 Cv	935 kvs	3316 Cv	2868 kvs	Non-Spring Return Modulating control	NEMA 2 housing	—
VFF2MV1YXA	8 in.	DN200	1081 Cv	935 kvs	3316 Cv	2868 kvs	Non-Spring Return 120 Vac Floating control	NEMA 4X (Water tight, corrosion-proof) housing	Anti-condensation heater, manual gear wheel
VFF2MV1YXB	8 in.	DN200	1081 Cv	935 kvs	3316 Cv	2868 kvs	Non-Spring Return Modulating control	NEMA 4X (Water tight, corrosion-proof) housing	Anti-condensation heater, manual gear wheel
VFF2MW1YXA	8 in.	DN200	1081 Cv	935 kvs	3316 Cv	2868 kvs	Non-Spring Return 120 Vac Floating control	NEMA 4X (Water tight, corrosion-proof) housing	Anti-condensation heater, manual gear wheel
VFF2MW1YXB	8 in.	DN200	1081 Cv	935 kvs	3316 Cv	2868 kvs	Non-Spring Return Modulating control	NEMA 4X (Water tight, corrosion-proof) housing	Anti-condensation heater, manual gear wheel
VFF2NV1YXA	10 in.	DN250	1710 Cv	1479 kvs	5430 Cv	4697 kvs	Non-Spring Return 120 Vac Floating control	NEMA 4X (Water tight, corrosion-proof) housing	Anti-condensation heater, manual gear wheel
VFF2NV1YXB	10 in.	DN250	1710 Cv	1479 kvs	5430 Cv	4697 kvs	Non-Spring Return Modulating control	NEMA 4X (Water tight, corrosion-proof) housing	Anti-condensation heater, manual gear wheel
VFF2NW1YXA	10 in.	DN250	1710 Cv	1479 kvs	5430 Cv	4697 kvs	Non-Spring Return 120 Vac Floating control	NEMA 4X (Water tight, corrosion-proof) housing	Anti-condensation heater, manual gear wheel
VFF2NW1YXB	10 in.	DN250	1710 Cv	1479 kvs	5430 Cv	4697 kvs	Non-Spring Return Modulating control	NEMA 4X (Water tight, corrosion-proof) housing	Anti-condensation heater, manual gear wheel
VFF2PV1YXA	12 in.	DN300	2563 Cv	2217 kvs	8077 Cv	6987 kvs	Non-Spring Return 120 Vac Floating control	NEMA 4X (Water tight, corrosion-proof) housing	Anti-condensation heater, manual gear wheel
VFF2PV1YXB	12 in.	DN300	2563 Cv	2217 kvs	8077 Cv	6987 kvs	Non-Spring Return Modulating control	NEMA 4X (Water tight, corrosion-proof) housing	Anti-condensation heater, manual gear wheel
VFF2PW1YXA	12 in.	DN300	2563 Cv	2217 kvs	8077 Cv	6987 kvs	Non-Spring Return 120 Vac Floating control	NEMA 4X (Water tight, corrosion-proof) housing	Anti-condensation heater, manual gear wheel
VFF2PW1YXB	12 in.	DN300	2563 Cv	2217 kvs	8077 Cv	6987 kvs	Non-Spring Return Modulating control	NEMA 4X (Water tight, corrosion-proof) housing	Anti-condensation heater, manual gear wheel

Butterfly Valves

Product Number	Valve Size		Capacity at 60 degrees stroke		Capacity at 90 degrees stroke		Actuator Selection	Type of Enclosure	Includes
	inch	DN	Cv	k _{VS}	Cv	k _{VS}			
VFF2RV1YXA	14 in.	DN350	3384 Cv	2927 k _{VS}	10538 Cv	9115 k _{VS}	Non-Spring Return 120 Vac Floating control	NEMA 4X (Water tight, corrosion-proof) housing	Anti-condensation heater, manual gear wheel
VFF2RV1YXB	14 in.	DN350	3384 Cv	2927 k _{VS}	10538 Cv	9115 k _{VS}	Non-Spring Return Modulating control	NEMA 4X (Water tight, corrosion-proof) housing	Anti-condensation heater, manual gear wheel
VFF2RW1YXA	14 in.	DN350	3384 Cv	2927 k _{VS}	10538 Cv	9115 k _{VS}	Non-Spring Return 120 Vac Floating control	NEMA 4X (Water tight, corrosion-proof) housing	Anti-condensation heater, manual gear wheel
VFF2RW1YXB	14 in.	DN350	3384 Cv	2927 k _{VS}	10538 Cv	9115 k _{VS}	Non-Spring Return Modulating control	NEMA 4X (Water tight, corrosion-proof) housing	Anti-condensation heater, manual gear wheel
VFF2SV1YXA	16 in.	DN400	4483 Cv	3878 k _{VS}	13966 Cv	12081 k _{VS}	Non-Spring Return 120 Vac Floating control	NEMA 4X (Water tight, corrosion-proof) housing	Anti-condensation heater, manual gear wheel
VFF2SV1YXB	16 in.	DN400	4483 Cv	3878 k _{VS}	13966 Cv	12081 k _{VS}	Non-Spring Return Modulating control	NEMA 4X (Water tight, corrosion-proof) housing	Anti-condensation heater, manual gear wheel
VFF2SW1Y4A	16 in.	DN400	4483 Cv	3878 k _{VS}	13966 Cv	12081 k _{VS}	Non-Spring Return 120 Vac Floating control	NEMA 4 (Water tight) housing	Anti-condensation heater, manual gear wheel
VFF2SW1Y4B	16 in.	DN400	4483 Cv	3878 k _{VS}	13966 Cv	12081 k _{VS}	Non-Spring Return 20 mA Modulating control	NEMA 4 (Water tight) housing	Anti-condensation heater, manual gear wheel
VFF2TV1YXA	18 in.	DN450	5736 Cv	4962 k _{VS}	17214 Cv	14890 k _{VS}	Non-Spring Return 120 Vac Floating control	NEMA 4X (Water tight, corrosion-proof) housing	Anti-condensation heater, manual gear wheel
VFF2TV1YXB	18 in.	DN450	5736 Cv	4962 k _{VS}	17214 Cv	14890 k _{VS}	Non-Spring Return Modulating control	NEMA 4X (Water tight, corrosion-proof) housing	Anti-condensation heater, manual gear wheel
VFF2TW1Y4A	18 in.	DN450	5736 Cv	4962 k _{VS}	17214 Cv	14890 k _{VS}	Non-Spring Return 120 Vac Floating control	NEMA 4 (Water tight) housing	Anti-condensation heater, manual gear wheel
VFF2TW1Y4B	18 in.	DN450	5736 Cv	4962 k _{VS}	17214 Cv	14890 k _{VS}	Non-Spring Return 20 mA Modulating control	NEMA 4 (Water tight) housing	Anti-condensation heater, manual gear wheel
VFF2UV1Y4A	20 in.	DN500	7144 Cv	6180 k _{VS}	22339 Cv	19323 k _{VS}	Non-Spring Return 120 Vac Floating control	NEMA 4 (Water tight) housing	Anti-condensation heater, manual gear wheel
VFF2UV1Y4B	20 in.	DN500	7144 Cv	6180 k _{VS}	22339 Cv	19323 k _{VS}	Non-Spring Return 20 mA Modulating control	NEMA 4 (Water tight) housing	Anti-condensation heater, manual gear wheel
VFF2UW1Y4A	20 in.	DN500	7144 Cv	6180 k _{VS}	22339 Cv	19323 k _{VS}	Non-Spring Return 120 Vac Floating control	NEMA 4 (Water tight) housing	Anti-condensation heater, manual gear wheel
VFF2UW1Y4B	20 in.	DN500	7144 Cv	6180 k _{VS}	22339 Cv	19323 k _{VS}	Non-Spring Return 20 mA Modulating control	NEMA 4 (Water tight) housing	Anti-condensation heater, manual gear wheel

Valves with Pneumatic Actuator

Type of Enclosure: Pneumatic

Product Number	Valve Size		Capacity at 60 degrees stroke		Capacity at 90 degrees stroke		Actuator Selection	Comments	Includes
	inch	DN	Cv	k _{VS}	Cv	k _{VS}			
VFF2FW1Y8P	2 in.	DN50	61 Cv	53 k _{VS}	Stroke limited to 70 degrees		20 psi spring return	Linear actuator	—
VFF2FW1YCR	2 in.	DN50	61 Cv	53 k _{VS}	144 Cv	125 k _{VS}	2-position, 24 Vac solenoid 80 psi bidirectional	—	Position indicator
VFF2FW1YCS	2 in.	DN50	61 Cv	53 k _{VS}	144 Cv	125 k _{VS}	2-position, 24 Vac solenoid 80 psi spring return	—	Position indicator
VFF2FW1YDR	2 in.	DN50	61 Cv	53 k _{VS}	144 Cv	125 k _{VS}	4-20 mA Servo 80 psi bidirectional	—	Position indicator
VFF2FW1YDS	2 in.	DN50	61 Cv	53 k _{VS}	144 Cv	125 k _{VS}	4-20 mA Servo, 80 psi spring return	—	Position indicator

Butterfly Valves

Product Number	Valve Size		Capacity at 60 degrees stroke		Capacity at 90 degrees stroke		Actuator Selection	Comments	Includes
	inch	DN	Cv	k _{VS}	Cv	k _{VS}			
VFF2FW1YER	2 in.	DN50	61 Cv	53 k _{VS}	144 Cv	125 k _{VS}	2-position, 120 Vac solenoid 80 psi bidirectional	—	Position indicator
VFF2FW1YES	2 in.	DN50	61 Cv	53 k _{VS}	144 Cv	125 k _{VS}	2-position, 120 Vac solenoid 80 psi spring return	—	Position indicator
VFF2FW1YPP	2 in.	DN50	61 Cv	53 k _{VS}	Stroke limited to 70 degrees		Modulating w/positioner, spring return	Linear actuator	—
VFF2FW1YPR	2 in.	DN50	61 Cv	53 k _{VS}	144 Cv	125 k _{VS}	Modulating w/positioner, bidirectional	—	Position indicator
VFF2FW1YPS	2 in.	DN50	61 Cv	53 k _{VS}	144 Cv	125 k _{VS}	Modulating w/positioner, spring return	—	Position indicator
VFF2FW1YXR	2 in.	DN50	61 Cv	53 k _{VS}	144 Cv	125 k _{VS}	2-position 80 psi bidirectional	—	Position indicator
VFF2FW1YXS	2 in.	DN50	61 Cv	53 k _{VS}	144 Cv	125 k _{VS}	2-position, 80 psi spring return	—	Position indicator
VFF2GW1Y8P	2-1/2 in.	DN65	107 Cv	93 k _{VS}	Stroke limited to 70 degrees		20 psi spring return	Linear actuator	—
VFF2GW1YCR	2-1/2 in.	DN65	107 Cv	93 k _{VS}	282 Cv	244 k _{VS}	2-position, 24 Vac solenoid 80 psi bidirectional	—	Position indicator
VFF2GW1YCS	2-1/2 in.	DN65	107 Cv	93 k _{VS}	282 Cv	244 k _{VS}	2-position, 24 Vac solenoid 80 psi spring return	—	Position indicator
VFF2GW1YDR	2-1/2 in.	DN65	107 Cv	93 k _{VS}	282 Cv	244 k _{VS}	4-20 mA Servo 80 psi bidirectional	—	Position indicator
VFF2GW1YDS	2-1/2 in.	DN65	107 Cv	93 k _{VS}	282 Cv	244 k _{VS}	4-20 mA Servo, 80 psi spring return	—	Position indicator
VFF2GW1YER	2-1/2 in.	DN65	107 Cv	93 k _{VS}	282 Cv	244 k _{VS}	2-position, 120 Vac solenoid 80 psi bidirectional	—	Position indicator
VFF2GW1YES	2-1/2 in.	DN65	107 Cv	93 k _{VS}	282 Cv	244 k _{VS}	2-position, 120 Vac solenoid 80 psi spring return	—	Position indicator
VFF2GW1YPP	2-1/2 in.	DN65	107 Cv	93 k _{VS}	Stroke limited to 70 degrees		Modulating w/positioner, spring return	Linear actuator	—
VFF2GW1YPR	2-1/2 in.	DN65	107 Cv	93 k _{VS}	282 Cv	244 k _{VS}	Modulating w/positioner, bidirectional	—	Position indicator
VFF2GW1YPS	2-1/2 in.	DN65	107 Cv	93 k _{VS}	282 Cv	244 k _{VS}	Modulating w/positioner, spring return	—	Position indicator
VFF2GW1YXR	2-1/2 in.	DN65	107 Cv	93 k _{VS}	282 Cv	244 k _{VS}	2-position 80 psi bidirectional	—	Position indicator
VFF2GW1YXS	2-1/2 in.	DN65	107 Cv	93 k _{VS}	282 Cv	244 k _{VS}	2-position, 80 psi spring return	—	Position indicator
VFF2HW1Y8P	3 in.	DN80	154 Cv	133 k _{VS}	Stroke limited to 70 degrees		20 psi spring return	Linear actuator	—
VFF2HW1YCR	3 in.	DN80	154 Cv	133 k _{VS}	461 Cv	399 k _{VS}	2-position, 24 Vac solenoid 80 psi bidirectional	—	Position indicator
VFF2HW1YCS	3 in.	DN80	154 Cv	133 k _{VS}	461 Cv	399 k _{VS}	2-position, 24 Vac solenoid 80 psi spring return	—	Position indicator
VFF2HW1YDR	3 in.	DN80	154 Cv	133 k _{VS}	461 Cv	399 k _{VS}	4-20 mA Servo 80 psi bidirectional	—	Position indicator
VFF2HW1YDS	3 in.	DN80	154 Cv	133 k _{VS}	461 Cv	399 k _{VS}	4-20 mA Servo, 80 psi spring return	—	Position indicator
VFF2HW1YER	3 in.	DN80	154 Cv	133 k _{VS}	461 Cv	399 k _{VS}	2-position, 120 Vac solenoid 80 psi bidirectional	—	Position indicator
VFF2HW1YES	3 in.	DN80	154 Cv	133 k _{VS}	461 Cv	399 k _{VS}	2-position, 120 Vac solenoid 80 psi spring return	—	Position indicator
VFF2HW1YPP	3 in.	DN80	154 Cv	133 k _{VS}	Stroke limited to 70 degrees		Modulating w/positioner, spring return	Linear actuator	—
VFF2HW1YPR	3 in.	DN80	154 Cv	133 k _{VS}	461 Cv	399 k _{VS}	Modulating w/positioner, bidirectional	—	Position indicator
VFF2HW1YPS	3 in.	DN80	154 Cv	133 k _{VS}	461 Cv	399 k _{VS}	Modulating w/positioner, spring return	—	Position indicator
VFF2HW1YXR	3 in.	DN80	154 Cv	133 k _{VS}	461 Cv	399 k _{VS}	2-position 80 psi bidirectional	—	Position indicator
VFF2HW1YXS	3 in.	DN80	154 Cv	133 k _{VS}	461 Cv	399 k _{VS}	2-position, 80 psi spring return	—	Position indicator
VFF2JV1Y8P	4 in.	DN100	274 Cv	237 k _{VS}	Stroke limited to 70 degrees		20 psi spring return	Linear actuator	—

Butterfly Valves

Product Number	Valve Size		Capacity at 60 degrees stroke		Capacity at 90 degrees stroke		Actuator Selection	Comments	Includes
	inch	DN	Cv	k _{VS}	Cv	k _{VS}			
VFF2JV1YCR	4 in.	DN100	274 Cv	237 k _{VS}	841 Cv	727 k _{VS}	2-position, 24 Vac solenoid 80 psi bidirectional	—	Position indicator
VFF2JV1YCS	4 in.	DN100	274 Cv	237 k _{VS}	841 Cv	727 k _{VS}	2-position, 24 Vac solenoid 80 psi spring return	—	Position indicator
VFF2JV1YDR	4 in.	DN100	274 Cv	237 k _{VS}	841 Cv	727 k _{VS}	4-20 mA Servo 80 psi bidirectional	—	Position indicator
VFF2JV1YDS	4 in.	DN100	274 Cv	237 k _{VS}	841 Cv	727 k _{VS}	4-20 mA Servo, 80 psi spring return	—	Position indicator
VFF2JV1YER	4 in.	DN100	274 Cv	237 k _{VS}	841 Cv	727 k _{VS}	2-position, 120 Vac solenoid 80 psi bidirectional	—	Position indicator
VFF2JV1YES	4 in.	DN100	274 Cv	237 k _{VS}	841 Cv	727 k _{VS}	2-position, 120 Vac solenoid 80 psi spring return	—	Position indicator
VFF2JV1YPP	4 in.	DN100	274 Cv	237 k _{VS}	Stroke limited to 70 degrees		Modulating w/positioner, spring return	Linear actuator	—
VFF2JV1YPR	4 in.	DN100	274 Cv	237 k _{VS}	841 Cv	727 k _{VS}	Modulating w/positioner, bidirectional	—	Position indicator
VFF2JV1YPS	4 in.	DN100	274 Cv	237 k _{VS}	841 Cv	727 k _{VS}	Modulating w/positioner, spring return	—	Position indicator
VFF2JV1YXR	4 in.	DN100	274 Cv	237 k _{VS}	841 Cv	727 k _{VS}	2-position 80 psi bidirectional	—	Position indicator
VFF2JV1YXS	4 in.	DN100	274 Cv	237 k _{VS}	841 Cv	727 k _{VS}	2-position, 80 psi spring return	—	Position indicator
VFF2JW1Y8P	4 in.	DN100	274 Cv	237 k _{VS}	Stroke limited to 70 degrees		20 psi spring return	Linear actuator	—
VFF2JW1YCR	4 in.	DN100	274 Cv	237 k _{VS}	841 Cv	727 k _{VS}	2-position, 24 Vac solenoid 80 psi bidirectional	—	Position indicator
VFF2JW1YCS	4 in.	DN100	274 Cv	237 k _{VS}	841 Cv	727 k _{VS}	2-position, 24 Vac solenoid 80 psi spring return	—	Position indicator
VFF2JW1YDR	4 in.	DN100	274 Cv	237 k _{VS}	841 Cv	727 k _{VS}	4-20 mA Servo 80 psi bidirectional	—	Position indicator
VFF2JW1YDS	4 in.	DN100	274 Cv	237 k _{VS}	841 Cv	727 k _{VS}	4-20 mA Servo, 80 psi spring return	—	Position indicator
VFF2JW1YER	4 in.	DN100	274 Cv	237 k _{VS}	841 Cv	727 k _{VS}	2-position, 120 Vac solenoid 80 psi bidirectional	—	Position indicator
VFF2JW1YES	4 in.	DN100	274 Cv	237 k _{VS}	841 Cv	727 k _{VS}	2-position, 120 Vac solenoid 80 psi spring return	—	Position indicator
VFF2JW1YPP	4 in.	DN100	274 Cv	237 k _{VS}	Stroke limited to 70 degrees		Modulating w/positioner, spring return	Linear actuator	—
VFF2JW1YPR	4 in.	DN100	274 Cv	237 k _{VS}	841 Cv	727 k _{VS}	Modulating w/positioner, bidirectional	—	Position indicator
VFF2JW1YPS	4 in.	DN100	274 Cv	237 k _{VS}	841 Cv	727 k _{VS}	Modulating w/positioner, spring return	—	Position indicator
VFF2JW1YXR	4 in.	DN100	274 Cv	237 k _{VS}	841 Cv	727 k _{VS}	2-position 80 psi bidirectional	—	Position indicator
VFF2JW1YXS	4 in.	DN100	274 Cv	237 k _{VS}	841 Cv	727 k _{VS}	2-position, 80 psi spring return	—	Position indicator
VFF2KV1Y8P	5 in.	DN125	428 Cv	370 k _{VS}	Stroke limited to 70 degrees		20 psi spring return	Linear actuator	—
VFF2KV1YCR	5 in.	DN125	428 Cv	370 k _{VS}	1376 Cv	1190 k _{VS}	2-position, 24 Vac solenoid 80 psi bidirectional	—	Position indicator
VFF2KV1YCS	5 in.	DN125	428 Cv	370 k _{VS}	1376 Cv	1190 k _{VS}	2-position, 24 Vac solenoid 80 psi spring return	—	Position indicator
VFF2KV1YDR	5 in.	DN125	428 Cv	370 k _{VS}	1376 Cv	1190 k _{VS}	4-20 mA Servo 80 psi bidirectional	—	Position indicator
VFF2KV1YDS	5 in.	DN125	428 Cv	370 k _{VS}	1376 Cv	1190 k _{VS}	4-20 mA Servo, 80 psi spring return	—	Position indicator
VFF2KV1YER	5 in.	DN125	428 Cv	370 k _{VS}	1376 Cv	1190 k _{VS}	2-position, 120 Vac solenoid 80 psi bidirectional	—	Position indicator
VFF2KV1YES	5 in.	DN125	428 Cv	370 k _{VS}	1376 Cv	1190 k _{VS}	2-position, 120 Vac solenoid 80 psi spring return	—	Position indicator
VFF2KV1YPP	5 in.	DN125	428 Cv	370 k _{VS}	Stroke limited to 70 degrees		Modulating w/positioner, spring return	Linear actuator	—

Butterfly Valves

Product Number	Valve Size		Capacity at 60 degrees stroke		Capacity at 90 degrees stroke		Actuator Selection	Comments	Includes
	inch	DN	Cv	kvs	Cv	kvs			
VFF2KV1YPR	5 in.	DN125	428 Cv	370 kvs	1376 Cv	1190 kvs	Modulating w/positioner, bidirectional	—	Position indicator
VFF2KV1YPS	5 in.	DN125	428 Cv	370 kvs	1376 Cv	1190 kvs	Modulating w/positioner, spring return	—	Position indicator
VFF2KV1YXR	5 in.	DN125	428 Cv	370 kvs	1376 Cv	1190 kvs	2-position 80 psi bidirectional	—	Position indicator
VFF2KV1YXS	5 in.	DN125	428 Cv	370 kvs	1376 Cv	1190 kvs	2-position, 80 psi spring return	—	Position indicator
VFF2KW1Y8P	5 in.	DN125	428 Cv	370 kvs	Stroke limited to 70 degrees		20 psi spring return	Linear actuator	—
VFF2KW1YCR	5 in.	DN125	428 Cv	370 kvs	1376 Cv	1190 kvs	2-position, 24 Vac solenoid 80 psi bidirectional	—	Position indicator
VFF2KW1YCS	5 in.	DN125	428 Cv	370 kvs	1376 Cv	1190 kvs	2-position, 24 Vac solenoid 80 psi spring return	—	Position indicator
VFF2KW1YDR	5 in.	DN125	428 Cv	370 kvs	1376 Cv	1190 kvs	4-20 mA Servo 80 psi bidirectional	—	Position indicator
VFF2KW1YDS	5 in.	DN125	428 Cv	370 kvs	1376 Cv	1190 kvs	4-20 mA Servo, 80 psi spring return	—	Position indicator
VFF2KW1YER	5 in.	DN125	428 Cv	370 kvs	1376 Cv	1190 kvs	2-position, 120 Vac solenoid 80 psi bidirectional	—	Position indicator
VFF2KW1YES	5 in.	DN125	428 Cv	370 kvs	1376 Cv	1190 kvs	2-position, 120 Vac solenoid 80 psi spring return	—	Position indicator
VFF2KW1YPP	5 in.	DN125	428 Cv	370 kvs	Stroke limited to 70 degrees		Modulating w/positioner, spring return	Linear actuator	—
VFF2KW1YPR	5 in.	DN125	428 Cv	370 kvs	1376 Cv	1190 kvs	Modulating w/positioner, bidirectional	—	Position indicator
VFF2KW1YPS	5 in.	DN125	428 Cv	370 kvs	1376 Cv	1190 kvs	Modulating w/positioner, spring return	—	Position indicator
VFF2KW1YXR	5 in.	DN125	428 Cv	370 kvs	1376 Cv	1190 kvs	2-position 80 psi bidirectional	—	Position indicator
VFF2KW1YXS	5 in.	DN125	428 Cv	370 kvs	1376 Cv	1190 kvs	2-position, 80 psi spring return	—	Position indicator
VFF2LV1YCR	6 in.	DN150	567 Cv	490 kvs	1850 Cv	1600 kvs	2-position, 24 Vac solenoid 80 psi bidirectional	—	Position indicator
VFF2LV1YCS	6 in.	DN150	567 Cv	490 kvs	1850 Cv	1600 kvs	2-position, 24 Vac solenoid 80 psi spring return	—	Position indicator
VFF2LV1YDR	6 in.	DN150	567 Cv	490 kvs	1850 Cv	1600 kvs	4-20 mA Servo 80 psi bidirectional	—	Position indicator
VFF2LV1YDS	6 in.	DN150	567 Cv	490 kvs	1850 Cv	1600 kvs	4-20 mA Servo, 80 psi spring return	—	Position indicator
VFF2LV1YER	6 in.	DN150	567 Cv	490 kvs	1850 Cv	1600 kvs	2-position, 120 Vac solenoid 80 psi bidirectional	—	Position indicator
VFF2LV1YES	6 in.	DN150	567 Cv	490 kvs	1850 Cv	1600 kvs	2-position, 120 Vac solenoid 80 psi spring return	—	Position indicator
VFF2LV1YPR	6 in.	DN150	567 Cv	490 kvs	1850 Cv	1600 kvs	Modulating w/positioner, bidirectional	—	Position indicator
VFF2LV1YPS	6 in.	DN150	567 Cv	490 kvs	1850 Cv	1600 kvs	Modulating w/positioner, spring return	—	Position indicator
VFF2LV1YXR	6 in.	DN150	567 Cv	490 kvs	1850 Cv	1600 kvs	2-position 80 psi bidirectional	—	Position indicator
VFF2LV1YXS	6 in.	DN150	567 Cv	490 kvs	1850 Cv	1600 kvs	2-position, 80 psi spring return	—	Position indicator
VFF2LW1Y8P	6 in.	DN150	567 Cv	490 kvs	Stroke limited to 70 degrees		20 psi spring return	Linear actuator	—
VFF2LW1YCR	6 in.	DN150	567 Cv	490 kvs	1850 Cv	1600 kvs	2-position, 24 Vac solenoid 80 psi bidirectional	—	Position indicator
VFF2LW1YCS	6 in.	DN150	567 Cv	490 kvs	1850 Cv	1600 kvs	2-position, 24 Vac solenoid 80 psi spring return	—	Position indicator
VFF2LW1YDR	6 in.	DN150	567 Cv	490 kvs	1850 Cv	1600 kvs	4-20 mA Servo 80 psi bidirectional	—	Position indicator
VFF2LW1YDS	6 in.	DN150	567 Cv	490 kvs	1850 Cv	1600 kvs	4-20 mA Servo, 80 psi spring return	—	Position indicator
VFF2LW1YER	6 in.	DN150	567 Cv	490 kvs	1850 Cv	1600 kvs	2-position, 120 Vac solenoid 80 psi bidirectional	—	Position indicator

Butterfly Valves

Product Number	Valve Size		Capacity at 60 degrees stroke		Capacity at 90 degrees stroke		Actuator Selection	Comments	Includes
	inch	DN	Cv	kvs	Cv	kvs			
VFF2LW1YES	6 in.	DN150	567 Cv	490 k _{VS}	1850 Cv	1600 k _{VS}	2-position, 120 Vac solenoid 80 psi spring return	—	Position indicator
VFF2LW1YPP	6 in.	DN150	567 Cv	490 k _{VS}	Stroke limited to 70 degrees		Modulating w/positioner, spring return	Linear actuator	—
VFF2LW1YPR	6 in.	DN150	567 Cv	490 k _{VS}	1850 Cv	1600 k _{VS}	Modulating w/positioner, bidirectional	—	Position indicator
VFF2LW1YPS	6 in.	DN150	567 Cv	490 k _{VS}	1850 Cv	1600 k _{VS}	Modulating w/positioner, spring return	—	Position indicator
VFF2LW1YXR	6 in.	DN150	567 Cv	490 k _{VS}	1850 Cv	1600 k _{VS}	2-position 80 psi bidirectional	—	Position indicator
VFF2LW1YXS	6 in.	DN150	567 Cv	490 k _{VS}	1850 Cv	1600 k _{VS}	2-position, 80 psi spring return	—	Position indicator
VFF2MV1Y8P	8 in.	DN200	1081 Cv	935 k _{VS}	Stroke limited to 70 degrees		20 psi spring return	Linear actuator	—
VFF2MV1YCR	8 in.	DN200	1081 Cv	935 k _{VS}	3316 Cv	2868 k _{VS}	2-position, 24 Vac solenoid 80 psi bidirectional	—	Position indicator
VFF2MV1YCS	8 in.	DN200	1081 Cv	935 k _{VS}	3316 Cv	2868 k _{VS}	2-position, 24 Vac solenoid 80 psi spring return	—	Position indicator
VFF2MV1YDR	8 in.	DN200	1081 Cv	935 k _{VS}	3316 Cv	2868 k _{VS}	4-20 mA Servo 80 psi bidirectional	—	Position indicator
VFF2MV1YDS	8 in.	DN200	1081 Cv	935 k _{VS}	3316 Cv	2868 k _{VS}	4-20 mA Servo, 80 psi spring return	—	Position indicator
VFF2MV1YER	8 in.	DN200	1081 Cv	935 k _{VS}	3316 Cv	2868 k _{VS}	2-position, 120 Vac solenoid 80 psi bidirectional	—	Position indicator
VFF2MV1YES	8 in.	DN200	1081 Cv	935 k _{VS}	3316 Cv	2868 k _{VS}	2-position, 120 Vac solenoid 80 psi spring return	—	Position indicator
VFF2MV1YPP	8 in.	DN200	1081 Cv	935 k _{VS}	Stroke limited to 70 degrees		Modulating w/positioner, spring return	Linear actuator	—
VFF2MV1YPR	8 in.	DN200	1081 Cv	935 k _{VS}	3316 Cv	2868 k _{VS}	Modulating w/positioner, bidirectional	—	Position indicator
VFF2MV1YPS	8 in.	DN200	1081 Cv	935 k _{VS}	3316 Cv	2868 k _{VS}	Modulating w/positioner, spring return	—	Position indicator
VFF2MV1YXR	8 in.	DN200	1081 Cv	935 k _{VS}	3316 Cv	2868 k _{VS}	2-position 80 psi bidirectional	—	Position indicator
VFF2MV1YXS	8 in.	DN200	1081 Cv	935 k _{VS}	3316 Cv	2868 k _{VS}	2-position, 80 psi spring return	—	Position indicator
VFF2MW1Y8P	8 in.	DN200	1081 Cv	935 k _{VS}	Stroke limited to 70 degrees		20 psi spring return	Linear actuator	—
VFF2MW1YCR	8 in.	DN200	1081 Cv	935 k _{VS}	3316 Cv	2868 k _{VS}	2-position, 24 Vac solenoid 80 psi bidirectional	—	Position indicator
VFF2MW1YCS	8 in.	DN200	1081 Cv	935 k _{VS}	3316 Cv	2868 k _{VS}	2-position, 24 Vac solenoid 80 psi spring return	—	Position indicator
VFF2MW1YDR	8 in.	DN200	1081 Cv	935 k _{VS}	3316 Cv	2868 k _{VS}	4-20 mA Servo 80 psi bidirectional	—	Position indicator
VFF2MW1YDS	8 in.	DN200	1081 Cv	935 k _{VS}	3316 Cv	2868 k _{VS}	4-20 mA Servo, 80 psi spring return	—	Position indicator
VFF2MW1YER	8 in.	DN200	1081 Cv	935 k _{VS}	3316 Cv	2868 k _{VS}	2-position, 120 Vac solenoid 80 psi bidirectional	—	Position indicator
VFF2MW1YES	8 in.	DN200	1081 Cv	935 k _{VS}	3316 Cv	2868 k _{VS}	2-position, 120 Vac solenoid 80 psi spring return	—	Position indicator
VFF2MW1YPP	8 in.	DN200	1081 Cv	935 k _{VS}	Stroke limited to 70 degrees		Modulating w/positioner, spring return	Linear actuator	—
VFF2MW1YPR	8 in.	DN200	1081 Cv	935 k _{VS}	3316 Cv	2868 k _{VS}	Modulating w/positioner, bidirectional	—	Position indicator
VFF2MW1YPS	8 in.	DN200	1081 Cv	935 k _{VS}	3316 Cv	2868 k _{VS}	Modulating w/positioner, spring return	—	Position indicator
VFF2MW1YXR	8 in.	DN200	1081 Cv	935 k _{VS}	3316 Cv	2868 k _{VS}	2-position 80 psi bidirectional	—	Position indicator
VFF2MW1YXS	8 in.	DN200	1081 Cv	935 k _{VS}	3316 Cv	2868 k _{VS}	2-position, 80 psi spring return	—	Position indicator
VFF2NV1Y8P	10 in.	DN250	1710 Cv	1479 k _{VS}	Stroke limited to 70 degrees		20 psi spring return	Linear actuator	—
VFF2NV1YCR	10 in.	DN250	1710 Cv	1479 k _{VS}	5430 Cv	4697 k _{VS}	2-position, 24 Vac solenoid 80 psi bidirectional	—	Position indicator

Butterfly Valves

Product Number	Valve Size		Capacity at 60 degrees stroke		Capacity at 90 degrees stroke		Actuator Selection	Comments	Includes
	inch	DN	Cv	k _{VS}	Cv	k _{VS}			
VFF2NV1YCS	10 in.	DN250	1710 Cv	1479 k _{VS}	5430 Cv	4697 k _{VS}	2-position, 24 Vac solenoid 80 psi spring return	—	Position indicator
VFF2NV1YDR	10 in.	DN250	1710 Cv	1479 k _{VS}	5430 Cv	4697 k _{VS}	4-20 mA Servo 80 psi bidirectional	—	Position indicator
VFF2NV1YDS	10 in.	DN250	1710 Cv	1479 k _{VS}	5430 Cv	4697 k _{VS}	4-20 mA Servo, 80 psi spring return	—	Position indicator
VFF2NV1YER	10 in.	DN250	1710 Cv	1479 k _{VS}	5430 Cv	4697 k _{VS}	2-position, 120 Vac solenoid 80 psi bidirectional	—	Position indicator
VFF2NV1YES	10 in.	DN250	1710 Cv	1479 k _{VS}	5430 Cv	4697 k _{VS}	2-position, 120 Vac solenoid 80 psi spring return	—	Position indicator
VFF2NV1YPP	10 in.	DN250	1710 Cv	1479 k _{VS}	Stroke limited to 70 degrees		Modulating w/positioner, spring return	Linear actuator	—
VFF2NV1YPR	10 in.	DN250	1710 Cv	1479 k _{VS}	5430 Cv	4697 k _{VS}	Modulating w/positioner, bidirectional	—	Position indicator
VFF2NV1YPS	10 in.	DN250	1710 Cv	1479 k _{VS}	5430 Cv	4697 k _{VS}	Modulating w/positioner, spring return	—	Position indicator
VFF2NV1YXR	10 in.	DN250	1710 Cv	1479 k _{VS}	5430 Cv	4697 k _{VS}	2-position 80 psi bidirectional	—	Position indicator
VFF2NV1YXS	10 in.	DN250	1710 Cv	1479 k _{VS}	5430 Cv	4697 k _{VS}	2-position, 80 psi spring return	—	Position indicator
VFF2NW1YCR	10 in.	DN250	1710 Cv	1479 k _{VS}	5430 Cv	4697 k _{VS}	2-position, 24 Vac solenoid 80 psi bidirectional	—	Position indicator
VFF2NW1YCS	10 in.	DN250	1710 Cv	1479 k _{VS}	5430 Cv	4697 k _{VS}	2-position, 24 Vac solenoid 80 psi spring return	—	Position indicator
VFF2NW1YDR	10 in.	DN250	1710 Cv	1479 k _{VS}	5430 Cv	4697 k _{VS}	4-20 mA Servo 80 psi bidirectional	—	Position indicator
VFF2NW1YDS	10 in.	DN250	1710 Cv	1479 k _{VS}	5430 Cv	4697 k _{VS}	4-20 mA Servo, 80 psi spring return	—	Position indicator
VFF2NW1YER	10 in.	DN250	1710 Cv	1479 k _{VS}	5430 Cv	4697 k _{VS}	2-position, 120 Vac solenoid 80 psi bidirectional	—	Position indicator
VFF2NW1YES	10 in.	DN250	1710 Cv	1479 k _{VS}	5430 Cv	4697 k _{VS}	2-position, 120 Vac solenoid 80 psi spring return	—	Position indicator
VFF2NW1YPR	10 in.	DN250	1710 Cv	1479 k _{VS}	5430 Cv	4697 k _{VS}	Modulating w/positioner, bidirectional	—	Position indicator
VFF2NW1YPS	10 in.	DN250	1710 Cv	1479 k _{VS}	5430 Cv	4697 k _{VS}	Modulating w/positioner, spring return	—	Position indicator
VFF2NW1YXR	10 in.	DN250	1710 Cv	1479 k _{VS}	5430 Cv	4697 k _{VS}	2-position 80 psi bidirectional	—	Position indicator
VFF2NW1YXS	10 in.	DN250	1710 Cv	1479 k _{VS}	5430 Cv	4697 k _{VS}	2-position, 80 psi spring return	—	Position indicator
VFF2PV1YCR	12 in.	DN300	2563 Cv	2217 k _{VS}	8077 Cv	6987 k _{VS}	2-position, 24 Vac solenoid 80 psi bidirectional	—	Position indicator
VFF2PV1YCS	12 in.	DN300	2563 Cv	2217 k _{VS}	8077 Cv	6987 k _{VS}	2-position, 24 Vac solenoid 80 psi spring return	—	Position indicator
VFF2PV1YDR	12 in.	DN300	2563 Cv	2217 k _{VS}	8077 Cv	6987 k _{VS}	4-20 mA Servo 80 psi bidirectional	—	Position indicator
VFF2PV1YDS	12 in.	DN300	2563 Cv	2217 k _{VS}	8077 Cv	6987 k _{VS}	4-20 mA Servo, 80 psi spring return	—	Position indicator
VFF2PV1YER	12 in.	DN300	2563 Cv	2217 k _{VS}	8077 Cv	6987 k _{VS}	2-position, 120 Vac solenoid 80 psi bidirectional	—	Position indicator
VFF2PV1YES	12 in.	DN300	2563 Cv	2217 k _{VS}	8077 Cv	6987 k _{VS}	2-position, 120 Vac solenoid 80 psi spring return	—	Position indicator
VFF2PV1YPR	12 in.	DN300	2563 Cv	2217 k _{VS}	8077 Cv	6987 k _{VS}	Modulating w/positioner, bidirectional	—	Position indicator
VFF2PV1YPS	12 in.	DN300	2563 Cv	2217 k _{VS}	8077 Cv	6987 k _{VS}	Modulating w/positioner, spring return	—	Position indicator
VFF2PV1YXR	12 in.	DN300	2563 Cv	2217 k _{VS}	8077 Cv	6987 k _{VS}	2-position 80 psi bidirectional	—	Position indicator
VFF2PV1YXS	12 in.	DN300	2563 Cv	2217 k _{VS}	8077 Cv	6987 k _{VS}	2-position, 80 psi spring return	—	Position indicator
VFF2PW1YCR	12 in.	DN300	2563 Cv	2217 k _{VS}	8077 Cv	6987 k _{VS}	2-position, 24 Vac solenoid 80 psi bidirectional	—	Position indicator
VFF2PW1YCS	12 in.	DN300	2563 Cv	2217 k _{VS}	8077 Cv	6987 k _{VS}	2-position, 24 Vac solenoid 80 psi spring return	—	Position indicator

Butterfly Valves

Product Number	Valve Size		Capacity at 60 degrees stroke		Capacity at 90 degrees stroke		Actuator Selection	Comments	Includes
	inch	DN	Cv	kvs	Cv	kvs			
VFF2PW1YDR	12 in.	DN300	2563 Cv	2217 k _{VS}	8077 Cv	6987 k _{VS}	4-20 mA Servo 80 psi bidirectional	—	Position indicator
VFF2PW1YDS	12 in.	DN300	2563 Cv	2217 k _{VS}	8077 Cv	6987 k _{VS}	4-20 mA Servo, 80 psi spring return	—	Position indicator
VFF2PW1YER	12 in.	DN300	2563 Cv	2217 k _{VS}	8077 Cv	6987 k _{VS}	2-position, 120 Vac solenoid 80 psi bidirectional	—	Position indicator
VFF2PW1YES	12 in.	DN300	2563 Cv	2217 k _{VS}	8077 Cv	6987 k _{VS}	2-position, 120 Vac solenoid 80 psi spring return	—	Position indicator
VFF2PW1YPR	12 in.	DN300	2563 Cv	2217 k _{VS}	8077 Cv	6987 k _{VS}	Modulating w/positioner, bidirectional	—	Position indicator
VFF2PW1YPS	12 in.	DN300	2563 Cv	2217 k _{VS}	8077 Cv	6987 k _{VS}	Modulating w/positioner, spring return	—	Position indicator
VFF2PW1YXR	12 in.	DN300	2563 Cv	2217 k _{VS}	8077 Cv	6987 k _{VS}	2-position 80 psi bidirectional	—	Position indicator
VFF2PW1YXS	12 in.	DN300	2563 Cv	2217 k _{VS}	8077 Cv	6987 k _{VS}	2-position, 80 psi spring return	—	Position indicator
VFF2RV1YCR	14 in.	DN350	3384 Cv	2927 k _{VS}	10538 Cv	9115 k _{VS}	2-position, 24 Vac solenoid 80 psi bidirectional	—	Position indicator
VFF2RV1YCS	14 in.	DN350	3384 Cv	2927 k _{VS}	10538 Cv	9115 k _{VS}	2-position, 24 Vac solenoid 80 psi spring return	—	Position indicator
VFF2RV1YDR	14 in.	DN350	3384 Cv	2927 k _{VS}	10538 Cv	9115 k _{VS}	4-20 mA Servo 80 psi bidirectional	—	Position indicator
VFF2RV1YDS	14 in.	DN350	3384 Cv	2927 k _{VS}	10538 Cv	9115 k _{VS}	4-20 mA Servo, 80 psi spring return	—	Position indicator
VFF2RV1YER	14 in.	DN350	3384 Cv	2927 k _{VS}	10538 Cv	9115 k _{VS}	2-position, 120 Vac solenoid 80 psi bidirectional	—	Position indicator
VFF2RV1YES	14 in.	DN350	3384 Cv	2927 k _{VS}	10538 Cv	9115 k _{VS}	2-position, 120 Vac solenoid 80 psi spring return	—	Position indicator
VFF2RV1YPR	14 in.	DN350	3384 Cv	2927 k _{VS}	10538 Cv	9115 k _{VS}	Modulating w/positioner, bidirectional	—	Position indicator
VFF2RV1YPS	14 in.	DN350	3384 Cv	2927 k _{VS}	10538 Cv	9115 k _{VS}	Modulating w/positioner, spring return	—	Position indicator
VFF2RV1YXR	14 in.	DN350	3384 Cv	2927 k _{VS}	10538 Cv	9115 k _{VS}	2-position 80 psi bidirectional	—	Position indicator
VFF2RV1YXS	14 in.	DN350	3384 Cv	2927 k _{VS}	10538 Cv	9115 k _{VS}	2-position, 80 psi spring return	—	Position indicator
VFF2RW1YCR	14 in.	DN350	3384 Cv	2927 k _{VS}	10538 Cv	9115 k _{VS}	2-position, 24 Vac solenoid 80 psi bidirectional	—	Position indicator
VFF2RW1YCS	14 in.	DN350	3384 Cv	2927 k _{VS}	10538 Cv	9115 k _{VS}	2-position, 24 Vac solenoid 80 psi spring return	—	Position indicator
VFF2RW1YDR	14 in.	DN350	3384 Cv	2927 k _{VS}	10538 Cv	9115 k _{VS}	4-20 mA Servo 80 psi bidirectional	—	Position indicator
VFF2RW1YDS	14 in.	DN350	3384 Cv	2927 k _{VS}	10538 Cv	9115 k _{VS}	4-20 mA Servo, 80 psi spring return	—	Position indicator
VFF2RW1YER	14 in.	DN350	3384 Cv	2927 k _{VS}	10538 Cv	9115 k _{VS}	2-position, 120 Vac solenoid 80 psi bidirectional	—	Position indicator
VFF2RW1YES	14 in.	DN350	3384 Cv	2927 k _{VS}	10538 Cv	9115 k _{VS}	2-position, 120 Vac solenoid 80 psi spring return	—	Position indicator
VFF2RW1YPR	14 in.	DN350	3384 Cv	2927 k _{VS}	10538 Cv	9115 k _{VS}	Modulating w/positioner, bidirectional	—	Position indicator
VFF2RW1YPS	14 in.	DN350	3384 Cv	2927 k _{VS}	10538 Cv	9115 k _{VS}	Modulating w/positioner, spring return	—	Position indicator
VFF2RW1YXR	14 in.	DN350	3384 Cv	2927 k _{VS}	10538 Cv	9115 k _{VS}	2-position 80 psi bidirectional	—	Position indicator
VFF2RW1YXS	14 in.	DN350	3384 Cv	2927 k _{VS}	10538 Cv	9115 k _{VS}	2-position, 80 psi spring return	—	Position indicator
VFF2SV1YCR	16 in.	DN400	4483 Cv	3878 k _{VS}	13966 Cv	12081 k _{VS}	2-position, 24 Vac solenoid 80 psi bidirectional	—	Position indicator
VFF2SV1YCS	16 in.	DN400	4483 Cv	3878 k _{VS}	13966 Cv	12081 k _{VS}	2-position, 24 Vac solenoid 80 psi spring return	—	Position indicator
VFF2SV1YDR	16 in.	DN400	4483 Cv	3878 k _{VS}	13966 Cv	12081 k _{VS}	4-20 mA Servo 80 psi bidirectional	—	Position indicator
VFF2SV1YDS	16 in.	DN400	4483 Cv	3878 k _{VS}	13966 Cv	12081 k _{VS}	4-20 mA Servo, 80 psi spring return	—	Position indicator

Butterfly Valves

Product Number	Valve Size		Capacity at 60 degrees stroke		Capacity at 90 degrees stroke		Actuator Selection	Comments	Includes
	inch	DN	Cv	kvs	Cv	kvs			
VFF2SV1YER	16 in.	DN400	4483 Cv	3878 kvs	13966 Cv	12081 kvs	2-position, 120 Vac solenoid 80 psi bidirectional	—	Position indicator
VFF2SV1YES	16 in.	DN400	4483 Cv	3878 kvs	13966 Cv	12081 kvs	2-position, 120 Vac solenoid 80 psi spring return	—	Position indicator
VFF2SV1YPR	16 in.	DN400	4483 Cv	3878 kvs	13966 Cv	12081 kvs	Modulating w/positioner, bidirectional	—	Position indicator
VFF2SV1YPS	16 in.	DN400	4483 Cv	3878 kvs	13966 Cv	12081 kvs	Modulating w/positioner, spring return	—	Position indicator
VFF2SV1YXR	16 in.	DN400	4483 Cv	3878 kvs	13966 Cv	12081 kvs	2-position 80 psi bidirectional	—	Position indicator
VFF2SV1YXS	16 in.	DN400	4483 Cv	3878 kvs	13966 Cv	12081 kvs	2-position, 80 psi spring return	—	Position indicator
VFF2SW1YCR	16 in.	DN400	4483 Cv	3878 kvs	13966 Cv	12081 kvs	2-position, 24 Vac solenoid 80 psi bidirectional	—	Position indicator
VFF2SW1YCS	16 in.	DN400	4483 Cv	3878 kvs	13966 Cv	12081 kvs	2-position, 24 Vac solenoid 80 psi spring return	—	Position indicator
VFF2SW1YDR	16 in.	DN400	4483 Cv	3878 kvs	13966 Cv	12081 kvs	4-20 mA Servo 80 psi bidirectional	—	Position indicator
VFF2SW1YDS	16 in.	DN400	4483 Cv	3878 kvs	13966 Cv	12081 kvs	4-20 mA Servo, 80 psi spring return	—	Position indicator
VFF2SW1YER	16 in.	DN400	4483 Cv	3878 kvs	13966 Cv	12081 kvs	2-position, 120 Vac solenoid 80 psi bidirectional	—	Position indicator
VFF2SW1YES	16 in.	DN400	4483 Cv	3878 kvs	13966 Cv	12081 kvs	2-position, 120 Vac solenoid 80 psi spring return	—	Position indicator
VFF2SW1YPR	16 in.	DN400	4483 Cv	3878 kvs	13966 Cv	12081 kvs	Modulating w/positioner, bidirectional	—	Position indicator
VFF2SW1YPS	16 in.	DN400	4483 Cv	3878 kvs	13966 Cv	12081 kvs	Modulating w/positioner, spring return	—	Position indicator
VFF2SW1YXR	16 in.	DN400	4483 Cv	3878 kvs	13966 Cv	12081 kvs	2-position 80 psi bidirectional	—	Position indicator
VFF2SW1YXS	16 in.	DN400	4483 Cv	3878 kvs	13966 Cv	12081 kvs	2-position, 80 psi spring return	—	Position indicator
VFF2TV1YCR	18 in.	DN450	5736 Cv	4962 kvs	17214 Cv	14890 kvs	2-position, 24 Vac solenoid 80 psi bidirectional	—	Position indicator
VFF2TV1YCS	18 in.	DN450	5736 Cv	4962 kvs	17214 Cv	14890 kvs	2-position, 24 Vac solenoid 80 psi spring return	—	Position indicator
VFF2TV1YDR	18 in.	DN450	5736 Cv	4962 kvs	17214 Cv	14890 kvs	4-20 mA Servo 80 psi bidirectional	—	Position indicator
VFF2TV1YDS	18 in.	DN450	5736 Cv	4962 kvs	17214 Cv	14890 kvs	4-20 mA Servo, 80 psi spring return	—	Position indicator
VFF2TV1YER	18 in.	DN450	5736 Cv	4962 kvs	17214 Cv	14890 kvs	2-position, 120 Vac solenoid 80 psi bidirectional	—	Position indicator
VFF2TV1YES	18 in.	DN450	5736 Cv	4962 kvs	17214 Cv	14890 kvs	2-position, 120 Vac solenoid 80 psi spring return	—	Position indicator
VFF2TV1YPR	18 in.	DN450	5736 Cv	4962 kvs	17214 Cv	14890 kvs	Modulating w/positioner, bidirectional	—	Position indicator
VFF2TV1YPS	18 in.	DN450	5736 Cv	4962 kvs	17214 Cv	14890 kvs	Modulating w/positioner, spring return	—	Position indicator
VFF2TV1YXR	18 in.	DN450	5736 Cv	4962 kvs	17214 Cv	14890 kvs	2-position 80 psi bidirectional	—	Position indicator
VFF2TV1YXS	18 in.	DN450	5736 Cv	4962 kvs	17214 Cv	14890 kvs	2-position, 80 psi spring return	—	Position indicator
VFF2TW1YCR	18 in.	DN450	5736 Cv	4962 kvs	17214 Cv	14890 kvs	2-position, 24 Vac solenoid 80 psi bidirectional	—	Position indicator
VFF2TW1YCS	18 in.	DN450	5736 Cv	4962 kvs	17214 Cv	14890 kvs	2-position, 24 Vac solenoid 80 psi spring return	—	Position indicator
VFF2TW1YDR	18 in.	DN450	5736 Cv	4962 kvs	17214 Cv	14890 kvs	4-20 mA Servo 80 psi bidirectional	—	Position indicator
VFF2TW1YDS	18 in.	DN450	5736 Cv	4962 kvs	17214 Cv	14890 kvs	4-20 mA Servo, 80 psi spring return	—	Position indicator
VFF2TW1YER	18 in.	DN450	5736 Cv	4962 kvs	17214 Cv	14890 kvs	2-position, 120 Vac solenoid 80 psi bidirectional	—	Position indicator
VFF2TW1YES	18 in.	DN450	5736 Cv	4962 kvs	17214 Cv	14890 kvs	2-position, 120 Vac solenoid 80 psi spring return	—	Position indicator

Butterfly Valves

Product Number	Valve Size		Capacity at 60 degrees stroke		Capacity at 90 degrees stroke		Actuator Selection	Comments	Includes
	inch	DN	Cv	kvs	Cv	kvs			
VFF2TW1YPR	18 in.	DN450	5736 Cv	4962 k _{VS}	17214 Cv	14890 k _{VS}	Modulating w/positioner, bidirectional	—	Position indicator
VFF2TW1YPS	18 in.	DN450	5736 Cv	4962 k _{VS}	17214 Cv	14890 k _{VS}	Modulating w/positioner, spring return	—	Position indicator
VFF2TW1YXR	18 in.	DN450	5736 Cv	4962 k _{VS}	17214 Cv	14890 k _{VS}	2-position 80 psi bidirectional	—	Position indicator
VFF2TW1YXS	18 in.	DN450	5736 Cv	4962 k _{VS}	17214 Cv	14890 k _{VS}	2-position, 80 psi spring return	—	Position indicator
VFF2UV1YCR	20 in.	DN500	7144 Cv	6180 k _{VS}	22339 Cv	19323 k _{VS}	2-position, 24 Vac solenoid 80 psi bidirectional	—	Position indicator
VFF2UV1YCS	20 in.	DN500	7144 Cv	6180 k _{VS}	22339 Cv	19323 k _{VS}	2-position, 24 Vac solenoid 80 psi spring return	—	Position indicator
VFF2UV1YDR	20 in.	DN500	7144 Cv	6180 k _{VS}	22339 Cv	19323 k _{VS}	4-20 mA Servo 80 psi bidirectional	—	Position indicator
VFF2UV1YDS	20 in.	DN500	7144 Cv	6180 k _{VS}	22339 Cv	19323 k _{VS}	4-20 mA Servo, 80 psi spring return	—	Position indicator
VFF2UV1YER	20 in.	DN500	7144 Cv	6180 k _{VS}	22339 Cv	19323 k _{VS}	2-position, 120 Vac solenoid 80 psi bidirectional	—	Position indicator
VFF2UV1YES	20 in.	DN500	7144 Cv	6180 k _{VS}	22339 Cv	19323 k _{VS}	2-position, 120 Vac solenoid 80 psi spring return	—	Position indicator
VFF2UV1YPR	20 in.	DN500	7144 Cv	6180 k _{VS}	22339 Cv	19323 k _{VS}	Modulating w/positioner, bidirectional	—	Position indicator
VFF2UV1YPS	20 in.	DN500	7144 Cv	6180 k _{VS}	22339 Cv	19323 k _{VS}	Modulating w/positioner, spring return	—	Position indicator
VFF2UV1YXR	20 in.	DN500	7144 Cv	6180 k _{VS}	22339 Cv	19323 k _{VS}	2-position 80 psi bidirectional	—	Position indicator
VFF2UV1YXS	20 in.	DN500	7144 Cv	6180 k _{VS}	22339 Cv	19323 k _{VS}	2-position, 80 psi spring return	—	Position indicator
VFF2UW1YCR	20 in.	DN500	7144 Cv	6180 k _{VS}	22339 Cv	19323 k _{VS}	2-position, 24 Vac solenoid 80 psi bidirectional	—	Position indicator
VFF2UW1YCS	20 in.	DN500	7144 Cv	6180 k _{VS}	22339 Cv	19323 k _{VS}	2-position, 24 Vac solenoid 80 psi spring return	—	Position indicator
VFF2UW1YDR	20 in.	DN500	7144 Cv	6180 k _{VS}	22339 Cv	19323 k _{VS}	4-20 mA Servo 80 psi bidirectional	—	Position indicator
VFF2UW1YDS	20 in.	DN500	7144 Cv	6180 k _{VS}	22339 Cv	19323 k _{VS}	4-20 mA Servo, 80 psi spring return	—	Position indicator
VFF2UW1YER	20 in.	DN500	7144 Cv	6180 k _{VS}	22339 Cv	19323 k _{VS}	2-position, 120 Vac solenoid 80 psi bidirectional	—	Position indicator
VFF2UW1YES	20 in.	DN500	7144 Cv	6180 k _{VS}	22339 Cv	19323 k _{VS}	2-position, 120 Vac solenoid 80 psi spring return	—	Position indicator
VFF2UW1YPR	20 in.	DN500	7144 Cv	6180 k _{VS}	22339 Cv	19323 k _{VS}	Modulating w/positioner, bidirectional	—	Position indicator
VFF2UW1YPS	20 in.	DN500	7144 Cv	6180 k _{VS}	22339 Cv	19323 k _{VS}	Modulating w/positioner, spring return	—	Position indicator
VFF2UW1YXR	20 in.	DN500	7144 Cv	6180 k _{VS}	22339 Cv	19323 k _{VS}	2-position 80 psi bidirectional	—	Position indicator
VFF2UW1YXS	20 in.	DN500	7144 Cv	6180 k _{VS}	22339 Cv	19323 k _{VS}	2-position, 80 psi spring return	—	Position indicator

Butterfly Valves

Valves with Manual Operators

NOTE: These products use over-cut disks to achieve 250 psid close-off, and cannot be automated due to their high torque.

Product Number	Valve Size		Capacity at 60 degrees stroke		Capacity at 90 degrees stroke		Includes
	inch	DN	Cv	k _{VS}	Cv	k _{VS}	
VFF2FW2YGX	2 in.	DN50	61 Cv	53 k _{VS}	144 Cv	125 k _{VS}	Geared wheel operator
VFF2FW2YLX	2 in.	DN50	61 Cv	53 k _{VS}	144 Cv	125 k _{VS}	Lever operator
VFF2GW2YGX	2-1/2 in.	DN65	107 Cv	93 k _{VS}	282 Cv	244 k _{VS}	Geared wheel operator
VFF2GW2YLX	2-1/2 in.	DN65	107 Cv	93 k _{VS}	282 Cv	244 k _{VS}	Lever operator
VFF2HW2YGX	3 in.	DN80	154 Cv	133 k _{VS}	461 Cv	399 k _{VS}	Geared wheel operator
VFF2HW2YLX	3 in.	DN80	154 Cv	133 k _{VS}	461 Cv	399 k _{VS}	Lever operator
VFF2JW2YGX	4 in.	DN100	274 Cv	237 k _{VS}	841 Cv	727 k _{VS}	Geared wheel operator
VFF2JW2YLX	4 in.	DN100	274 Cv	237 k _{VS}	841 Cv	727 k _{VS}	Lever operator
VFF2KW2YGX	5 in.	DN125	428 Cv	370 k _{VS}	1376 Cv	1190 k _{VS}	Geared wheel operator
VFF2KW2YLX	5 in.	DN125	428 Cv	370 k _{VS}	1376 Cv	1190 k _{VS}	Lever operator
VFF2LW2YGX	6 in.	DN150	567 Cv	490 k _{VS}	1850 Cv	1600 k _{VS}	Geared wheel operator
VFF2LW2YLX	6 in.	DN150	567 Cv	490 k _{VS}	1850 Cv	1600 k _{VS}	Lever operator
VFF2MW2YGX	8 in.	DN200	1081 Cv	935 k _{VS}	3316 Cv	2868 k _{VS}	Geared wheel operator
VFF2MW2YLX	8 in.	DN200	1081 Cv	935 k _{VS}	3316 Cv	2868 k _{VS}	Lever operator
VFF2NW2YGX	10 in.	DN250	1710 Cv	1479 k _{VS}	5430 Cv	4697 k _{VS}	Geared wheel operator
VFF2NW2YLX	10 in.	DN250	1710 Cv	1479 k _{VS}	5430 Cv	4697 k _{VS}	Lever operator
VFF2PW2YGX	12 in.	DN300	2563 Cv	2217 k _{VS}	8077 Cv	6987 k _{VS}	Geared wheel operator
VFF2RW2YGX	14 in.	DN350	3384 Cv	2927 k _{VS}	10538 Cv	9115 k _{VS}	Geared wheel operator
VFF2SW2YGX	16 in.	DN400	4483 Cv	3878 k _{VS}	13966 Cv	12081 k _{VS}	Geared wheel operator
VFF2TW2YGX	18 in.	DN450	5736 Cv	4962 k _{VS}	17214 Cv	14890 k _{VS}	Geared wheel operator
VFF2UW2YGX	20 in.	DN500	7144 Cv	6180 k _{VS}	22339 Cv	19323 k _{VS}	Geared wheel operator

VFF3 Three-way (A-B-AB) Control Butterfly Valves



Body Pattern: 3 way (A-B-AB)
Valve Action: Normally Closed
Connection Type: Lugged
Controlled Medium: Chilled and hot water, up to 50% glycol
Actuator Control Type: See Tables
Type of Enclosure: See Tables
Flow Characteristic: Modified Equal Percent
Mounting: ANSI Flanged
Static Pressure Rating (max): 250 psi (1724 kPa)
Maximum Differential Pressure Ratings (Close-off): 175 psi (1206 kPa)
Actuator Ambient Temperature Ratings: -5 F to 140 F (-20 C to 60 C)
Temperature Range: -40 F to 250 F (-40 C to 121 C)

Number of Flange Bolts
For 2 in., 2-1/2 in., 3 in. valves: 4
For 4 in., 5 in., 6 in., 8 in. valves: 8
For 10 in., 12 in., 14 in. valves: 12
For 16 in., 18 in., 20 in. valves: 16
20 in. valves: 20

Flange Bolt Thread
For 2 in., 2-1/2 in., 3 in., 4 in. valves: 5/8 in. -11 pitch
For 5 in., 6 in., 8 in. valves: 3/4 in. -10 pitch
For 10 in., 12 in. valves: 7/8 in. -9 pitch
For 14 in., 16 in., 18 in., 20 in. valves: 1-1/8 in. -7 pitch

Materials
(Body): Polyester-coated cast iron ASTM A126 Class B
(Stem): 416 stainless steel
(Seat): Peroxide-cured EPDM resilient seat
(Plug/Ball/Disc): Nylon 11-coated ductile iron

Resilient seat three-way valves provide control for HVAC system applications including chilled water, hot water, cooling tower water, thermal storage systems, and steam.

Approvals:
CE: Compliant
Underwriters Laboratories, Inc. C/US UL873, Plenum Rated

Valves with Electric Actuator

Product Number	Valve Size		Capacity at 60 degrees stroke		Capacity at 90 degrees stroke		Actuator Selection	Type of Enclosure	Includes
	inch	DN	Cv	kvs	Cv	kvs			
VFF3FW1Y2A	2 in.	DN50	61 Cv	53 kvs	144 Cv	125 kvs	Non-Spring Return Floating control	NEMA 2 housing	—
VFF3FW1Y2B	2 in.	DN50	61 Cv	53 kvs	144 Cv	125 kvs	Non-Spring Return Modulating control	NEMA 2 housing	—
VFF3FW1Y2C	2 in.	DN50	61 Cv	53 kvs	144 Cv	125 kvs	Spring Return 2-Position, 24 Vac	NEMA 2 housing	—
VFF3FW1Y2D	2 in.	DN50	61 Cv	53 kvs	144 Cv	125 kvs	Spring Return Floating/Modulating control	NEMA 2 housing	—
VFF3FW1Y2E	2 in.	DN50	61 Cv	53 kvs	144 Cv	125 kvs	Spring Return 2-Position, 120 Vac	NEMA 2 housing	—
VFF3FW1YXA	2 in.	DN50	61 Cv	53 kvs	144 Cv	125 kvs	Non-Spring Return 120 Vac Floating control	NEMA 4X (Water tight, corrosion-proof) housing	Anti-condensation heater, manual gear wheel
VFF3FW1YXB	2 in.	DN50	61 Cv	53 kvs	144 Cv	125 kvs	Non-Spring Return Modulating control	NEMA 4X (Water tight, corrosion-proof) housing	Anti-condensation heater, manual gear wheel
VFF3GW1Y2A	2-1/2 in.	DN65	107 Cv	93 kvs	282 Cv	244 kvs	Non-Spring Return Floating control	NEMA 2 housing	—
VFF3GW1Y2B	2-1/2 in.	DN65	107 Cv	93 kvs	282 Cv	244 kvs	Non-Spring Return Modulating control	NEMA 2 housing	—
VFF3GW1Y2C	2-1/2 in.	DN65	107 Cv	93 kvs	282 Cv	244 kvs	Spring Return 2-Position, 24 Vac	NEMA 2 housing	—
VFF3GW1Y2D	2-1/2 in.	DN65	107 Cv	93 kvs	282 Cv	244 kvs	Spring Return Floating/Modulating control	NEMA 2 housing	—
VFF3GW1Y2E	2-1/2 in.	DN65	107 Cv	93 kvs	282 Cv	244 kvs	Spring Return 2-Position, 120 Vac	NEMA 2 housing	—

Butterfly Valves

Product Number	Valve Size		Capacity at 60 degrees stroke		Capacity at 90 degrees stroke		Actuator Selection	Type of Enclosure	Includes
	inch	DN	Cv	kvs	Cv	kvs			
VFF3GW1YXA	2-1/2 in.	DN65	107 Cv	93 kvs	282 Cv	244 kvs	Non-Spring Return 120 Vac Floating control	NEMA 4X (Water tight, corrosion-proof) housing	Anti-condensation heater, manual gear wheel
VFF3GW1YXB	2-1/2 in.	DN65	107 Cv	93 kvs	282 Cv	244 kvs	Non-Spring Return Modulating control	NEMA 4X (Water tight, corrosion-proof) housing	Anti-condensation heater, manual gear wheel
VFF3HW1Y2A	3 in.	DN80	154 Cv	133 kvs	461 Cv	399 kvs	Non-Spring Return Floating control	NEMA 2 housing	—
VFF3HW1Y2B	3 in.	DN80	154 Cv	133 kvs	461 Cv	399 kvs	Non-Spring Return Modulating control	NEMA 2 housing	—
VFF3HW1Y2C	3 in.	DN80	154 Cv	133 kvs	461 Cv	399 kvs	Spring Return 2-Position, 24 Vac	NEMA 2 housing	—
VFF3HW1Y2D	3 in.	DN80	154 Cv	133 kvs	461 Cv	399 kvs	Spring Return Floating/Modulating control	NEMA 2 housing	—
VFF3HW1Y2E	3 in.	DN80	154 Cv	133 kvs	461 Cv	399 kvs	Spring Return 2-Position, 120 Vac	NEMA 2 housing	—
VFF3HW1YXA	3 in.	DN80	154 Cv	133 kvs	461 Cv	399 kvs	Non-Spring Return 120 Vac Floating control	NEMA 4X (Water tight, corrosion-proof) housing	Anti-condensation heater, manual gear wheel
VFF3HW1YXB	3 in.	DN80	154 Cv	133 kvs	461 Cv	399 kvs	Non-Spring Return Modulating control	NEMA 4X (Water tight, corrosion-proof) housing	Anti-condensation heater, manual gear wheel
VFF3JV1Y2A	4 in.	DN100	274 Cv	237 kvs	841 Cv	727 kvs	Non-Spring Return Floating control	NEMA 2 housing	—
VFF3JV1Y2B	4 in.	DN100	274 Cv	237 kvs	841 Cv	727 kvs	Non-Spring Return Modulating control	NEMA 2 housing	—
VFF3JV1Y2C	4 in.	DN100	274 Cv	237 kvs	841 Cv	727 kvs	Spring Return 2-Position, 24 Vac	NEMA 2 housing	—
VFF3JV1Y2D	4 in.	DN100	274 Cv	237 kvs	841 Cv	727 kvs	Spring Return Floating/Modulating control	NEMA 2 housing	—
VFF3JV1Y2E	4 in.	DN100	274 Cv	237 kvs	841 Cv	727 kvs	Spring Return 2-Position, 120 Vac	NEMA 2 housing	—
VFF3JV1YXA	4 in.	DN100	274 Cv	237 kvs	841 Cv	727 kvs	Non-Spring Return 120 Vac Floating control	NEMA 4X (Water tight, corrosion-proof) housing	Anti-condensation heater, manual gear wheel
VFF3JV1YXB	4 in.	DN100	274 Cv	237 kvs	841 Cv	727 kvs	Non-Spring Return Modulating control	NEMA 4X (Water tight, corrosion-proof) housing	Anti-condensation heater, manual gear wheel
VFF3JW1Y2A	4 in.	DN100	274 Cv	237 kvs	841 Cv	727 kvs	Non-Spring Return Floating control	NEMA 2 housing	—
VFF3JW1Y2B	4 in.	DN100	274 Cv	237 kvs	841 Cv	727 kvs	Non-Spring Return Modulating control	NEMA 2 housing	—
VFF3JW1YXA	4 in.	DN100	274 Cv	237 kvs	841 Cv	727 kvs	Non-Spring Return 120 Vac Floating control	NEMA 4X (Water tight, corrosion-proof) housing	Anti-condensation heater, manual gear wheel
VFF3JW1YXB	4 in.	DN100	274 Cv	237 kvs	841 Cv	727 kvs	Non-Spring Return Modulating control	NEMA 4X (Water tight, corrosion-proof) housing	Anti-condensation heater, manual gear wheel
VFF3KV1Y2A	5 in.	DN125	428 Cv	370 kvs	1376 Cv	1190 kvs	Non-Spring Return Floating control	NEMA 2 housing	—
VFF3KV1Y2B	5 in.	DN125	428 Cv	370 kvs	1376 Cv	1190 kvs	Non-Spring Return Modulating control	NEMA 2 housing	—
VFF3KV1Y2C	5 in.	DN125	428 Cv	370 kvs	1376 Cv	1190 kvs	Spring Return 2-Position, 24 Vac	NEMA 2 housing	—
VFF3KV1Y2D	5 in.	DN125	428 Cv	370 kvs	1376 Cv	1190 kvs	Spring Return Floating/Modulating control	NEMA 2 housing	—
VFF3KV1Y2E	5 in.	DN125	428 Cv	370 kvs	1376 Cv	1190 kvs	Spring Return 2-Position, 120 Vac	NEMA 2 housing	—
VFF3KV1YXA	5 in.	DN125	428 Cv	370 kvs	1376 Cv	1190 kvs	Non-Spring Return 120 Vac Floating control	NEMA 4X (Water tight, corrosion-proof) housing	Anti-condensation heater, manual gear wheel
VFF3KV1YXB	5 in.	DN125	428 Cv	370 kvs	1376 Cv	1190 kvs	Non-Spring Return Modulating control	NEMA 4X (Water tight, corrosion-proof) housing	Anti-condensation heater, manual gear wheel

Butterfly Valves

Product Number	Valve Size		Capacity at 60 degrees stroke		Capacity at 90 degrees stroke		Actuator Selection	Type of Enclosure	Includes
	inch	DN	Cv	kvs	Cv	kvs			
VFF3KW1Y2A	5 in.	DN125	428 Cv	370 kvs	1376 Cv	1190 kvs	Non-Spring Return Floating control	NEMA 2 housing	—
VFF3KW1Y2B	5 in.	DN125	428 Cv	370 kvs	1376 Cv	1190 kvs	Non-Spring Return Modulating control	NEMA 2 housing	—
VFF3KW1YXA	5 in.	DN125	428 Cv	370 kvs	1376 Cv	1190 kvs	Non-Spring Return 120 Vac Floating control	NEMA 4X (Water tight, corrosion-proof) housing	Anti-condensation heater, manual gear wheel
VFF3KW1YXB	5 in.	DN125	428 Cv	370 kvs	1376 Cv	1190 kvs	Non-Spring Return Modulating control	NEMA 4X (Water tight, corrosion-proof) housing	Anti-condensation heater, manual gear wheel
VFF3LV1Y2A	6 in.	DN150	567 Cv	490 kvs	1850 Cv	1600 kvs	Non-Spring Return Floating control	NEMA 2 housing	—
VFF3LV1Y2B	6 in.	DN150	567 Cv	490 kvs	1850 Cv	1600 kvs	Non-Spring Return Modulating control	NEMA 2 housing	—
VFF3LV1YXA	6 in.	DN150	567 Cv	490 kvs	1850 Cv	1600 kvs	Non-Spring Return 120 Vac Floating control	NEMA 4X (Water tight, corrosion-proof) housing	Anti-condensation heater, manual gear wheel
VFF3LV1YXB	6 in.	DN150	567 Cv	490 kvs	1850 Cv	1600 kvs	Non-Spring Return Modulating control	NEMA 4X (Water tight, corrosion-proof) housing	Anti-condensation heater, manual gear wheel
VFF3LW1YXA	6 in.	DN150	567 Cv	490 kvs	1850 Cv	1600 kvs	Non-Spring Return 120 Vac Floating control	NEMA 4X (Water tight, corrosion-proof) housing	Anti-condensation heater, manual gear wheel
VFF3LW1YXB	6 in.	DN150	567 Cv	490 kvs	1850 Cv	1600 kvs	Non-Spring Return Modulating control	NEMA 4X (Water tight, corrosion-proof) housing	Anti-condensation heater, manual gear wheel
VFF3MV1YXA	8 in.	DN200	1081 Cv	935 kvs	3316 Cv	2868 kvs	Non-Spring Return 120 Vac Floating control	NEMA 4X (Water tight, corrosion-proof) housing	Anti-condensation heater, manual gear wheel
VFF3MV1YXB	8 in.	DN200	1081 Cv	935 kvs	3316 Cv	2868 kvs	Non-Spring Return Modulating control	NEMA 4X (Water tight, corrosion-proof) housing	Anti-condensation heater, manual gear wheel
VFF3MW1YXA	8 in.	DN200	1081 Cv	935 kvs	3316 Cv	2868 kvs	Non-Spring Return 120 Vac Floating control	NEMA 4X (Water tight, corrosion-proof) housing	Anti-condensation heater, manual gear wheel
VFF3MW1YXB	8 in.	DN200	1081 Cv	935 kvs	3316 Cv	2868 kvs	Non-Spring Return Modulating control	NEMA 4X (Water tight, corrosion-proof) housing	Anti-condensation heater, manual gear wheel
VFF3NV1YXA	10 in.	DN250	1710 Cv	1479 kvs	5430 Cv	4697 kvs	Non-Spring Return 120 Vac Floating control	NEMA 4X (Water tight, corrosion-proof) housing	Anti-condensation heater, manual gear wheel
VFF3NV1YXB	10 in.	DN250	1710 Cv	1479 kvs	5430 Cv	4697 kvs	Non-Spring Return Modulating control	NEMA 4X (Water tight, corrosion-proof) housing	Anti-condensation heater, manual gear wheel
VFF3NW1YXA	10 in.	DN250	1710 Cv	1479 kvs	5430 Cv	4697 kvs	Non-Spring Return 120 Vac Floating control	NEMA 4X (Water tight, corrosion-proof) housing	Anti-condensation heater, manual gear wheel
VFF3NW1YXB	10 in.	DN250	1710 Cv	1479 kvs	5430 Cv	4697 kvs	Non-Spring Return Modulating control	NEMA 4X (Water tight, corrosion-proof) housing	Anti-condensation heater, manual gear wheel
VFF3PV1YXA	12 in.	DN300	2563 Cv	2217 kvs	8077 Cv	6987 kvs	Non-Spring Return 120 Vac Floating control	NEMA 4X (Water tight, corrosion-proof) housing	Anti-condensation heater, manual gear wheel
VFF3PV1YXB	12 in.	DN300	2563 Cv	2217 kvs	8077 Cv	6987 kvs	Non-Spring Return Modulating control	NEMA 4X (Water tight, corrosion-proof) housing	Anti-condensation heater, manual gear wheel
VFF3PW1YXA	12 in.	DN300	2563 Cv	2217 kvs	8077 Cv	6987 kvs	Non-Spring Return 120 Vac Floating control	NEMA 4X (Water tight, corrosion-proof) housing	Anti-condensation heater, manual gear wheel
VFF3PW1YXB	12 in.	DN300	2563 Cv	2217 kvs	8077 Cv	6987 kvs	Non-Spring Return Modulating control	NEMA 4X (Water tight, corrosion-proof) housing	Anti-condensation heater, manual gear wheel
VFF3RV1YXA	14 in.	DN350	3384 Cv	2927 kvs	10538 Cv	9115 kvs	Non-Spring Return 120 Vac Floating control	NEMA 4X (Water tight, corrosion-proof) housing	Anti-condensation heater, manual gear wheel

Butterfly Valves

Product Number	Valve Size		Capacity at 60 degrees stroke		Capacity at 90 degrees stroke		Actuator Selection	Type of Enclosure	Includes
	inch	DN	Cv	kvs	Cv	kvs			
VFF3RV1YXB	14 in.	DN350	3384 Cv	2927 k _{VS}	10538 Cv	9115 k _{VS}	Non-Spring Return Modulating control	NEMA 4X (Water tight, corrosion-proof) housing	Anti-condensation heater, manual gear wheel
VFF3RW1Y4A	14 in.	DN350	3384 Cv	2927 k _{VS}	10538 Cv	9115 k _{VS}	Non-Spring Return 120 Vac Floating control	NEMA 4 (Water tight) housing	Anti-condensation heater, manual gear wheel
VFF3RW1Y4B	14 in.	DN350	3384 Cv	2927 k _{VS}	10538 Cv	9115 k _{VS}	Non-Spring Return 20 mA Modulating control	NEMA 4 (Water tight) housing	Anti-condensation heater, manual gear wheel
VFF3SV1YXA	16 in.	DN400	4483 Cv	3878 k _{VS}	13966 Cv	12081 k _{VS}	Non-Spring Return 120 Vac Floating control	NEMA 4X (Water tight, corrosion-proof) housing	Anti-condensation heater, manual gear wheel
VFF3SV1YXB	16 in.	DN400	4483 Cv	3878 k _{VS}	13966 Cv	12081 k _{VS}	Non-Spring Return Modulating control	NEMA 4X (Water tight, corrosion-proof) housing	Anti-condensation heater, manual gear wheel
VFF3SW1Y4A	16 in.	DN400	4483 Cv	3878 k _{VS}	13966 Cv	12081 k _{VS}	Non-Spring Return 120 Vac Floating control	NEMA 4 (Water tight) housing	Anti-condensation heater, manual gear wheel
VFF3SW1Y4B	16 in.	DN400	4483 Cv	3878 k _{VS}	13966 Cv	12081 k _{VS}	Non-Spring Return 20 mA Modulating control	NEMA 4 (Water tight) housing	Anti-condensation heater, manual gear wheel
VFF3TV1Y4A	18 in.	DN450	5736 Cv	4962 k _{VS}	17214 Cv	14890 k _{VS}	Non-Spring Return 120 Vac Floating control	NEMA 4 (Water tight) housing	Anti-condensation heater, manual gear wheel
VFF3TV1Y4B	18 in.	DN450	5736 Cv	4962 k _{VS}	17214 Cv	14890 k _{VS}	Non-Spring Return 20 mA Modulating control	NEMA 4 (Water tight) housing	Anti-condensation heater, manual gear wheel
VFF3TW1Y4A	18 in.	DN450	5736 Cv	4962 k _{VS}	17214 Cv	14890 k _{VS}	Non-Spring Return 120 Vac Floating control	NEMA 4 (Water tight) housing	Anti-condensation heater, manual gear wheel
VFF3TW1Y4B	18 in.	DN450	5736 Cv	4962 k _{VS}	17214 Cv	14890 k _{VS}	Non-Spring Return 20 mA Modulating control	NEMA 4 (Water tight) housing	Anti-condensation heater, manual gear wheel
VFF3UV1Y4A	20 in.	DN500	7144 Cv	6180 k _{VS}	22339 Cv	19323 k _{VS}	Non-Spring Return 120 Vac Floating control	NEMA 4 (Water tight) housing	Anti-condensation heater, manual gear wheel
VFF3UV1Y4B	20 in.	DN500	7144 Cv	6180 k _{VS}	22339 Cv	19323 k _{VS}	Non-Spring Return 20 mA Modulating control	NEMA 4 (Water tight) housing	Anti-condensation heater, manual gear wheel
VFF3UW1Y4A	20 in.	DN500	7144 Cv	6180 k _{VS}	22339 Cv	19323 k _{VS}	Non-Spring Return 120 Vac Floating control	NEMA 4 (Water tight) housing	Anti-condensation heater, manual gear wheel
VFF3UW1Y4B	20 in.	DN500	7144 Cv	6180 k _{VS}	22339 Cv	19323 k _{VS}	Non-Spring Return 20 mA Modulating control	NEMA 4 (Water tight) housing	Anti-condensation heater, manual gear wheel

Valves with Pneumatic Actuator

Type of Enclosure: Pneumatic

Product Number	Valve Size		Capacity at 60 degrees stroke		Capacity at 90 degrees stroke		Actuator Selection	Comments	Includes
	inch	DN	Cv	kvs	Cv	kvs			
VFF3FW1Y8P	2 in.	DN50	61 Cv	53 k _{VS}	Stroke limited to 70 degrees		20 psi spring return	Linear actuator	—
VFF3FW1YCR	2 in.	DN50	61 Cv	53 k _{VS}	144 Cv	125 k _{VS}	2-position, 24 Vac solenoid 80 psi bidirectional	—	Position indicator
VFF3FW1YCS	2 in.	DN50	61 Cv	53 k _{VS}	144 Cv	125 k _{VS}	2-position, 24 Vac solenoid 80 psi spring return	—	Position indicator
VFF3FW1YDR	2 in.	DN50	61 Cv	53 k _{VS}	144 Cv	125 k _{VS}	4-20 mA Servo 80 psi bidirectional	—	Position indicator
VFF3FW1YDS	2 in.	DN50	61 Cv	53 k _{VS}	144 Cv	125 k _{VS}	4-20 mA Servo, 80 psi spring return	—	Position indicator
VFF3FW1YER	2 in.	DN50	61 Cv	53 k _{VS}	144 Cv	125 k _{VS}	2-position, 120 Vac solenoid 80 psi bidirectional	—	Position indicator
VFF3FW1YPP	2 in.	DN50	61 Cv	53 k _{VS}	Stroke limited to 70 degrees		Modulating w/positioner, spring return	Linear actuator	—

Butterfly Valves

Product Number	Valve Size		Capacity at 60 degrees stroke		Capacity at 90 degrees stroke		Actuator Selection	Comments	Includes
	inch	DN	Cv	kvs	Cv	kvs			
VFF3FW1YPR	2 in.	DN50	61 Cv	53 kvs	144 Cv	125 kvs	Modulating w/positioner, bidirectional	—	Position indicator
VFF3FW1YPS	2 in.	DN50	61 Cv	53 kvs	144 Cv	125 kvs	Modulating w/positioner, spring return	—	Position indicator
VFF3FW1YXR	2 in.	DN50	61 Cv	53 kvs	144 Cv	125 kvs	2-position 80 psi bidirectional	—	Position indicator
VFF3FW1YXS	2 in.	DN50	61 Cv	53 kvs	144 Cv	125 kvs	2-position, 80 psi spring return	—	Position indicator
VFF3GW1Y8P	2-1/2 in.	DN65	107 Cv	93 kvs	Stroke limited to 70 degrees		20 psi spring return	Linear actuator	—
VFF3GW1YCR	2-1/2 in.	DN65	107 Cv	93 kvs	282 Cv	244 kvs	2-position, 24 Vac solenoid 80 psi bidirectional	—	Position indicator
VFF3GW1YCS	2-1/2 in.	DN65	107 Cv	93 kvs	282 Cv	244 kvs	2-position, 24 Vac solenoid 80 psi spring return	—	Position indicator
VFF3GW1YDR	2-1/2 in.	DN65	107 Cv	93 kvs	282 Cv	244 kvs	4-20 mA Servo 80 psi bidirectional	—	Position indicator
VFF3GW1YDS	2-1/2 in.	DN65	107 Cv	93 kvs	282 Cv	244 kvs	4-20 mA Servo, 80 psi spring return	—	Position indicator
VFF3GW1YER	2-1/2 in.	DN65	107 Cv	93 kvs	282 Cv	244 kvs	2-position, 120 Vac solenoid 80 psi bidirectional	—	Position indicator
VFF3GW1YES	2-1/2 in.	DN65	107 Cv	93 kvs	282 Cv	244 kvs	2-position, 120 Vac solenoid 80 psi spring return	—	Position indicator
VFF3GW1YPP	2-1/2 in.	DN65	107 Cv	93 kvs	Stroke limited to 70 degrees		Modulating w/positioner, spring return	Linear actuator	—
VFF3GW1YPR	2-1/2 in.	DN65	107 Cv	93 kvs	282 Cv	244 kvs	Modulating w/positioner, bidirectional	—	Position indicator
VFF3GW1YPS	2-1/2 in.	DN65	107 Cv	93 kvs	282 Cv	244 kvs	Modulating w/positioner, spring return	—	Position indicator
VFF3GW1YXR	2-1/2 in.	DN65	107 Cv	93 kvs	282 Cv	244 kvs	2-position 80 psi bidirectional	—	Position indicator
VFF3GW1YXS	2-1/2 in.	DN65	107 Cv	93 kvs	282 Cv	244 kvs	2-position, 80 psi spring return	—	Position indicator
VFF3HW1Y8P	3 in.	DN80	154 Cv	133 kvs	Stroke limited to 70 degrees		20 psi spring return	Linear actuator	—
VFF3HW1YCR	3 in.	DN80	154 Cv	133 kvs	461 Cv	399 kvs	2-position, 24 Vac solenoid 80 psi bidirectional	—	Position indicator
VFF3HW1YCS	3 in.	DN80	154 Cv	133 kvs	461 Cv	399 kvs	2-position, 24 Vac solenoid 80 psi spring return	—	Position indicator
VFF3HW1YDR	3 in.	DN80	154 Cv	133 kvs	461 Cv	399 kvs	4-20 mA Servo 80 psi bidirectional	—	Position indicator
VFF3HW1YDS	3 in.	DN80	154 Cv	133 kvs	461 Cv	399 kvs	4-20 mA Servo, 80 psi spring return	—	Position indicator
VFF3HW1YER	3 in.	DN80	154 Cv	133 kvs	461 Cv	399 kvs	2-position, 120 Vac solenoid 80 psi bidirectional	—	Position indicator
VFF3HW1YES	3 in.	DN80	154 Cv	133 kvs	461 Cv	399 kvs	2-position, 120 Vac solenoid 80 psi spring return	—	Position indicator
VFF3HW1YPP	3 in.	DN80	154 Cv	133 kvs	Stroke limited to 70 degrees		Modulating w/positioner, spring return	Linear actuator	—
VFF3HW1YPR	3 in.	DN80	154 Cv	133 kvs	461 Cv	399 kvs	Modulating w/positioner, bidirectional	—	Position indicator
VFF3HW1YPS	3 in.	DN80	154 Cv	133 kvs	461 Cv	399 kvs	Modulating w/positioner, spring return	—	Position indicator
VFF3HW1YXR	3 in.	DN80	154 Cv	133 kvs	461 Cv	399 kvs	2-position 80 psi bidirectional	—	Position indicator
VFF3HW1YXS	3 in.	DN80	154 Cv	133 kvs	461 Cv	399 kvs	2-position, 80 psi spring return	—	Position indicator
VFF3JV1Y8P	4 in.	DN100	274 Cv	237 kvs	Stroke limited to 70 degrees		20 psi spring return	Linear actuator	—
VFF3JV1YCR	4 in.	DN100	274 Cv	237 kvs	841 Cv	727 kvs	2-position, 24 Vac solenoid 80 psi bidirectional	—	Position indicator
VFF3JV1YCS	4 in.	DN100	274 Cv	237 kvs	841 Cv	727 kvs	2-position, 24 Vac solenoid 80 psi spring return	—	Position indicator
VFF3JV1YDR	4 in.	DN100	274 Cv	237 kvs	841 Cv	727 kvs	4-20 mA Servo 80 psi bidirectional	—	Position indicator

Butterfly Valves

Product Number	Valve Size		Capacity at 60 degrees stroke		Capacity at 90 degrees stroke		Actuator Selection	Comments	Includes
	inch	DN	Cv	kvs	Cv	kvs			
VFF3JV1YDS	4 in.	DN100	274 Cv	237 kvs	841 Cv	727 kvs	4-20 mA Servo, 80 psi spring return	—	Position indicator
VFF3JV1YER	4 in.	DN100	274 Cv	237 kvs	841 Cv	727 kvs	2-position, 120 Vac solenoid 80 psi bidirectional	—	Position indicator
VFF3JV1YES	4 in.	DN100	274 Cv	237 kvs	841 Cv	727 kvs	2-position, 120 Vac solenoid 80 psi spring return	—	Position indicator
VFF3JV1YPP	4 in.	DN100	274 Cv	237 kvs	Stroke limited to 70 degrees		Modulating w/positioner, spring return	Linear actuator	—
VFF3JV1YPR	4 in.	DN100	274 Cv	237 kvs	841 Cv	727 kvs	Modulating w/positioner, bidirectional	—	Position indicator
VFF3JV1YPS	4 in.	DN100	274 Cv	237 kvs	841 Cv	727 kvs	Modulating w/positioner, spring return	—	Position indicator
VFF3JV1YXR	4 in.	DN100	274 Cv	237 kvs	841 Cv	727 kvs	2-position 80 psi bidirectional	—	Position indicator
VFF3JV1YXS	4 in.	DN100	274 Cv	237 kvs	841 Cv	727 kvs	2-position, 80 psi spring return	—	Position indicator
VFF3JW1Y8P	4 in.	DN100	274 Cv	237 kvs	Stroke limited to 70 degrees		20 psi spring return	Linear actuator	—
VFF3JW1YCR	4 in.	DN100	274 Cv	237 kvs	841 Cv	727 kvs	2-position, 24 Vac solenoid 80 psi bidirectional	—	Position indicator
VFF3JW1YCS	4 in.	DN100	274 Cv	237 kvs	841 Cv	727 kvs	2-position, 24 Vac solenoid 80 psi spring return	—	Position indicator
VFF3JW1YDR	4 in.	DN100	274 Cv	237 kvs	841 Cv	727 kvs	4-20 mA Servo 80 psi bidirectional	—	Position indicator
VFF3JW1YDS	4 in.	DN100	274 Cv	237 kvs	841 Cv	727 kvs	4-20 mA Servo, 80 psi spring return	—	Position indicator
VFF3JW1YER	4 in.	DN100	274 Cv	237 kvs	841 Cv	727 kvs	2-position, 120 Vac solenoid 80 psi bidirectional	—	Position indicator
VFF3JW1YES	4 in.	DN100	274 Cv	237 kvs	841 Cv	727 kvs	2-position, 120 Vac solenoid 80 psi spring return	—	Position indicator
VFF3JW1YPP	4 in.	DN100	274 Cv	237 kvs	Stroke limited to 70 degrees		Modulating w/positioner, spring return	Linear actuator	—
VFF3JW1YPR	4 in.	DN100	274 Cv	237 kvs	841 Cv	727 kvs	Modulating w/positioner, bidirectional	—	Position indicator
VFF3JW1YPS	4 in.	DN100	274 Cv	237 kvs	841 Cv	727 kvs	Modulating w/positioner, spring return	—	Position indicator
VFF3JW1YXR	4 in.	DN100	274 Cv	237 kvs	841 Cv	727 kvs	2-position 80 psi bidirectional	—	Position indicator
VFF3JW1YXS	4 in.	DN100	274 Cv	237 kvs	841 Cv	727 kvs	2-position, 80 psi spring return	—	Position indicator
VFF3KV1YCR	5 in.	DN125	428 Cv	370 kvs	1376 Cv	1190 kvs	2-position, 24 Vac solenoid 80 psi bidirectional	—	Position indicator
VFF3KV1YCS	5 in.	DN125	428 Cv	370 kvs	1376 Cv	1190 kvs	2-position, 24 Vac solenoid 80 psi spring return	—	Position indicator
VFF3KV1YDR	5 in.	DN125	428 Cv	370 kvs	1376 Cv	1190 kvs	4-20 mA Servo 80 psi bidirectional	—	Position indicator
VFF3KV1YDS	5 in.	DN125	428 Cv	370 kvs	1376 Cv	1190 kvs	4-20 mA Servo, 80 psi spring return	—	Position indicator
VFF3KV1YER	5 in.	DN125	428 Cv	370 kvs	1376 Cv	1190 kvs	2-position, 120 Vac solenoid 80 psi bidirectional	—	Position indicator
VFF3KV1YES	5 in.	DN125	428 Cv	370 kvs	1376 Cv	1190 kvs	2-position, 120 Vac solenoid 80 psi spring return	—	Position indicator
VFF3KV1YPR	5 in.	DN125	428 Cv	370 kvs	1376 Cv	1190 kvs	Modulating w/positioner, bidirectional	—	Position indicator
VFF3KV1YPS	5 in.	DN125	428 Cv	370 kvs	1376 Cv	1190 kvs	Modulating w/positioner, spring return	—	Position indicator
VFF3KV1YXR	5 in.	DN125	428 Cv	370 kvs	1376 Cv	1190 kvs	2-position 80 psi bidirectional	—	Position indicator
VFF3KV1YXS	5 in.	DN125	428 Cv	370 kvs	1376 Cv	1190 kvs	2-position, 80 psi spring return	—	Position indicator
VFF3KW1Y8P	5 in.	DN125	428 Cv	370 kvs	Stroke limited to 70 degrees		20 psi spring return	Linear actuator	—
VFF3KW1YCR	5 in.	DN125	428 Cv	370 kvs	1376 Cv	1190 kvs	2-position, 24 Vac solenoid 80 psi bidirectional	—	Position indicator

Butterfly Valves

Product Number	Valve Size		Capacity at 60 degrees stroke		Capacity at 90 degrees stroke		Actuator Selection	Comments	Includes
	inch	DN	Cv	k _{VS}	Cv	k _{VS}			
VFF3KW1YCS	5 in.	DN125	428 Cv	370 k _{VS}	1376 Cv	1190 k _{VS}	2-position, 24 Vac solenoid 80 psi spring return	—	Position indicator
VFF3KW1YDR	5 in.	DN125	428 Cv	370 k _{VS}	1376 Cv	1190 k _{VS}	4-20 mA Servo 80 psi bidirectional	—	Position indicator
VFF3KW1YDS	5 in.	DN125	428 Cv	370 k _{VS}	1376 Cv	1190 k _{VS}	4-20 mA Servo, 80 psi spring return	—	Position indicator
VFF3KW1YER	5 in.	DN125	428 Cv	370 k _{VS}	1376 Cv	1190 k _{VS}	2-position, 120 Vac solenoid 80 psi bidirectional	—	Position indicator
VFF3KW1YES	5 in.	DN125	428 Cv	370 k _{VS}	1376 Cv	1190 k _{VS}	2-position, 120 Vac solenoid 80 psi spring return	—	Position indicator
VFF3KW1YPP	5 in.	DN125	428 Cv	370 k _{VS}	Stroke limited to 70 degrees		Modulating w/positioner, spring return	Linear actuator	—
VFF3KW1YPR	5 in.	DN125	428 Cv	370 k _{VS}	1376 Cv	1190 k _{VS}	Modulating w/positioner, bidirectional	—	Position indicator
VFF3KW1YPS	5 in.	DN125	428 Cv	370 k _{VS}	1376 Cv	1190 k _{VS}	Modulating w/positioner, spring return	—	Position indicator
VFF3KW1YXR	5 in.	DN125	428 Cv	370 k _{VS}	1376 Cv	1190 k _{VS}	2-position 80 psi bidirectional	—	Position indicator
VFF3KW1YXS	5 in.	DN125	428 Cv	370 k _{VS}	1376 Cv	1190 k _{VS}	2-position, 80 psi spring return	—	Position indicator
VFF3LV1Y8P	6 in.	DN150	567 Cv	490 k _{VS}	Stroke limited to 70 degrees		20 psi spring return	Linear actuator	—
VFF3LV1YCR	6 in.	DN150	567 Cv	490 k _{VS}	1850 Cv	1600 k _{VS}	2-position, 24 Vac solenoid 80 psi bidirectional	—	Position indicator
VFF3LV1YCS	6 in.	DN150	567 Cv	490 k _{VS}	1850 Cv	1600 k _{VS}	2-position, 24 Vac solenoid 80 psi spring return	—	Position indicator
VFF3LV1YDR	6 in.	DN150	567 Cv	490 k _{VS}	1850 Cv	1600 k _{VS}	4-20 mA Servo 80 psi bidirectional	—	Position indicator
VFF3LV1YDS	6 in.	DN150	567 Cv	490 k _{VS}	1850 Cv	1600 k _{VS}	4-20 mA Servo, 80 psi spring return	—	Position indicator
VFF3LV1YER	6 in.	DN150	567 Cv	490 k _{VS}	1850 Cv	1600 k _{VS}	2-position, 120 Vac solenoid 80 psi bidirectional	—	Position indicator
VFF3LV1YES	6 in.	DN150	567 Cv	490 k _{VS}	1850 Cv	1600 k _{VS}	2-position, 120 Vac solenoid 80 psi spring return	—	Position indicator
VFF3LV1YPP	6 in.	DN150	567 Cv	490 k _{VS}	Stroke limited to 70 degrees		Modulating w/positioner, spring return	Linear actuator	—
VFF3LV1YPR	6 in.	DN150	567 Cv	490 k _{VS}	1850 Cv	1600 k _{VS}	Modulating w/positioner, bidirectional	—	Position indicator
VFF3LV1YPS	6 in.	DN150	567 Cv	490 k _{VS}	1850 Cv	1600 k _{VS}	Modulating w/positioner, spring return	—	Position indicator
VFF3LV1YXR	6 in.	DN150	567 Cv	490 k _{VS}	1850 Cv	1600 k _{VS}	2-position 80 psi bidirectional	—	Position indicator
VFF3LV1YXS	6 in.	DN150	567 Cv	490 k _{VS}	1850 Cv	1600 k _{VS}	2-position, 80 psi spring return	—	Position indicator
VFF3LV1Y8P	6 in.	DN150	567 Cv	490 k _{VS}	Stroke limited to 70 degrees		20 psi spring return	Linear actuator	—
VFF3LV1YCR	6 in.	DN150	567 Cv	490 k _{VS}	1850 Cv	1600 k _{VS}	2-position, 24 Vac solenoid 80 psi bidirectional	—	Position indicator
VFF3LV1YCS	6 in.	DN150	567 Cv	490 k _{VS}	1850 Cv	1600 k _{VS}	2-position, 24 Vac solenoid 80 psi spring return	—	Position indicator
VFF3LV1YDR	6 in.	DN150	567 Cv	490 k _{VS}	1850 Cv	1600 k _{VS}	4-20 mA Servo 80 psi bidirectional	—	Position indicator
VFF3LV1YDS	6 in.	DN150	567 Cv	490 k _{VS}	1850 Cv	1600 k _{VS}	4-20 mA Servo, 80 psi spring return	—	Position indicator
VFF3LV1YER	6 in.	DN150	567 Cv	490 k _{VS}	1850 Cv	1600 k _{VS}	2-position, 120 Vac solenoid 80 psi bidirectional	—	Position indicator
VFF3LV1YES	6 in.	DN150	567 Cv	490 k _{VS}	1850 Cv	1600 k _{VS}	2-position, 120 Vac solenoid 80 psi spring return	—	Position indicator
VFF3LV1YPP	6 in.	DN150	567 Cv	490 k _{VS}	Stroke limited to 70 degrees		Modulating w/positioner, spring return	Linear actuator	—
VFF3LV1YPR	6 in.	DN150	567 Cv	490 k _{VS}	1850 Cv	1600 k _{VS}	Modulating w/positioner, bidirectional	—	Position indicator
VFF3LV1YPS	6 in.	DN150	567 Cv	490 k _{VS}	1850 Cv	1600 k _{VS}	Modulating w/positioner, spring return	—	Position indicator

Butterfly Valves

Product Number	Valve Size		Capacity at 60 degrees stroke		Capacity at 90 degrees stroke		Actuator Selection	Comments	Includes
	inch	DN	Cv	kvs	Cv	kvs			
VFF3LW1YXR	6 in.	DN150	567 Cv	490 k _{VS}	1850 Cv	1600 k _{VS}	2-position 80 psi bidirectional	—	Position indicator
VFF3LW1YXS	6 in.	DN150	567 Cv	490 k _{VS}	1850 Cv	1600 k _{VS}	2-position, 80 psi spring return	—	Position indicator
VFF3MV1Y8P	8 in.	DN200	1081 Cv	935 k _{VS}	Stroke limited to 70 degrees		20 psi spring return	Linear actuator	—
VFF3MV1YCR	8 in.	DN200	1081 Cv	935 k _{VS}	3316 Cv	2868 k _{VS}	2-position, 24 Vac solenoid 80 psi bidirectional	—	Position indicator
VFF3MV1YCS	8 in.	DN200	1081 Cv	935 k _{VS}	3316 Cv	2868 k _{VS}	2-position, 24 Vac solenoid 80 psi spring return	—	Position indicator
VFF3MV1YDR	8 in.	DN200	1081 Cv	935 k _{VS}	3316 Cv	2868 k _{VS}	4-20 mA Servo 80 psi bidirectional	—	Position indicator
VFF3MV1YDS	8 in.	DN200	1081 Cv	935 k _{VS}	3316 Cv	2868 k _{VS}	4-20 mA Servo, 80 psi spring return	—	Position indicator
VFF3MV1YER	8 in.	DN200	1081 Cv	935 k _{VS}	3316 Cv	2868 k _{VS}	2-position, 120 Vac solenoid 80 psi bidirectional	—	Position indicator
VFF3MV1YES	8 in.	DN200	1081 Cv	935 k _{VS}	3316 Cv	2868 k _{VS}	2-position, 120 Vac solenoid 80 psi spring return	—	Position indicator
VFF3MV1YPP	8 in.	DN200	1081 Cv	935 k _{VS}	Stroke limited to 70 degrees		Modulating w/positioner, spring return	Linear actuator	—
VFF3MV1YPR	8 in.	DN200	1081 Cv	935 k _{VS}	3316 Cv	2868 k _{VS}	Modulating w/positioner, bidirectional	—	Position indicator
VFF3MV1YPS	8 in.	DN200	1081 Cv	935 k _{VS}	3316 Cv	2868 k _{VS}	Modulating w/positioner, spring return	—	Position indicator
VFF3MV1YXR	8 in.	DN200	1081 Cv	935 k _{VS}	3316 Cv	2868 k _{VS}	2-position 80 psi bidirectional	—	Position indicator
VFF3MV1YXS	8 in.	DN200	1081 Cv	935 k _{VS}	3316 Cv	2868 k _{VS}	2-position, 80 psi spring return	—	Position indicator
VFF3MW1YCR	8 in.	DN200	1081 Cv	935 k _{VS}	3316 Cv	2868 k _{VS}	2-position, 24 Vac solenoid 80 psi bidirectional	—	Position indicator
VFF3MW1YCS	8 in.	DN200	1081 Cv	935 k _{VS}	3316 Cv	2868 k _{VS}	2-position, 24 Vac solenoid 80 psi spring return	—	Position indicator
VFF3MW1YDR	8 in.	DN200	1081 Cv	935 k _{VS}	3316 Cv	2868 k _{VS}	4-20 mA Servo 80 psi bidirectional	—	Position indicator
VFF3MW1YDS	8 in.	DN200	1081 Cv	935 k _{VS}	3316 Cv	2868 k _{VS}	4-20 mA Servo, 80 psi spring return	—	Position indicator
VFF3MW1YER	8 in.	DN200	1081 Cv	935 k _{VS}	3316 Cv	2868 k _{VS}	2-position, 120 Vac solenoid 80 psi bidirectional	—	Position indicator
VFF3MW1YES	8 in.	DN200	1081 Cv	935 k _{VS}	3316 Cv	2868 k _{VS}	2-position, 120 Vac solenoid 80 psi spring return	—	Position indicator
VFF3MW1YPR	8 in.	DN200	1081 Cv	935 k _{VS}	3316 Cv	2868 k _{VS}	Modulating w/positioner, bidirectional	—	Position indicator
VFF3MW1YPS	8 in.	DN200	1081 Cv	935 k _{VS}	3316 Cv	2868 k _{VS}	Modulating w/positioner, spring return	—	Position indicator
VFF3MW1YXR	8 in.	DN200	1081 Cv	935 k _{VS}	3316 Cv	2868 k _{VS}	2-position 80 psi bidirectional	—	Position indicator
VFF3MW1YXS	8 in.	DN200	1081 Cv	935 k _{VS}	3316 Cv	2868 k _{VS}	2-position, 80 psi spring return	—	Position indicator
VFF3NV1YCR	10 in.	DN250	1710 Cv	1479 k _{VS}	5430 Cv	4697 k _{VS}	2-position, 24 Vac solenoid 80 psi bidirectional	—	Position indicator
VFF3NV1YCS	10 in.	DN250	1710 Cv	1479 k _{VS}	5430 Cv	4697 k _{VS}	2-position, 24 Vac solenoid 80 psi spring return	—	Position indicator
VFF3NV1YDR	10 in.	DN250	1710 Cv	1479 k _{VS}	5430 Cv	4697 k _{VS}	4-20 mA Servo 80 psi bidirectional	—	Position indicator
VFF3NV1YDS	10 in.	DN250	1710 Cv	1479 k _{VS}	5430 Cv	4697 k _{VS}	4-20 mA Servo, 80 psi spring return	—	Position indicator
VFF3NV1YER	10 in.	DN250	1710 Cv	1479 k _{VS}	5430 Cv	4697 k _{VS}	2-position, 120 Vac solenoid 80 psi bidirectional	—	Position indicator
VFF3NV1YES	10 in.	DN250	1710 Cv	1479 k _{VS}	5430 Cv	4697 k _{VS}	2-position, 120 Vac solenoid 80 psi spring return	—	Position indicator
VFF3NV1YPR	10 in.	DN250	1710 Cv	1479 k _{VS}	5430 Cv	4697 k _{VS}	Modulating w/positioner, bidirectional	—	Position indicator
VFF3NV1YPS	10 in.	DN250	1710 Cv	1479 k _{VS}	5430 Cv	4697 k _{VS}	Modulating w/positioner, spring return	—	Position indicator
VFF3NV1YXR	10 in.	DN250	1710 Cv	1479 k _{VS}	5430 Cv	4697 k _{VS}	2-position 80 psi bidirectional	—	Position indicator

Butterfly Valves

Product Number	Valve Size		Capacity at 60 degrees stroke		Capacity at 90 degrees stroke		Actuator Selection	Comments	Includes
	inch	DN	Cv	kvs	Cv	kvs			
VFF3NV1YXS	10 in.	DN250	1710 Cv	1479 k _{VS}	5430 Cv	4697 k _{VS}	2-position, 80 psi spring return	—	Position indicator
VFF3NW1YCR	10 in.	DN250	1710 Cv	1479 k _{VS}	5430 Cv	4697 k _{VS}	2-position, 24 Vac solenoid 80 psi bidirectional	—	Position indicator
VFF3NW1YCS	10 in.	DN250	1710 Cv	1479 k _{VS}	5430 Cv	4697 k _{VS}	2-position, 24 Vac solenoid 80 psi spring return	—	Position indicator
VFF3NW1YDR	10 in.	DN250	1710 Cv	1479 k _{VS}	5430 Cv	4697 k _{VS}	4-20 mA Servo 80 psi bidirectional	—	Position indicator
VFF3NW1YDS	10 in.	DN250	1710 Cv	1479 k _{VS}	5430 Cv	4697 k _{VS}	4-20 mA Servo, 80 psi spring return	—	Position indicator
VFF3NW1YER	10 in.	DN250	1710 Cv	1479 k _{VS}	5430 Cv	4697 k _{VS}	2-position, 120 Vac solenoid 80 psi bidirectional	—	Position indicator
VFF3NW1YES	10 in.	DN250	1710 Cv	1479 k _{VS}	5430 Cv	4697 k _{VS}	2-position, 120 Vac solenoid 80 psi spring return	—	Position indicator
VFF3NW1YPR	10 in.	DN250	1710 Cv	1479 k _{VS}	5430 Cv	4697 k _{VS}	Modulating w/positioner, bidirectional	—	Position indicator
VFF3NW1YPS	10 in.	DN250	1710 Cv	1479 k _{VS}	5430 Cv	4697 k _{VS}	Modulating w/positioner, spring return	—	Position indicator
VFF3NW1YXR	10 in.	DN250	1710 Cv	1479 k _{VS}	5430 Cv	4697 k _{VS}	2-position 80 psi bidirectional	—	Position indicator
VFF3NW1YXS	10 in.	DN250	1710 Cv	1479 k _{VS}	5430 Cv	4697 k _{VS}	2-position, 80 psi spring return	—	Position indicator
VFF3PV1YCR	12 in.	DN300	2563 Cv	2217 k _{VS}	8077 Cv	6987 k _{VS}	2-position, 24 Vac solenoid 80 psi bidirectional	—	Position indicator
VFF3PV1YCS	12 in.	DN300	2563 Cv	2217 k _{VS}	8077 Cv	6987 k _{VS}	2-position, 24 Vac solenoid 80 psi spring return	—	Position indicator
VFF3PV1YDR	12 in.	DN300	2563 Cv	2217 k _{VS}	8077 Cv	6987 k _{VS}	4-20 mA Servo 80 psi bidirectional	—	Position indicator
VFF3PV1YDS	12 in.	DN300	2563 Cv	2217 k _{VS}	8077 Cv	6987 k _{VS}	4-20 mA Servo, 80 psi spring return	—	Position indicator
VFF3PV1YER	12 in.	DN300	2563 Cv	2217 k _{VS}	8077 Cv	6987 k _{VS}	2-position, 120 Vac solenoid 80 psi bidirectional	—	Position indicator
VFF3PV1YES	12 in.	DN300	2563 Cv	2217 k _{VS}	8077 Cv	6987 k _{VS}	2-position, 120 Vac solenoid 80 psi spring return	—	Position indicator
VFF3PV1YPR	12 in.	DN300	2563 Cv	2217 k _{VS}	8077 Cv	6987 k _{VS}	Modulating w/positioner, bidirectional	—	Position indicator
VFF3PV1YPS	12 in.	DN300	2563 Cv	2217 k _{VS}	8077 Cv	6987 k _{VS}	Modulating w/positioner, spring return	—	Position indicator
VFF3PV1YXR	12 in.	DN300	2563 Cv	2217 k _{VS}	8077 Cv	6987 k _{VS}	2-position 80 psi bidirectional	—	Position indicator
VFF3PV1YXS	12 in.	DN300	2563 Cv	2217 k _{VS}	8077 Cv	6987 k _{VS}	2-position, 80 psi spring return	—	Position indicator
VFF3PW1YCR	12 in.	DN300	2563 Cv	2217 k _{VS}	8077 Cv	6987 k _{VS}	2-position, 24 Vac solenoid 80 psi bidirectional	—	Position indicator
VFF3PW1YCS	12 in.	DN300	2563 Cv	2217 k _{VS}	8077 Cv	6987 k _{VS}	2-position, 24 Vac solenoid 80 psi spring return	—	Position indicator
VFF3PW1YDR	12 in.	DN300	2563 Cv	2217 k _{VS}	8077 Cv	6987 k _{VS}	4-20 mA Servo 80 psi bidirectional	—	Position indicator
VFF3PW1YDS	12 in.	DN300	2563 Cv	2217 k _{VS}	8077 Cv	6987 k _{VS}	4-20 mA Servo, 80 psi spring return	—	Position indicator
VFF3PW1YER	12 in.	DN300	2563 Cv	2217 k _{VS}	8077 Cv	6987 k _{VS}	2-position, 120 Vac solenoid 80 psi bidirectional	—	Position indicator
VFF3PW1YES	12 in.	DN300	2563 Cv	2217 k _{VS}	8077 Cv	6987 k _{VS}	2-position, 120 Vac solenoid 80 psi spring return	—	Position indicator
VFF3PW1YPR	12 in.	DN300	2563 Cv	2217 k _{VS}	8077 Cv	6987 k _{VS}	Modulating w/positioner, bidirectional	—	Position indicator
VFF3PW1YPS	12 in.	DN300	2563 Cv	2217 k _{VS}	8077 Cv	6987 k _{VS}	Modulating w/positioner, spring return	—	Position indicator
VFF3PW1YXR	12 in.	DN300	2563 Cv	2217 k _{VS}	8077 Cv	6987 k _{VS}	2-position 80 psi bidirectional	—	Position indicator
VFF3PW1YXS	12 in.	DN300	2563 Cv	2217 k _{VS}	8077 Cv	6987 k _{VS}	2-position, 80 psi spring return	—	Position indicator
VFF3RV1YCR	14 in.	DN350	3384 Cv	2927 k _{VS}	10538 Cv	9115 k _{VS}	2-position, 24 Vac solenoid 80 psi bidirectional	—	Position indicator
VFF3RV1YCS	14 in.	DN350	3384 Cv	2927 k _{VS}	10538 Cv	9115 k _{VS}	2-position, 24 Vac solenoid 80 psi spring return	—	Position indicator

Butterfly Valves

Product Number	Valve Size		Capacity at 60 degrees stroke		Capacity at 90 degrees stroke		Actuator Selection	Comments	Includes
	inch	DN	Cv	k _{VS}	Cv	k _{VS}			
VFF3RV1YDR	14 in.	DN350	3384 Cv	2927 k _{VS}	10538 Cv	9115 k _{VS}	4-20 mA Servo 80 psi bidirectional	—	Position indicator
VFF3RV1YDS	14 in.	DN350	3384 Cv	2927 k _{VS}	10538 Cv	9115 k _{VS}	4-20 mA Servo, 80 psi spring return	—	Position indicator
VFF3RV1YER	14 in.	DN350	3384 Cv	2927 k _{VS}	10538 Cv	9115 k _{VS}	2-position, 120 Vac solenoid 80 psi bidirectional	—	Position indicator
VFF3RV1YES	14 in.	DN350	3384 Cv	2927 k _{VS}	10538 Cv	9115 k _{VS}	2-position, 120 Vac solenoid 80 psi spring return	—	Position indicator
VFF3RV1YPR	14 in.	DN350	3384 Cv	2927 k _{VS}	10538 Cv	9115 k _{VS}	Modulating w/positioner, bidirectional	—	Position indicator
VFF3RV1YPS	14 in.	DN350	3384 Cv	2927 k _{VS}	10538 Cv	9115 k _{VS}	Modulating w/positioner, spring return	—	Position indicator
VFF3RV1YXR	14 in.	DN350	3384 Cv	2927 k _{VS}	10538 Cv	9115 k _{VS}	2-position 80 psi bidirectional	—	Position indicator
VFF3RV1YXS	14 in.	DN350	3384 Cv	2927 k _{VS}	10538 Cv	9115 k _{VS}	2-position, 80 psi spring return	—	Position indicator
VFF3RW1YCR	14 in.	DN350	3384 Cv	2927 k _{VS}	10538 Cv	9115 k _{VS}	2-position, 24 Vac solenoid 80 psi bidirectional	—	Position indicator
VFF3RW1YCS	14 in.	DN350	3384 Cv	2927 k _{VS}	10538 Cv	9115 k _{VS}	2-position, 24 Vac solenoid 80 psi spring return	—	Position indicator
VFF3RW1YDR	14 in.	DN350	3384 Cv	2927 k _{VS}	10538 Cv	9115 k _{VS}	4-20 mA Servo 80 psi bidirectional	—	Position indicator
VFF3RW1YDS	14 in.	DN350	3384 Cv	2927 k _{VS}	10538 Cv	9115 k _{VS}	4-20 mA Servo, 80 psi spring return	—	Position indicator
VFF3RW1YER	14 in.	DN350	3384 Cv	2927 k _{VS}	10538 Cv	9115 k _{VS}	2-position, 120 Vac solenoid 80 psi bidirectional	—	Position indicator
VFF3RW1YES	14 in.	DN350	3384 Cv	2927 k _{VS}	10538 Cv	9115 k _{VS}	2-position, 120 Vac solenoid 80 psi spring return	—	Position indicator
VFF3RW1YPR	14 in.	DN350	3384 Cv	2927 k _{VS}	10538 Cv	9115 k _{VS}	Modulating w/positioner, bidirectional	—	Position indicator
VFF3RW1YPS	14 in.	DN350	3384 Cv	2927 k _{VS}	10538 Cv	9115 k _{VS}	Modulating w/positioner, spring return	—	Position indicator
VFF3RW1YXR	14 in.	DN350	3384 Cv	2927 k _{VS}	10538 Cv	9115 k _{VS}	2-position 80 psi bidirectional	—	Position indicator
VFF3RW1YXS	14 in.	DN350	3384 Cv	2927 k _{VS}	10538 Cv	9115 k _{VS}	2-position, 80 psi spring return	—	Position indicator
VFF3SV1YCR	16 in.	DN400	4483 Cv	3878 k _{VS}	13966 Cv	12081 k _{VS}	2-position, 24 Vac solenoid 80 psi bidirectional	—	Position indicator
VFF3SV1YCS	16 in.	DN400	4483 Cv	3878 k _{VS}	13966 Cv	12081 k _{VS}	2-position, 24 Vac solenoid 80 psi spring return	—	Position indicator
VFF3SV1YDR	16 in.	DN400	4483 Cv	3878 k _{VS}	13966 Cv	12081 k _{VS}	4-20 mA Servo 80 psi bidirectional	—	Position indicator
VFF3SV1YDS	16 in.	DN400	4483 Cv	3878 k _{VS}	13966 Cv	12081 k _{VS}	4-20 mA Servo, 80 psi spring return	—	Position indicator
VFF3SV1YER	16 in.	DN400	4483 Cv	3878 k _{VS}	13966 Cv	12081 k _{VS}	2-position, 120 Vac solenoid 80 psi bidirectional	—	Position indicator
VFF3SV1YES	16 in.	DN400	4483 Cv	3878 k _{VS}	13966 Cv	12081 k _{VS}	2-position, 120 Vac solenoid 80 psi spring return	—	Position indicator
VFF3SV1YPR	16 in.	DN400	4483 Cv	3878 k _{VS}	13966 Cv	12081 k _{VS}	Modulating w/positioner, bidirectional	—	Position indicator
VFF3SV1YPS	16 in.	DN400	4483 Cv	3878 k _{VS}	13966 Cv	12081 k _{VS}	Modulating w/positioner, spring return	—	Position indicator
VFF3SV1YXR	16 in.	DN400	4483 Cv	3878 k _{VS}	13966 Cv	12081 k _{VS}	2-position 80 psi bidirectional	—	Position indicator
VFF3SV1YXS	16 in.	DN400	4483 Cv	3878 k _{VS}	13966 Cv	12081 k _{VS}	2-position, 80 psi spring return	—	Position indicator
VFF3SW1YCR	16 in.	DN400	4483 Cv	3878 k _{VS}	13966 Cv	12081 k _{VS}	2-position, 24 Vac solenoid 80 psi bidirectional	—	Position indicator
VFF3SW1YDR	16 in.	DN400	4483 Cv	3878 k _{VS}	13966 Cv	12081 k _{VS}	4-20 mA Servo 80 psi bidirectional	—	Position indicator
VFF3SW1YER	16 in.	DN400	4483 Cv	3878 k _{VS}	13966 Cv	12081 k _{VS}	2-position, 120 Vac solenoid 80 psi bidirectional	—	Position indicator
VFF3SW1YPR	16 in.	DN400	4483 Cv	3878 k _{VS}	13966 Cv	12081 k _{VS}	Modulating w/positioner, bidirectional	—	Position indicator
VFF3SW1YXR	16 in.	DN400	4483 Cv	3878 k _{VS}	13966 Cv	12081 k _{VS}	2-position 80 psi bidirectional	—	Position indicator

Butterfly Valves

Product Number	Valve Size		Capacity at 60 degrees stroke		Capacity at 90 degrees stroke		Actuator Selection	Comments	Includes
	inch	DN	Cv	kvs	Cv	kvs			
VFF3TV1YCR	18 in.	DN450	5736 Cv	4962 k _{VS}	17214 Cv	14890 k _{VS}	2-position, 24 Vac solenoid 80 psi bidirectional	—	Position indicator
VFF3TV1YCS	18 in.	DN450	5736 Cv	4962 k _{VS}	17214 Cv	14890 k _{VS}	2-position, 24 Vac solenoid 80 psi spring return	—	Position indicator
VFF3TV1YDR	18 in.	DN450	5736 Cv	4962 k _{VS}	17214 Cv	14890 k _{VS}	4-20 mA Servo 80 psi bidirectional	—	Position indicator
VFF3TV1YDS	18 in.	DN450	5736 Cv	4962 k _{VS}	17214 Cv	14890 k _{VS}	4-20 mA Servo, 80 psi spring return	—	Position indicator
VFF3TV1YER	18 in.	DN450	5736 Cv	4962 k _{VS}	17214 Cv	14890 k _{VS}	2-position, 120 Vac solenoid 80 psi bidirectional	—	Position indicator
VFF3TV1YES	18 in.	DN450	5736 Cv	4962 k _{VS}	17214 Cv	14890 k _{VS}	2-position, 120 Vac solenoid 80 psi spring return	—	Position indicator
VFF3TV1YPR	18 in.	DN450	5736 Cv	4962 k _{VS}	17214 Cv	14890 k _{VS}	Modulating w/positioner, bidirectional	—	Position indicator
VFF3TV1YPS	18 in.	DN450	5736 Cv	4962 k _{VS}	17214 Cv	14890 k _{VS}	Modulating w/positioner, spring return	—	Position indicator
VFF3TV1YXR	18 in.	DN450	5736 Cv	4962 k _{VS}	17214 Cv	14890 k _{VS}	2-position 80 psi bidirectional	—	Position indicator
VFF3TV1YXS	18 in.	DN450	5736 Cv	4962 k _{VS}	17214 Cv	14890 k _{VS}	2-position, 80 psi spring return	—	Position indicator
VFF3TW1YCR	18 in.	DN450	5736 Cv	4962 k _{VS}	17214 Cv	14890 k _{VS}	2-position, 24 Vac solenoid 80 psi bidirectional	—	Position indicator
VFF3TW1YDR	18 in.	DN450	5736 Cv	4962 k _{VS}	17214 Cv	14890 k _{VS}	4-20 mA Servo 80 psi bidirectional	—	Position indicator
VFF3TW1YER	18 in.	DN450	5736 Cv	4962 k _{VS}	17214 Cv	14890 k _{VS}	2-position, 120 Vac solenoid 80 psi bidirectional	—	Position indicator
VFF3TW1YPR	18 in.	DN450	5736 Cv	4962 k _{VS}	17214 Cv	14890 k _{VS}	Modulating w/positioner, bidirectional	—	Position indicator
VFF3TW1YXR	18 in.	DN450	5736 Cv	4962 k _{VS}	17214 Cv	14890 k _{VS}	2-position 80 psi bidirectional	—	Position indicator
VFF3UV1YCR	20 in.	DN500	7144 Cv	6180 k _{VS}	22339 Cv	19323 k _{VS}	2-position, 24 Vac solenoid 80 psi bidirectional	—	Position indicator
VFF3UV1YCS	20 in.	DN500	7144 Cv	6180 k _{VS}	22339 Cv	19323 k _{VS}	2-position, 24 Vac solenoid 80 psi spring return	—	Position indicator
VFF3UV1YDR	20 in.	DN500	7144 Cv	6180 k _{VS}	22339 Cv	19323 k _{VS}	4-20 mA Servo 80 psi bidirectional	—	Position indicator
VFF3UV1YDS	20 in.	DN500	7144 Cv	6180 k _{VS}	22339 Cv	19323 k _{VS}	4-20 mA Servo, 80 psi spring return	—	Position indicator
VFF3UV1YER	20 in.	DN500	7144 Cv	6180 k _{VS}	22339 Cv	19323 k _{VS}	2-position, 120 Vac solenoid 80 psi bidirectional	—	Position indicator
VFF3UV1YES	20 in.	DN500	7144 Cv	6180 k _{VS}	22339 Cv	19323 k _{VS}	2-position, 120 Vac solenoid 80 psi spring return	—	Position indicator
VFF3UV1YPR	20 in.	DN500	7144 Cv	6180 k _{VS}	22339 Cv	19323 k _{VS}	Modulating w/positioner, bidirectional	—	Position indicator
VFF3UV1YPS	20 in.	DN500	7144 Cv	6180 k _{VS}	22339 Cv	19323 k _{VS}	Modulating w/positioner, spring return	—	Position indicator
VFF3UV1YXR	20 in.	DN500	7144 Cv	6180 k _{VS}	22339 Cv	19323 k _{VS}	2-position 80 psi bidirectional	—	Position indicator
VFF3UV1YXS	20 in.	DN500	7144 Cv	6180 k _{VS}	22339 Cv	19323 k _{VS}	2-position, 80 psi spring return	—	Position indicator
VFF3UW1YCR	20 in.	DN500	7144 Cv	6180 k _{VS}	22339 Cv	19323 k _{VS}	2-position, 24 Vac solenoid 80 psi bidirectional	—	Position indicator
VFF3UW1YDR	20 in.	DN500	7144 Cv	6180 k _{VS}	22339 Cv	19323 k _{VS}	4-20 mA Servo 80 psi bidirectional	—	Position indicator
VFF3UW1YER	20 in.	DN500	7144 Cv	6180 k _{VS}	22339 Cv	19323 k _{VS}	2-position, 120 Vac solenoid 80 psi bidirectional	—	Position indicator
VFF3UW1YPR	20 in.	DN500	7144 Cv	6180 k _{VS}	22339 Cv	19323 k _{VS}	Modulating w/positioner, bidirectional	—	Position indicator
VFF3UW1YXR	20 in.	DN500	7144 Cv	6180 k _{VS}	22339 Cv	19323 k _{VS}	2-position 80 psi bidirectional	—	Position indicator

Butterfly Valves

VFF6 Three-way (A-AB-B) Control Butterfly Valves



Resilient seat three-way valves provide control for HVAC system applications including chilled water, hot water, cooling tower water, thermal storage systems, and steam.

Body Pattern: 3 way (A-AB-B)
Valve Action: Normally Closed
Connection Type: Lugged
Controlled Medium: Chilled and hot water, up to 50% glycol
Actuator Control Type: See Tables

Type of Enclosure: See Tables
Flow Characteristic: Modified Equal Percent
Mounting: ANSI Flanged
Static Pressure Rating (max): 250 psi (1724 kPa)
Maximum Differential Pressure Ratings (Close-off): 175 psi (1206 kPa)
Actuator Ambient Temperature Ratings: -5 F to 140 F (-20 C to 60 C)
Temperature Range: -40 F to 250 F (-40 C to 121 C)

Number of Flange Bolts
For 2 in., 2-1/2 in., 3 in. valves: 4
For 4 in., 5 in., 6 in., 8 in. valves: 8
For 10 in., 12 in., 14 in. valves: 12
For 16 in., 18 in., 20 in. valves: 16
20 in. valves: 20

Flange Bolt Thread
For 2 in., 2-1/2 in., 3 in., 4 in. valves: 5/8 in. -11 pitch
For 5 in., 6 in., 8 in. valves: 3/4 in. -10 pitch
For 10 in., 12 in. valves: 7/8 in. -9 pitch
For 14 in., 16 in., 18 in., 20 in. valves: 1-1/8 in. -7 pitch

Materials
(Body): Polyester-coated cast iron ASTM A126 Class B
(Stem): 416 stainless steel
(Seat): Peroxide-cured EPDM resilient seat
(Plug/Ball/Disc): Nylon 11-coated ductile iron
Approvals:
CE: Compliant
Underwriters Laboratories, Inc. C/US UL873, Plenum Rated

Valves with Electric Actuator

Product Number	Valve Size		Capacity at 60 degrees stroke		Capacity at 90 degrees stroke		Actuator Selection	Type of Enclosure	Includes
	inch	DN	Cv	kvs	Cv	kvs			
VFF6FW1Y2A	2 in.	DN50	61 Cv	53 kvs	144 Cv	125 kvs	Non-Spring Return Floating control	NEMA 2 housing	—
VFF6FW1Y2B	2 in.	DN50	61 Cv	53 kvs	144 Cv	125 kvs	Non-Spring Return Modulating control	NEMA 2 housing	—
VFF6FW1Y2C	2 in.	DN50	61 Cv	53 kvs	144 Cv	125 kvs	Spring Return 2-Position, 24 Vac	NEMA 2 housing	—
VFF6FW1Y2D	2 in.	DN50	61 Cv	53 kvs	144 Cv	125 kvs	Spring Return Floating/ Modulating control	NEMA 2 housing	—
VFF6FW1Y2E	2 in.	DN50	61 Cv	53 kvs	144 Cv	125 kvs	Spring Return 2-Position, 120 Vac	NEMA 2 housing	—
VFF6FW1YXA	2 in.	DN50	61 Cv	53 kvs	144 Cv	125 kvs	Non-Spring Return 120 Vac Floating control	NEMA 4X (Water tight, corrosion-proof) housing	Anti-condensation heater, manual gear wheel
VFF6FW1YXB	2 in.	DN50	61 Cv	53 kvs	144 Cv	125 kvs	Non-Spring Return Modulating control	NEMA 4X (Water tight, corrosion-proof) housing	Anti-condensation heater, manual gear wheel
VFF6GW1Y2A	2-1/2 in.	DN65	107 Cv	93 kvs	282 Cv	244 kvs	Non-Spring Return Floating control	NEMA 2 housing	—
VFF6GW1Y2B	2-1/2 in.	DN65	107 Cv	93 kvs	282 Cv	244 kvs	Non-Spring Return Modulating control	NEMA 2 housing	—
VFF6GW1Y2C	2-1/2 in.	DN65	107 Cv	93 kvs	282 Cv	244 kvs	Spring Return 2-Position, 24 Vac	NEMA 2 housing	—
VFF6GW1Y2D	2-1/2 in.	DN65	107 Cv	93 kvs	282 Cv	244 kvs	Spring Return Floating/ Modulating control	NEMA 2 housing	—
VFF6GW1Y2E	2-1/2 in.	DN65	107 Cv	93 kvs	282 Cv	244 kvs	Spring Return 2-Position, 120 Vac	NEMA 2 housing	—
VFF6GW1YXA	2-1/2 in.	DN65	107 Cv	93 kvs	282 Cv	244 kvs	Non-Spring Return 120 Vac Floating control	NEMA 4X (Water tight, corrosion-proof) housing	Anti-condensation heater, manual gear wheel
VFF6GW1YXB	2-1/2 in.	DN65	107 Cv	93 kvs	282 Cv	244 kvs	Non-Spring Return Modulating control	NEMA 4X (Water tight, corrosion-proof) housing	Anti-condensation heater, manual gear wheel

Butterfly Valves

Product Number	Valve Size		Capacity at 60 degrees stroke		Capacity at 90 degrees stroke		Actuator Selection	Type of Enclosure	Includes
	inch	DN	Cv	k _{VS}	Cv	k _{VS}			
VFF6HW1Y2A	3 in.	DN80	154 Cv	133 k _{VS}	461 Cv	399 k _{VS}	Non-Spring Return Floating control	NEMA 2 housing	—
VFF6HW1Y2B	3 in.	DN80	154 Cv	133 k _{VS}	461 Cv	399 k _{VS}	Non-Spring Return Modulating control	NEMA 2 housing	—
VFF6HW1Y2C	3 in.	DN80	154 Cv	133 k _{VS}	461 Cv	399 k _{VS}	Spring Return 2-Position, 24 Vac	NEMA 2 housing	—
VFF6HW1Y2D	3 in.	DN80	154 Cv	133 k _{VS}	461 Cv	399 k _{VS}	Spring Return Floating/ Modulating control	NEMA 2 housing	—
VFF6HW1Y2E	3 in.	DN80	154 Cv	133 k _{VS}	461 Cv	399 k _{VS}	Spring Return 2-Position, 120 Vac	NEMA 2 housing	—
VFF6HW1YXA	3 in.	DN80	154 Cv	133 k _{VS}	461 Cv	399 k _{VS}	Non-Spring Return 120 Vac Floating control	NEMA 4X (Water tight, corrosion-proof) housing	Anti-condensation heater, manual gear wheel
VFF6HW1YXB	3 in.	DN80	154 Cv	133 k _{VS}	461 Cv	399 k _{VS}	Non-Spring Return Modulating control	NEMA 4X (Water tight, corrosion-proof) housing	Anti-condensation heater, manual gear wheel
VFF6JV1Y2A	4 in.	DN100	274 Cv	237 k _{VS}	841 Cv	727 k _{VS}	Non-Spring Return Floating control	NEMA 2 housing	—
VFF6JV1Y2B	4 in.	DN100	274 Cv	237 k _{VS}	841 Cv	727 k _{VS}	Non-Spring Return Modulating control	NEMA 2 housing	—
VFF6JV1Y2C	4 in.	DN100	274 Cv	237 k _{VS}	841 Cv	727 k _{VS}	Spring Return 2-Position, 24 Vac	NEMA 2 housing	—
VFF6JV1Y2D	4 in.	DN100	274 Cv	237 k _{VS}	841 Cv	727 k _{VS}	Spring Return Floating/ Modulating control	NEMA 2 housing	—
VFF6JV1Y2E	4 in.	DN100	274 Cv	237 k _{VS}	841 Cv	727 k _{VS}	Spring Return 2-Position, 120 Vac	NEMA 2 housing	—
VFF6JV1YXA	4 in.	DN100	274 Cv	237 k _{VS}	841 Cv	727 k _{VS}	Non-Spring Return 120 Vac Floating control	NEMA 4X (Water tight, corrosion-proof) housing	Anti-condensation heater, manual gear wheel
VFF6JV1YXB	4 in.	DN100	274 Cv	237 k _{VS}	841 Cv	727 k _{VS}	Non-Spring Return Modulating control	NEMA 4X (Water tight, corrosion-proof) housing	Anti-condensation heater, manual gear wheel
VFF6JW1Y2A	4 in.	DN100	274 Cv	237 k _{VS}	841 Cv	727 k _{VS}	Non-Spring Return Floating control	NEMA 2 housing	—
VFF6JW1Y2B	4 in.	DN100	274 Cv	237 k _{VS}	841 Cv	727 k _{VS}	Non-Spring Return Modulating control	NEMA 2 housing	—
VFF6JW1YXA	4 in.	DN100	274 Cv	237 k _{VS}	841 Cv	727 k _{VS}	Non-Spring Return 120 Vac Floating control	NEMA 4X (Water tight, corrosion-proof) housing	Anti-condensation heater, manual gear wheel
VFF6JW1YXB	4 in.	DN100	274 Cv	237 k _{VS}	841 Cv	727 k _{VS}	Non-Spring Return Modulating control	NEMA 4X (Water tight, corrosion-proof) housing	Anti-condensation heater, manual gear wheel
VFF6KV1Y2A	5 in.	DN125	428 Cv	370 k _{VS}	1376 Cv	1190 k _{VS}	Non-Spring Return Floating control	NEMA 2 housing	—
VFF6KV1Y2B	5 in.	DN125	428 Cv	370 k _{VS}	1376 Cv	1190 k _{VS}	Non-Spring Return Modulating control	NEMA 2 housing	—
VFF6KV1Y2C	5 in.	DN125	428 Cv	370 k _{VS}	1376 Cv	1190 k _{VS}	Spring Return 2-Position, 24 Vac	NEMA 2 housing	—
VFF6KV1Y2D	5 in.	DN125	428 Cv	370 k _{VS}	1376 Cv	1190 k _{VS}	Spring Return Floating/ Modulating control	NEMA 2 housing	—
VFF6KV1Y2E	5 in.	DN125	428 Cv	370 k _{VS}	1376 Cv	1190 k _{VS}	Spring Return 2-Position, 120 Vac	NEMA 2 housing	—
VFF6KV1YXA	5 in.	DN125	428 Cv	370 k _{VS}	1376 Cv	1190 k _{VS}	Non-Spring Return 120 Vac Floating control	NEMA 4X (Water tight, corrosion-proof) housing	Anti-condensation heater, manual gear wheel
VFF6KV1YXB	5 in.	DN125	428 Cv	370 k _{VS}	1376 Cv	1190 k _{VS}	Non-Spring Return Modulating control	NEMA 4X (Water tight, corrosion-proof) housing	Anti-condensation heater, manual gear wheel
VFF6KW1Y2A	5 in.	DN125	428 Cv	370 k _{VS}	1376 Cv	1190 k _{VS}	Non-Spring Return Floating control	NEMA 2 housing	—
VFF6KW1Y2B	5 in.	DN125	428 Cv	370 k _{VS}	1376 Cv	1190 k _{VS}	Non-Spring Return Modulating control	NEMA 2 housing	—

Butterfly Valves

Product Number	Valve Size		Capacity at 60 degrees stroke		Capacity at 90 degrees stroke		Actuator Selection	Type of Enclosure	Includes
	inch	DN	Cv	k _{vs}	Cv	k _{vs}			
VFF6KW1YXA	5 in.	DN125	428 Cv	370 k _{vs}	1376 Cv	1190 k _{vs}	Non-Spring Return 120 Vac Floating control	NEMA 4X (Water tight, corrosion-proof) housing	Anti-condensation heater, manual gear wheel
VFF6KW1YXB	5 in.	DN125	428 Cv	370 k _{vs}	1376 Cv	1190 k _{vs}	Non-Spring Return Modulating control	NEMA 4X (Water tight, corrosion-proof) housing	Anti-condensation heater, manual gear wheel
VFF6LV1Y2A	6 in.	DN150	567 Cv	490 k _{vs}	1850 Cv	1600 k _{vs}	Non-Spring Return Floating control	NEMA 2 housing	—
VFF6LV1Y2B	6 in.	DN150	567 Cv	490 k _{vs}	1850 Cv	1600 k _{vs}	Non-Spring Return Modulating control	NEMA 2 housing	—
VFF6LV1YXA	6 in.	DN150	567 Cv	490 k _{vs}	1850 Cv	1600 k _{vs}	Non-Spring Return 120 Vac Floating control	NEMA 4X (Water tight, corrosion-proof) housing	Anti-condensation heater, manual gear wheel
VFF6LV1YXB	6 in.	DN150	567 Cv	490 k _{vs}	1850 Cv	1600 k _{vs}	Non-Spring Return Modulating control	NEMA 4X (Water tight, corrosion-proof) housing	Anti-condensation heater, manual gear wheel
VFF6LW1YXA	6 in.	DN150	567 Cv	490 k _{vs}	1850 Cv	1600 k _{vs}	Non-Spring Return 120 Vac Floating control	NEMA 4X (Water tight, corrosion-proof) housing	Anti-condensation heater, manual gear wheel
VFF6LW1YXB	6 in.	DN150	567 Cv	490 k _{vs}	1850 Cv	1600 k _{vs}	Non-Spring Return Modulating control	NEMA 4X (Water tight, corrosion-proof) housing	Anti-condensation heater, manual gear wheel
VFF6MV1YXA	8 in.	DN200	1081 Cv	935 k _{vs}	3316 Cv	2868 k _{vs}	Non-Spring Return 120 Vac Floating control	NEMA 4X (Water tight, corrosion-proof) housing	Anti-condensation heater, manual gear wheel
VFF6MV1YXB	8 in.	DN200	1081 Cv	935 k _{vs}	3316 Cv	2868 k _{vs}	Non-Spring Return Modulating control	NEMA 4X (Water tight, corrosion-proof) housing	Anti-condensation heater, manual gear wheel
VFF6MW1YXA	8 in.	DN200	1081 Cv	935 k _{vs}	3316 Cv	2868 k _{vs}	Non-Spring Return 120 Vac Floating control	NEMA 4X (Water tight, corrosion-proof) housing	Anti-condensation heater, manual gear wheel
VFF6MW1YXB	8 in.	DN200	1081 Cv	935 k _{vs}	3316 Cv	2868 k _{vs}	Non-Spring Return Modulating control	NEMA 4X (Water tight, corrosion-proof) housing	Anti-condensation heater, manual gear wheel
VFF6NV1YXA	10 in.	DN250	1710 Cv	1479 k _{vs}	5430 Cv	4697 k _{vs}	Non-Spring Return 120 Vac Floating control	NEMA 4X (Water tight, corrosion-proof) housing	Anti-condensation heater, manual gear wheel
VFF6NV1YXB	10 in.	DN250	1710 Cv	1479 k _{vs}	5430 Cv	4697 k _{vs}	Non-Spring Return Modulating control	NEMA 4X (Water tight, corrosion-proof) housing	Anti-condensation heater, manual gear wheel
VFF6NW1YXA	10 in.	DN250	1710 Cv	1479 k _{vs}	5430 Cv	4697 k _{vs}	Non-Spring Return 120 Vac Floating control	NEMA 4X (Water tight, corrosion-proof) housing	Anti-condensation heater, manual gear wheel
VFF6NW1YXB	10 in.	DN250	1710 Cv	1479 k _{vs}	5430 Cv	4697 k _{vs}	Non-Spring Return Modulating control	NEMA 4X (Water tight, corrosion-proof) housing	Anti-condensation heater, manual gear wheel
VFF6PV1YXA	12 in.	DN300	2563 Cv	2217 k _{vs}	8077 Cv	6987 k _{vs}	Non-Spring Return 120 Vac Floating control	NEMA 4X (Water tight, corrosion-proof) housing	Anti-condensation heater, manual gear wheel
VFF6PV1YXB	12 in.	DN300	2563 Cv	2217 k _{vs}	8077 Cv	6987 k _{vs}	Non-Spring Return Modulating control	NEMA 4X (Water tight, corrosion-proof) housing	Anti-condensation heater, manual gear wheel
VFF6PW1YXA	12 in.	DN300	2563 Cv	2217 k _{vs}	8077 Cv	6987 k _{vs}	Non-Spring Return 120 Vac Floating control	NEMA 4X (Water tight, corrosion-proof) housing	Anti-condensation heater, manual gear wheel
VFF6PW1YXB	12 in.	DN300	2563 Cv	2217 k _{vs}	8077 Cv	6987 k _{vs}	Non-Spring Return Modulating control	NEMA 4X (Water tight, corrosion-proof) housing	Anti-condensation heater, manual gear wheel
VFF6RV1YXA	14 in.	DN350	3384 Cv	2927 k _{vs}	10538 Cv	9115 k _{vs}	Non-Spring Return 120 Vac Floating control	NEMA 4X (Water tight, corrosion-proof) housing	Anti-condensation heater, manual gear wheel
VFF6RV1YXB	14 in.	DN350	3384 Cv	2927 k _{vs}	10538 Cv	9115 k _{vs}	Non-Spring Return Modulating control	NEMA 4X (Water tight, corrosion-proof) housing	Anti-condensation heater, manual gear wheel
VFF6RW1Y4A	14 in.	DN350	3384 Cv	2927 k _{vs}	10538 Cv	9115 k _{vs}	Non-Spring Return 120 Vac Floating control	NEMA 4 (Water tight) housing	Anti-condensation heater, manual gear wheel

Butterfly Valves

Product Number	Valve Size		Capacity at 60 degrees stroke		Capacity at 90 degrees stroke		Actuator Selection	Type of Enclosure	Includes
	inch	DN	Cv	k _{VS}	Cv	k _{VS}			
VFF6RW1Y4B	14 in.	DN350	3384 Cv	2927 k _{VS}	10538 Cv	9115 k _{VS}	Non-Spring Return 20 mA Modulating control	NEMA 4 (Water tight) housing	Anti-condensation heater, manual gear wheel
VFF6SV1YXA	16 in.	DN400	4483 Cv	3878 k _{VS}	13966 Cv	12081 k _{VS}	Non-Spring Return 120 Vac Floating control	NEMA 4X (Water tight, corrosion-proof) housing	Anti-condensation heater, manual gear wheel
VFF6SV1YXB	16 in.	DN400	4483 Cv	3878 k _{VS}	13966 Cv	12081 k _{VS}	Non-Spring Return Modulating control	NEMA 4X (Water tight, corrosion-proof) housing	Anti-condensation heater, manual gear wheel
VFF6SW1Y4A	16 in.	DN400	4483 Cv	3878 k _{VS}	13966 Cv	12081 k _{VS}	Non-Spring Return 120 Vac Floating control	NEMA 4 (Water tight) housing	Anti-condensation heater, manual gear wheel
VFF6SW1Y4B	16 in.	DN400	4483 Cv	3878 k _{VS}	13966 Cv	12081 k _{VS}	Non-Spring Return 20 mA Modulating control	NEMA 4 (Water tight) housing	Anti-condensation heater, manual gear wheel
VFF6TV1Y4A	18 in.	DN450	5736 Cv	4962 k _{VS}	17214 Cv	14890 k _{VS}	Non-Spring Return 120 Vac Floating control	NEMA 4 (Water tight) housing	Anti-condensation heater, manual gear wheel
VFF6TV1Y4B	18 in.	DN450	5736 Cv	4962 k _{VS}	17214 Cv	14890 k _{VS}	Non-Spring Return 20 mA Modulating control	NEMA 4 (Water tight) housing	Anti-condensation heater, manual gear wheel
VFF6TW1Y4A	18 in.	DN450	5736 Cv	4962 k _{VS}	17214 Cv	14890 k _{VS}	Non-Spring Return 120 Vac Floating control	NEMA 4 (Water tight) housing	Anti-condensation heater, manual gear wheel
VFF6TW1Y4B	18 in.	DN450	5736 Cv	4962 k _{VS}	17214 Cv	14890 k _{VS}	Non-Spring Return 20 mA Modulating control	NEMA 4 (Water tight) housing	Anti-condensation heater, manual gear wheel
VFF6UV1Y4A	20 in.	DN500	7144 Cv	6180 k _{VS}	22339 Cv	19323 k _{VS}	Non-Spring Return 120 Vac Floating control	NEMA 4 (Water tight) housing	Anti-condensation heater, manual gear wheel
VFF6UV1Y4B	20 in.	DN500	7144 Cv	6180 k _{VS}	22339 Cv	19323 k _{VS}	Non-Spring Return 20 mA Modulating control	NEMA 4 (Water tight) housing	Anti-condensation heater, manual gear wheel
VFF6UW1Y4A	20 in.	DN500	7144 Cv	6180 k _{VS}	22339 Cv	19323 k _{VS}	Non-Spring Return 120 Vac Floating control	NEMA 4 (Water tight) housing	Anti-condensation heater, manual gear wheel
VFF6UW1Y4B	20 in.	DN500	7144 Cv	6180 k _{VS}	22339 Cv	19323 k _{VS}	Non-Spring Return 20 mA Modulating control	NEMA 4 (Water tight) housing	Anti-condensation heater, manual gear wheel

Valves with Pneumatic Actuator

Type of Enclosure: Pneumatic

Product Number	Valve Size		Capacity at 60 degrees stroke		Capacity at 90 degrees stroke		Actuator Selection	Comments	Includes
	inch	DN	Cv	k _{VS}	Cv	k _{VS}			
VFF6FW1Y8P	2 in.	DN50	61 Cv	53 k _{VS}	Stroke limited to 70 degrees		20 psi spring return	Linear actuator	—
VFF6FW1YCR	2 in.	DN50	61 Cv	53 k _{VS}	144 Cv	125 k _{VS}	2-position, 24 Vac solenoid 80 psi bidirectional	—	Position indicator
VFF6FW1YCS	2 in.	DN50	61 Cv	53 k _{VS}	144 Cv	125 k _{VS}	2-position, 24 Vac solenoid 80 psi spring return	—	Position indicator
VFF6FW1YDR	2 in.	DN50	61 Cv	53 k _{VS}	144 Cv	125 k _{VS}	4-20 mA Servo 80 psi bidirectional	—	Position indicator
VFF6FW1YDS	2 in.	DN50	61 Cv	53 k _{VS}	144 Cv	125 k _{VS}	4-20 mA Servo, 80 psi spring return	—	Position indicator
VFF6FW1YER	2 in.	DN50	61 Cv	53 k _{VS}	144 Cv	125 k _{VS}	2-position, 120 Vac solenoid 80 psi bidirectional	—	Position indicator
VFF6FW1YPP	2 in.	DN50	61 Cv	53 k _{VS}	Stroke limited to 70 degrees		Modulating w/positioner, spring return	Linear actuator	—
VFF6FW1YPR	2 in.	DN50	61 Cv	53 k _{VS}	144 Cv	125 k _{VS}	Modulating w/positioner, bidirectional	—	Position indicator
VFF6FW1YPS	2 in.	DN50	61 Cv	53 k _{VS}	144 Cv	125 k _{VS}	Modulating w/positioner, spring return	—	Position indicator

Butterfly Valves

Product Number	Valve Size		Capacity at 60 degrees stroke		Capacity at 90 degrees stroke		Actuator Selection	Comments	Includes
	inch	DN	Cv	kvs	Cv	kvs			
VFF6FW1YXR	2 in.	DN50	61 Cv	53 kvs	144 Cv	125 kvs	2-position 80 psi bidirectional	—	Position indicator
VFF6FW1YXS	2 in.	DN50	61 Cv	53 kvs	144 Cv	125 kvs	2-position, 80 psi spring return	—	Position indicator
VFF6GW1Y8P	2-1/2 in.	DN65	107 Cv	93 kvs	Stroke limited to 70 degrees		20 psi spring return	Linear actuator	—
VFF6GW1YCR	2-1/2 in.	DN65	107 Cv	93 kvs	282 Cv	244 kvs	2-position, 24 Vac solenoid 80 psi bidirectional	—	Position indicator
VFF6GW1YCS	2-1/2 in.	DN65	107 Cv	93 kvs	282 Cv	244 kvs	2-position, 24 Vac solenoid 80 psi spring return	—	Position indicator
VFF6GW1YDR	2-1/2 in.	DN65	107 Cv	93 kvs	282 Cv	244 kvs	4-20 mA Servo 80 psi bidirectional	—	Position indicator
VFF6GW1YDS	2-1/2 in.	DN65	107 Cv	93 kvs	282 Cv	244 kvs	4-20 mA Servo, 80 psi spring return	—	Position indicator
VFF6GW1YER	2-1/2 in.	DN65	107 Cv	93 kvs	282 Cv	244 kvs	2-position, 120 Vac solenoid 80 psi bidirectional	—	Position indicator
VFF6GW1YES	2-1/2 in.	DN65	107 Cv	93 kvs	282 Cv	244 kvs	2-position, 120 Vac solenoid 80 psi spring return	—	Position indicator
VFF6GW1YPP	2-1/2 in.	DN65	107 Cv	93 kvs	Stroke limited to 70 degrees		Modulating w/positioner, spring return	Linear actuator	—
VFF6GW1YPR	2-1/2 in.	DN65	107 Cv	93 kvs	282 Cv	244 kvs	Modulating w/positioner, bidirectional	—	Position indicator
VFF6GW1YPS	2-1/2 in.	DN65	107 Cv	93 kvs	282 Cv	244 kvs	Modulating w/positioner, spring return	—	Position indicator
VFF6GW1YXR	2-1/2 in.	DN65	107 Cv	93 kvs	282 Cv	244 kvs	2-position 80 psi bidirectional	—	Position indicator
VFF6GW1YXS	2-1/2 in.	DN65	107 Cv	93 kvs	282 Cv	244 kvs	2-position, 80 psi spring return	—	Position indicator
VFF6HW1Y8P	3 in.	DN80	154 Cv	133 kvs	Stroke limited to 70 degrees		20 psi spring return	Linear actuator	—
VFF6HW1YCR	3 in.	DN80	154 Cv	133 kvs	461 Cv	399 kvs	2-position, 24 Vac solenoid 80 psi bidirectional	—	Position indicator
VFF6HW1YCS	3 in.	DN80	154 Cv	133 kvs	461 Cv	399 kvs	2-position, 24 Vac solenoid 80 psi spring return	—	Position indicator
VFF6HW1YDR	3 in.	DN80	154 Cv	133 kvs	461 Cv	399 kvs	4-20 mA Servo 80 psi bidirectional	—	Position indicator
VFF6HW1YDS	3 in.	DN80	154 Cv	133 kvs	461 Cv	399 kvs	4-20 mA Servo, 80 psi spring return	—	Position indicator
VFF6HW1YER	3 in.	DN80	154 Cv	133 kvs	461 Cv	399 kvs	2-position, 120 Vac solenoid 80 psi bidirectional	—	Position indicator
VFF6HW1YES	3 in.	DN80	154 Cv	133 kvs	461 Cv	399 kvs	2-position, 120 Vac solenoid 80 psi spring return	—	Position indicator
VFF6HW1YPP	3 in.	DN80	154 Cv	133 kvs	Stroke limited to 70 degrees		Modulating w/positioner, spring return	Linear actuator	—
VFF6HW1YPR	3 in.	DN80	154 Cv	133 kvs	461 Cv	399 kvs	Modulating w/positioner, bidirectional	—	Position indicator
VFF6HW1YPS	3 in.	DN80	154 Cv	133 kvs	461 Cv	399 kvs	Modulating w/positioner, spring return	—	Position indicator
VFF6HW1YXR	3 in.	DN80	154 Cv	133 kvs	461 Cv	399 kvs	2-position 80 psi bidirectional	—	Position indicator
VFF6HW1YXS	3 in.	DN80	154 Cv	133 kvs	461 Cv	399 kvs	2-position, 80 psi spring return	—	Position indicator
VFF6JV1Y8P	4 in.	DN100	274 Cv	237 kvs	Stroke limited to 70 degrees		20 psi spring return	Linear actuator	—
VFF6JV1YCR	4 in.	DN100	274 Cv	237 kvs	841 Cv	727 kvs	2-position, 24 Vac solenoid 80 psi bidirectional	—	Position indicator
VFF6JV1YCS	4 in.	DN100	274 Cv	237 kvs	841 Cv	727 kvs	2-position, 24 Vac solenoid 80 psi spring return	—	Position indicator
VFF6JV1YDR	4 in.	DN100	274 Cv	237 kvs	841 Cv	727 kvs	4-20 mA Servo 80 psi bidirectional	—	Position indicator

Butterfly Valves

Product Number	Valve Size		Capacity at 60 degrees stroke		Capacity at 90 degrees stroke		Actuator Selection	Comments	Includes
	inch	DN	Cv	k _{VS}	Cv	k _{VS}			
VFF6JV1YDS	4 in.	DN100	274 Cv	237 k _{VS}	841 Cv	727 k _{VS}	4-20 mA Servo, 80 psi spring return	—	Position indicator
VFF6JV1YER	4 in.	DN100	274 Cv	237 k _{VS}	841 Cv	727 k _{VS}	2-position, 120 Vac solenoid 80 psi bidirectional	—	Position indicator
VFF6JV1YES	4 in.	DN100	274 Cv	237 k _{VS}	841 Cv	727 k _{VS}	2-position, 120 Vac solenoid 80 psi spring return	—	Position indicator
VFF6JV1YPP	4 in.	DN100	274 Cv	237 k _{VS}	Stroke limited to 70 degrees		Modulating w/positioner, spring return	Linear actuator	—
VFF6JV1YPR	4 in.	DN100	274 Cv	237 k _{VS}	841 Cv	727 k _{VS}	Modulating w/positioner, bidirectional	—	Position indicator
VFF6JV1YPS	4 in.	DN100	274 Cv	237 k _{VS}	841 Cv	727 k _{VS}	Modulating w/positioner, spring return	—	Position indicator
VFF6JV1YXR	4 in.	DN100	274 Cv	237 k _{VS}	841 Cv	727 k _{VS}	2-position 80 psi bidirectional	—	Position indicator
VFF6JV1YXS	4 in.	DN100	274 Cv	237 k _{VS}	841 Cv	727 k _{VS}	2-position, 80 psi spring return	—	Position indicator
VFF6JW1Y8P	4 in.	DN100	274 Cv	237 k _{VS}	Stroke limited to 70 degrees		20 psi spring return	Linear actuator	—
VFF6JW1YCR	4 in.	DN100	274 Cv	237 k _{VS}	841 Cv	727 k _{VS}	2-position, 24 Vac solenoid 80 psi bidirectional	—	Position indicator
VFF6JW1YCS	4 in.	DN100	274 Cv	237 k _{VS}	841 Cv	727 k _{VS}	2-position, 24 Vac solenoid 80 psi spring return	—	Position indicator
VFF6JW1YDR	4 in.	DN100	274 Cv	237 k _{VS}	841 Cv	727 k _{VS}	4-20 mA Servo 80 psi bidirectional	—	Position indicator
VFF6JW1YDS	4 in.	DN100	274 Cv	237 k _{VS}	841 Cv	727 k _{VS}	4-20 mA Servo, 80 psi spring return	—	Position indicator
VFF6JW1YER	4 in.	DN100	274 Cv	237 k _{VS}	841 Cv	727 k _{VS}	2-position, 120 Vac solenoid 80 psi bidirectional	—	Position indicator
VFF6JW1YES	4 in.	DN100	274 Cv	237 k _{VS}	841 Cv	727 k _{VS}	2-position, 120 Vac solenoid 80 psi spring return	—	Position indicator
VFF6JW1YPP	4 in.	DN100	274 Cv	237 k _{VS}	Stroke limited to 70 degrees		Modulating w/positioner, spring return	Linear actuator	—
VFF6JW1YPR	4 in.	DN100	274 Cv	237 k _{VS}	841 Cv	727 k _{VS}	Modulating w/positioner, bidirectional	—	Position indicator
VFF6JW1YPS	4 in.	DN100	274 Cv	237 k _{VS}	841 Cv	727 k _{VS}	Modulating w/positioner, spring return	—	Position indicator
VFF6JW1YXR	4 in.	DN100	274 Cv	237 k _{VS}	841 Cv	727 k _{VS}	2-position 80 psi bidirectional	—	Position indicator
VFF6JW1YXS	4 in.	DN100	274 Cv	237 k _{VS}	841 Cv	727 k _{VS}	2-position, 80 psi spring return	—	Position indicator
VFF6KV1YCR	5 in.	DN125	428 Cv	370 k _{VS}	1376 Cv	1190 k _{VS}	2-position, 24 Vac solenoid 80 psi bidirectional	—	Position indicator
VFF6KV1YCS	5 in.	DN125	428 Cv	370 k _{VS}	1376 Cv	1190 k _{VS}	2-position, 24 Vac solenoid 80 psi spring return	—	Position indicator
VFF6KV1YDR	5 in.	DN125	428 Cv	370 k _{VS}	1376 Cv	1190 k _{VS}	4-20 mA Servo 80 psi bidirectional	—	Position indicator
VFF6KV1YDS	5 in.	DN125	428 Cv	370 k _{VS}	1376 Cv	1190 k _{VS}	4-20 mA Servo, 80 psi spring return	—	Position indicator
VFF6KV1YER	5 in.	DN125	428 Cv	370 k _{VS}	1376 Cv	1190 k _{VS}	2-position, 120 Vac solenoid 80 psi bidirectional	—	Position indicator
VFF6KV1YES	5 in.	DN125	428 Cv	370 k _{VS}	1376 Cv	1190 k _{VS}	2-position, 120 Vac solenoid 80 psi spring return	—	Position indicator
VFF6KV1YPR	5 in.	DN125	428 Cv	370 k _{VS}	1376 Cv	1190 k _{VS}	Modulating w/positioner, bidirectional	—	Position indicator
VFF6KV1YPS	5 in.	DN125	428 Cv	370 k _{VS}	1376 Cv	1190 k _{VS}	Modulating w/positioner, spring return	—	Position indicator
VFF6KV1YXR	5 in.	DN125	428 Cv	370 k _{VS}	1376 Cv	1190 k _{VS}	2-position 80 psi bidirectional	—	Position indicator
VFF6KV1YXS	5 in.	DN125	428 Cv	370 k _{VS}	1376 Cv	1190 k _{VS}	2-position, 80 psi spring return	—	Position indicator

Butterfly Valves

Product Number	Valve Size		Capacity at 60 degrees stroke		Capacity at 90 degrees stroke		Actuator Selection	Comments	Includes
	inch	DN	Cv	kvs	Cv	kvs			
VFF6KW1Y8P	5 in.	DN125	428 Cv	370 kvs	Stroke limited to 70 degrees		20 psi spring return	Linear actuator	—
VFF6KW1YCR	5 in.	DN125	428 Cv	370 kvs	1376 Cv	1190 kvs	2-position, 24 Vac solenoid 80 psi bidirectional	—	Position indicator
VFF6KW1YCS	5 in.	DN125	428 Cv	370 kvs	1376 Cv	1190 kvs	2-position, 24 Vac solenoid 80 psi spring return	—	Position indicator
VFF6KW1YDR	5 in.	DN125	428 Cv	370 kvs	1376 Cv	1190 kvs	4-20 mA Servo 80 psi bidirectional	—	Position indicator
VFF6KW1YDS	5 in.	DN125	428 Cv	370 kvs	1376 Cv	1190 kvs	4-20 mA Servo, 80 psi spring return	—	Position indicator
VFF6KW1YER	5 in.	DN125	428 Cv	370 kvs	1376 Cv	1190 kvs	2-position, 120 Vac solenoid 80 psi bidirectional	—	Position indicator
VFF6KW1YES	5 in.	DN125	428 Cv	370 kvs	1376 Cv	1190 kvs	2-position, 120 Vac solenoid 80 psi spring return	—	Position indicator
VFF6KW1YPP	5 in.	DN125	428 Cv	370 kvs	Stroke limited to 70 degrees		Modulating w/positioner, spring return	Linear actuator	—
VFF6KW1YPR	5 in.	DN125	428 Cv	370 kvs	1376 Cv	1190 kvs	Modulating w/positioner, bidirectional	—	Position indicator
VFF6KW1YPS	5 in.	DN125	428 Cv	370 kvs	1376 Cv	1190 kvs	Modulating w/positioner, spring return	—	Position indicator
VFF6KW1YXR	5 in.	DN125	428 Cv	370 kvs	1376 Cv	1190 kvs	2-position 80 psi bidirectional	—	Position indicator
VFF6KW1YXS	5 in.	DN125	428 Cv	370 kvs	1376 Cv	1190 kvs	2-position, 80 psi spring return	—	Position indicator
VFF6LV1Y8P	6 in.	DN150	567 Cv	490 kvs	Stroke limited to 70 degrees		20 psi spring return	Linear actuator	—
VFF6LV1YCR	6 in.	DN150	567 Cv	490 kvs	1850 Cv	1600 kvs	2-position, 24 Vac solenoid 80 psi bidirectional	—	Position indicator
VFF6LV1YCS	6 in.	DN150	567 Cv	490 kvs	1850 Cv	1600 kvs	2-position, 24 Vac solenoid 80 psi spring return	—	Position indicator
VFF6LV1YDR	6 in.	DN150	567 Cv	490 kvs	1850 Cv	1600 kvs	4-20 mA Servo 80 psi bidirectional	—	Position indicator
VFF6LV1YDS	6 in.	DN150	567 Cv	490 kvs	1850 Cv	1600 kvs	4-20 mA Servo, 80 psi spring return	—	Position indicator
VFF6LV1YER	6 in.	DN150	567 Cv	490 kvs	1850 Cv	1600 kvs	2-position, 120 Vac solenoid 80 psi bidirectional	—	Position indicator
VFF6LV1YES	6 in.	DN150	567 Cv	490 kvs	1850 Cv	1600 kvs	2-position, 120 Vac solenoid 80 psi spring return	—	Position indicator
VFF6LV1YPP	6 in.	DN150	567 Cv	490 kvs	Stroke limited to 70 degrees		Modulating w/positioner, spring return	Linear actuator	—
VFF6LV1YPR	6 in.	DN150	567 Cv	490 kvs	1850 Cv	1600 kvs	Modulating w/positioner, bidirectional	—	Position indicator
VFF6LV1YPS	6 in.	DN150	567 Cv	490 kvs	1850 Cv	1600 kvs	Modulating w/positioner, spring return	—	Position indicator
VFF6LV1YXR	6 in.	DN150	567 Cv	490 kvs	1850 Cv	1600 kvs	2-position 80 psi bidirectional	—	Position indicator
VFF6LV1YXS	6 in.	DN150	567 Cv	490 kvs	1850 Cv	1600 kvs	2-position, 80 psi spring return	—	Position indicator
VFF6LW1Y8P	6 in.	DN150	567 Cv	490 kvs	Stroke limited to 70 degrees		20 psi spring return	Linear actuator	—
VFF6LW1YCR	6 in.	DN150	567 Cv	490 kvs	1850 Cv	1600 kvs	2-position, 24 Vac solenoid 80 psi bidirectional	—	Position indicator
VFF6LW1YCS	6 in.	DN150	567 Cv	490 kvs	1850 Cv	1600 kvs	2-position, 24 Vac solenoid 80 psi spring return	—	Position indicator
VFF6LW1YDR	6 in.	DN150	567 Cv	490 kvs	1850 Cv	1600 kvs	4-20 mA Servo 80 psi bidirectional	—	Position indicator
VFF6LW1YDS	6 in.	DN150	567 Cv	490 kvs	1850 Cv	1600 kvs	4-20 mA Servo, 80 psi spring return	—	Position indicator
VFF6LW1YER	6 in.	DN150	567 Cv	490 kvs	1850 Cv	1600 kvs	2-position, 120 Vac solenoid 80 psi bidirectional	—	Position indicator

Butterfly Valves

Product Number	Valve Size		Capacity at 60 degrees stroke		Capacity at 90 degrees stroke		Actuator Selection	Comments	Includes
	inch	DN	Cv	k _{VS}	Cv	k _{VS}			
VFF6LW1YES	6 in.	DN150	567 Cv	490 k _{VS}	1850 Cv	1600 k _{VS}	2-position, 120 Vac solenoid 80 psi spring return	—	Position indicator
VFF6LW1YPP	6 in.	DN150	567 Cv	490 k _{VS}	Stroke limited to 70 degrees		Modulating w/positioner, spring return	Linear actuator	—
VFF6LW1YPR	6 in.	DN150	567 Cv	490 k _{VS}	1850 Cv	1600 k _{VS}	Modulating w/positioner, bidirectional	—	Position indicator
VFF6LW1YPS	6 in.	DN150	567 Cv	490 k _{VS}	1850 Cv	1600 k _{VS}	Modulating w/positioner, spring return	—	Position indicator
VFF6LW1YXR	6 in.	DN150	567 Cv	490 k _{VS}	1850 Cv	1600 k _{VS}	2-position 80 psi bidirectional	—	Position indicator
VFF6LW1YXS	6 in.	DN150	567 Cv	490 k _{VS}	1850 Cv	1600 k _{VS}	2-position, 80 psi spring return	—	Position indicator
VFF6MV1Y8P	8 in.	DN200	1081 Cv	935 k _{VS}	Stroke limited to 70 degrees		20 psi spring return	Linear actuator	—
VFF6MV1YCR	8 in.	DN200	1081 Cv	935 k _{VS}	3316 Cv	2868 k _{VS}	2-position, 24 Vac solenoid 80 psi bidirectional	—	Position indicator
VFF6MV1YCS	8 in.	DN200	1081 Cv	935 k _{VS}	3316 Cv	2868 k _{VS}	2-position, 24 Vac solenoid 80 psi spring return	—	Position indicator
VFF6MV1YDR	8 in.	DN200	1081 Cv	935 k _{VS}	3316 Cv	2868 k _{VS}	4-20 mA Servo 80 psi bidirectional	—	Position indicator
VFF6MV1YDS	8 in.	DN200	1081 Cv	935 k _{VS}	3316 Cv	2868 k _{VS}	4-20 mA Servo, 80 psi spring return	—	Position indicator
VFF6MV1YER	8 in.	DN200	1081 Cv	935 k _{VS}	3316 Cv	2868 k _{VS}	2-position, 120 Vac solenoid 80 psi bidirectional	—	Position indicator
VFF6MV1YES	8 in.	DN200	1081 Cv	935 k _{VS}	3316 Cv	2868 k _{VS}	2-position, 120 Vac solenoid 80 psi spring return	—	Position indicator
VFF6MV1YPP	8 in.	DN200	1081 Cv	935 k _{VS}	Stroke limited to 70 degrees		Modulating w/positioner, spring return	Linear actuator	—
VFF6MV1YPR	8 in.	DN200	1081 Cv	935 k _{VS}	3316 Cv	2868 k _{VS}	Modulating w/positioner, bidirectional	—	Position indicator
VFF6MV1YPS	8 in.	DN200	1081 Cv	935 k _{VS}	3316 Cv	2868 k _{VS}	Modulating w/positioner, spring return	—	Position indicator
VFF6MV1YXR	8 in.	DN200	1081 Cv	935 k _{VS}	3316 Cv	2868 k _{VS}	2-position 80 psi bidirectional	—	Position indicator
VFF6MV1YXS	8 in.	DN200	1081 Cv	935 k _{VS}	3316 Cv	2868 k _{VS}	2-position, 80 psi spring return	—	Position indicator
VFF6MW1YCR	8 in.	DN200	1081 Cv	935 k _{VS}	3316 Cv	2868 k _{VS}	2-position, 24 Vac solenoid 80 psi bidirectional	—	Position indicator
VFF6MW1YCS	8 in.	DN200	1081 Cv	935 k _{VS}	3316 Cv	2868 k _{VS}	2-position, 24 Vac solenoid 80 psi spring return	—	Position indicator
VFF6MW1YDR	8 in.	DN200	1081 Cv	935 k _{VS}	3316 Cv	2868 k _{VS}	4-20 mA Servo 80 psi bidirectional	—	Position indicator
VFF6MW1YDS	8 in.	DN200	1081 Cv	935 k _{VS}	3316 Cv	2868 k _{VS}	4-20 mA Servo, 80 psi spring return	—	Position indicator
VFF6MW1YER	8 in.	DN200	1081 Cv	935 k _{VS}	3316 Cv	2868 k _{VS}	2-position, 120 Vac solenoid 80 psi bidirectional	—	Position indicator
VFF6MW1YES	8 in.	DN200	1081 Cv	935 k _{VS}	3316 Cv	2868 k _{VS}	2-position, 120 Vac solenoid 80 psi spring return	—	Position indicator
VFF6MW1YPR	8 in.	DN200	1081 Cv	935 k _{VS}	3316 Cv	2868 k _{VS}	Modulating w/positioner, bidirectional	—	Position indicator
VFF6MW1YPS	8 in.	DN200	1081 Cv	935 k _{VS}	3316 Cv	2868 k _{VS}	Modulating w/positioner, spring return	—	Position indicator
VFF6MW1YXR	8 in.	DN200	1081 Cv	935 k _{VS}	3316 Cv	2868 k _{VS}	2-position 80 psi bidirectional	—	Position indicator
VFF6MW1YXS	8 in.	DN200	1081 Cv	935 k _{VS}	3316 Cv	2868 k _{VS}	2-position, 80 psi spring return	—	Position indicator
VFF6NV1YCR	10 in.	DN250	1710 Cv	1479 k _{VS}	5430 Cv	4697 k _{VS}	2-position, 24 Vac solenoid 80 psi bidirectional	—	Position indicator
VFF6NV1YCS	10 in.	DN250	1710 Cv	1479 k _{VS}	5430 Cv	4697 k _{VS}	2-position, 24 Vac solenoid 80 psi spring return	—	Position indicator

Butterfly Valves

Product Number	Valve Size		Capacity at 60 degrees stroke		Capacity at 90 degrees stroke		Actuator Selection	Comments	Includes
	inch	DN	Cv	kvs	Cv	kvs			
VFF6NV1YDR	10 in.	DN250	1710 Cv	1479 k _{VS}	5430 Cv	4697 k _{VS}	4-20 mA Servo 80 psi bidirectional	—	Position indicator
VFF6NV1YDS	10 in.	DN250	1710 Cv	1479 k _{VS}	5430 Cv	4697 k _{VS}	4-20 mA Servo, 80 psi spring return	—	Position indicator
VFF6NV1YER	10 in.	DN250	1710 Cv	1479 k _{VS}	5430 Cv	4697 k _{VS}	2-position, 120 Vac solenoid 80 psi bidirectional	—	Position indicator
VFF6NV1YES	10 in.	DN250	1710 Cv	1479 k _{VS}	5430 Cv	4697 k _{VS}	2-position, 120 Vac solenoid 80 psi spring return	—	Position indicator
VFF6NV1YPR	10 in.	DN250	1710 Cv	1479 k _{VS}	5430 Cv	4697 k _{VS}	Modulating w/positioner, bidirectional	—	Position indicator
VFF6NV1YPS	10 in.	DN250	1710 Cv	1479 k _{VS}	5430 Cv	4697 k _{VS}	Modulating w/positioner, spring return	—	Position indicator
VFF6NV1YXR	10 in.	DN250	1710 Cv	1479 k _{VS}	5430 Cv	4697 k _{VS}	2-position 80 psi bidirectional	—	Position indicator
VFF6NV1YXS	10 in.	DN250	1710 Cv	1479 k _{VS}	5430 Cv	4697 k _{VS}	2-position, 80 psi spring return	—	Position indicator
VFF6NW1YCR	10 in.	DN250	1710 Cv	1479 k _{VS}	5430 Cv	4697 k _{VS}	2-position, 24 Vac solenoid 80 psi bidirectional	—	Position indicator
VFF6NW1YCS	10 in.	DN250	1710 Cv	1479 k _{VS}	5430 Cv	4697 k _{VS}	2-position, 24 Vac solenoid 80 psi spring return	—	Position indicator
VFF6NW1YDR	10 in.	DN250	1710 Cv	1479 k _{VS}	5430 Cv	4697 k _{VS}	4-20 mA Servo 80 psi bidirectional	—	Position indicator
VFF6NW1YDS	10 in.	DN250	1710 Cv	1479 k _{VS}	5430 Cv	4697 k _{VS}	4-20 mA Servo, 80 psi spring return	—	Position indicator
VFF6NW1YER	10 in.	DN250	1710 Cv	1479 k _{VS}	5430 Cv	4697 k _{VS}	2-position, 120 Vac solenoid 80 psi bidirectional	—	Position indicator
VFF6NW1YES	10 in.	DN250	1710 Cv	1479 k _{VS}	5430 Cv	4697 k _{VS}	2-position, 120 Vac solenoid 80 psi spring return	—	Position indicator
VFF6NW1YPR	10 in.	DN250	1710 Cv	1479 k _{VS}	5430 Cv	4697 k _{VS}	Modulating w/positioner, bidirectional	—	Position indicator
VFF6NW1YPS	10 in.	DN250	1710 Cv	1479 k _{VS}	5430 Cv	4697 k _{VS}	Modulating w/positioner, spring return	—	Position indicator
VFF6NW1YXR	10 in.	DN250	1710 Cv	1479 k _{VS}	5430 Cv	4697 k _{VS}	2-position 80 psi bidirectional	—	Position indicator
VFF6NW1YXS	10 in.	DN250	1710 Cv	1479 k _{VS}	5430 Cv	4697 k _{VS}	2-position, 80 psi spring return	—	Position indicator
VFF6PV1YCR	12 in.	DN300	2563 Cv	2217 k _{VS}	8077 Cv	6987 k _{VS}	2-position, 24 Vac solenoid 80 psi bidirectional	—	Position indicator
VFF6PV1YCS	12 in.	DN300	2563 Cv	2217 k _{VS}	8077 Cv	6987 k _{VS}	2-position, 24 Vac solenoid 80 psi spring return	—	Position indicator
VFF6PV1YDR	12 in.	DN300	2563 Cv	2217 k _{VS}	8077 Cv	6987 k _{VS}	4-20 mA Servo 80 psi bidirectional	—	Position indicator
VFF6PV1YDS	12 in.	DN300	2563 Cv	2217 k _{VS}	8077 Cv	6987 k _{VS}	4-20 mA Servo, 80 psi spring return	—	Position indicator
VFF6PV1YER	12 in.	DN300	2563 Cv	2217 k _{VS}	8077 Cv	6987 k _{VS}	2-position, 120 Vac solenoid 80 psi bidirectional	—	Position indicator
VFF6PV1YES	12 in.	DN300	2563 Cv	2217 k _{VS}	8077 Cv	6987 k _{VS}	2-position, 120 Vac solenoid 80 psi spring return	—	Position indicator
VFF6PV1YPR	12 in.	DN300	2563 Cv	2217 k _{VS}	8077 Cv	6987 k _{VS}	Modulating w/positioner, bidirectional	—	Position indicator
VFF6PV1YPS	12 in.	DN300	2563 Cv	2217 k _{VS}	8077 Cv	6987 k _{VS}	Modulating w/positioner, spring return	—	Position indicator
VFF6PV1YXR	12 in.	DN300	2563 Cv	2217 k _{VS}	8077 Cv	6987 k _{VS}	2-position 80 psi bidirectional	—	Position indicator
VFF6PV1YXS	12 in.	DN300	2563 Cv	2217 k _{VS}	8077 Cv	6987 k _{VS}	2-position, 80 psi spring return	—	Position indicator
VFF6PW1YCR	12 in.	DN300	2563 Cv	2217 k _{VS}	8077 Cv	6987 k _{VS}	2-position, 24 Vac solenoid 80 psi bidirectional	—	Position indicator
VFF6PW1YCS	12 in.	DN300	2563 Cv	2217 k _{VS}	8077 Cv	6987 k _{VS}	2-position, 24 Vac solenoid 80 psi spring return	—	Position indicator

Butterfly Valves

Product Number	Valve Size		Capacity at 60 degrees stroke		Capacity at 90 degrees stroke		Actuator Selection	Comments	Includes
	inch	DN	Cv	k _{VS}	Cv	k _{VS}			
VFF6PW1YDR	12 in.	DN300	2563 Cv	2217 k _{VS}	8077 Cv	6987 k _{VS}	4-20 mA Servo 80 psi bidirectional	—	Position indicator
VFF6PW1YDS	12 in.	DN300	2563 Cv	2217 k _{VS}	8077 Cv	6987 k _{VS}	4-20 mA Servo, 80 psi spring return	—	Position indicator
VFF6PW1YER	12 in.	DN300	2563 Cv	2217 k _{VS}	8077 Cv	6987 k _{VS}	2-position, 120 Vac solenoid 80 psi bidirectional	—	Position indicator
VFF6PW1YES	12 in.	DN300	2563 Cv	2217 k _{VS}	8077 Cv	6987 k _{VS}	2-position, 120 Vac solenoid 80 psi spring return	—	Position indicator
VFF6PW1YPR	12 in.	DN300	2563 Cv	2217 k _{VS}	8077 Cv	6987 k _{VS}	Modulating w/positioner, bidirectional	—	Position indicator
VFF6PW1YPS	12 in.	DN300	2563 Cv	2217 k _{VS}	8077 Cv	6987 k _{VS}	Modulating w/positioner, spring return	—	Position indicator
VFF6PW1YXR	12 in.	DN300	2563 Cv	2217 k _{VS}	8077 Cv	6987 k _{VS}	2-position 80 psi bidirectional	—	Position indicator
VFF6PW1YXS	12 in.	DN300	2563 Cv	2217 k _{VS}	8077 Cv	6987 k _{VS}	2-position, 80 psi spring return	—	Position indicator
VFF6RV1YCR	14 in.	DN350	3384 Cv	2927 k _{VS}	10538 Cv	9115 k _{VS}	2-position, 24 Vac solenoid 80 psi bidirectional	—	Position indicator
VFF6RV1YCS	14 in.	DN350	3384 Cv	2927 k _{VS}	10538 Cv	9115 k _{VS}	2-position, 24 Vac solenoid 80 psi spring return	—	Position indicator
VFF6RV1YDR	14 in.	DN350	3384 Cv	2927 k _{VS}	10538 Cv	9115 k _{VS}	4-20 mA Servo 80 psi bidirectional	—	Position indicator
VFF6RV1YDS	14 in.	DN350	3384 Cv	2927 k _{VS}	10538 Cv	9115 k _{VS}	4-20 mA Servo, 80 psi spring return	—	Position indicator
VFF6RV1YER	14 in.	DN350	3384 Cv	2927 k _{VS}	10538 Cv	9115 k _{VS}	2-position, 120 Vac solenoid 80 psi bidirectional	—	Position indicator
VFF6RV1YES	14 in.	DN350	3384 Cv	2927 k _{VS}	10538 Cv	9115 k _{VS}	2-position, 120 Vac solenoid 80 psi spring return	—	Position indicator
VFF6RV1YPR	14 in.	DN350	3384 Cv	2927 k _{VS}	10538 Cv	9115 k _{VS}	Modulating w/positioner, bidirectional	—	Position indicator
VFF6RV1YPS	14 in.	DN350	3384 Cv	2927 k _{VS}	10538 Cv	9115 k _{VS}	Modulating w/positioner, spring return	—	Position indicator
VFF6RV1YXR	14 in.	DN350	3384 Cv	2927 k _{VS}	10538 Cv	9115 k _{VS}	2-position 80 psi bidirectional	—	Position indicator
VFF6RV1YXS	14 in.	DN350	3384 Cv	2927 k _{VS}	10538 Cv	9115 k _{VS}	2-position, 80 psi spring return	—	Position indicator
VFF6RW1YCR	14 in.	DN350	3384 Cv	2927 k _{VS}	10538 Cv	9115 k _{VS}	2-position, 24 Vac solenoid 80 psi bidirectional	—	Position indicator
VFF6RW1YCS	14 in.	DN350	3384 Cv	2927 k _{VS}	10538 Cv	9115 k _{VS}	2-position, 24 Vac solenoid 80 psi spring return	—	Position indicator
VFF6RW1YDR	14 in.	DN350	3384 Cv	2927 k _{VS}	10538 Cv	9115 k _{VS}	4-20 mA Servo 80 psi bidirectional	—	Position indicator
VFF6RW1YDS	14 in.	DN350	3384 Cv	2927 k _{VS}	10538 Cv	9115 k _{VS}	4-20 mA Servo, 80 psi spring return	—	Position indicator
VFF6RW1YER	14 in.	DN350	3384 Cv	2927 k _{VS}	10538 Cv	9115 k _{VS}	2-position, 120 Vac solenoid 80 psi bidirectional	—	Position indicator
VFF6RW1YES	14 in.	DN350	3384 Cv	2927 k _{VS}	10538 Cv	9115 k _{VS}	2-position, 120 Vac solenoid 80 psi spring return	—	Position indicator
VFF6RW1YPR	14 in.	DN350	3384 Cv	2927 k _{VS}	10538 Cv	9115 k _{VS}	Modulating w/positioner, bidirectional	—	Position indicator
VFF6RW1YPS	14 in.	DN350	3384 Cv	2927 k _{VS}	10538 Cv	9115 k _{VS}	Modulating w/positioner, spring return	—	Position indicator
VFF6RW1YXR	14 in.	DN350	3384 Cv	2927 k _{VS}	10538 Cv	9115 k _{VS}	2-position 80 psi bidirectional	—	Position indicator
VFF6RW1YXS	14 in.	DN350	3384 Cv	2927 k _{VS}	10538 Cv	9115 k _{VS}	2-position, 80 psi spring return	—	Position indicator
VFF6SV1YCR	16 in.	DN400	4483 Cv	3878 k _{VS}	13966 Cv	12081 k _{VS}	2-position, 24 Vac solenoid 80 psi bidirectional	—	Position indicator
VFF6SV1YCS	16 in.	DN400	4483 Cv	3878 k _{VS}	13966 Cv	12081 k _{VS}	2-position, 24 Vac solenoid 80 psi spring return	—	Position indicator

Butterfly Valves

Product Number	Valve Size		Capacity at 60 degrees stroke		Capacity at 90 degrees stroke		Actuator Selection	Comments	Includes
	inch	DN	Cv	kvs	Cv	kvs			
VFF6SV1YDR	16 in.	DN400	4483 Cv	3878 kvs	13966 Cv	12081 kvs	4-20 mA Servo 80 psi bidirectional	—	Position indicator
VFF6SV1YDS	16 in.	DN400	4483 Cv	3878 kvs	13966 Cv	12081 kvs	4-20 mA Servo, 80 psi spring return	—	Position indicator
VFF6SV1YER	16 in.	DN400	4483 Cv	3878 kvs	13966 Cv	12081 kvs	2-position, 120 Vac solenoid 80 psi bidirectional	—	Position indicator
VFF6SV1YES	16 in.	DN400	4483 Cv	3878 kvs	13966 Cv	12081 kvs	2-position, 120 Vac solenoid 80 psi spring return	—	Position indicator
VFF6SV1YPR	16 in.	DN400	4483 Cv	3878 kvs	13966 Cv	12081 kvs	Modulating w/positioner, bidirectional	—	Position indicator
VFF6SV1YPS	16 in.	DN400	4483 Cv	3878 kvs	13966 Cv	12081 kvs	Modulating w/positioner, spring return	—	Position indicator
VFF6SV1YXR	16 in.	DN400	4483 Cv	3878 kvs	13966 Cv	12081 kvs	2-position 80 psi bidirectional	—	Position indicator
VFF6SV1YXS	16 in.	DN400	4483 Cv	3878 kvs	13966 Cv	12081 kvs	2-position, 80 psi spring return	—	Position indicator
VFF6SW1YCR	16 in.	DN400	4483 Cv	3878 kvs	13966 Cv	12081 kvs	2-position, 24 Vac solenoid 80 psi bidirectional	—	Position indicator
VFF6SW1YDR	16 in.	DN400	4483 Cv	3878 kvs	13966 Cv	12081 kvs	4-20 mA Servo 80 psi bidirectional	—	Position indicator
VFF6SW1YER	16 in.	DN400	4483 Cv	3878 kvs	13966 Cv	12081 kvs	2-position, 120 Vac solenoid 80 psi bidirectional	—	Position indicator
VFF6SW1YPR	16 in.	DN400	4483 Cv	3878 kvs	13966 Cv	12081 kvs	Modulating w/positioner, bidirectional	—	Position indicator
VFF6SW1YXR	16 in.	DN400	4483 Cv	3878 kvs	13966 Cv	12081 kvs	2-position 80 psi bidirectional	—	Position indicator
VFF6TV1YCR	18 in.	DN450	5736 Cv	4962 kvs	17214 Cv	14890 kvs	2-position, 24 Vac solenoid 80 psi bidirectional	—	Position indicator
VFF6TV1YCS	18 in.	DN450	5736 Cv	4962 kvs	17214 Cv	14890 kvs	2-position, 24 Vac solenoid 80 psi spring return	—	Position indicator
VFF6TV1YDR	18 in.	DN450	5736 Cv	4962 kvs	17214 Cv	14890 kvs	4-20 mA Servo 80 psi bidirectional	—	Position indicator
VFF6TV1YDS	18 in.	DN450	5736 Cv	4962 kvs	17214 Cv	14890 kvs	4-20 mA Servo, 80 psi spring return	—	Position indicator
VFF6TV1YER	18 in.	DN450	5736 Cv	4962 kvs	17214 Cv	14890 kvs	2-position, 120 Vac solenoid 80 psi bidirectional	—	Position indicator
VFF6TV1YES	18 in.	DN450	5736 Cv	4962 kvs	17214 Cv	14890 kvs	2-position, 120 Vac solenoid 80 psi spring return	—	Position indicator
VFF6TV1YPR	18 in.	DN450	5736 Cv	4962 kvs	17214 Cv	14890 kvs	Modulating w/positioner, bidirectional	—	Position indicator
VFF6TV1YPS	18 in.	DN450	5736 Cv	4962 kvs	17214 Cv	14890 kvs	Modulating w/positioner, spring return	—	Position indicator
VFF6TV1YXR	18 in.	DN450	5736 Cv	4962 kvs	17214 Cv	14890 kvs	2-position 80 psi bidirectional	—	Position indicator
VFF6TV1YXS	18 in.	DN450	5736 Cv	4962 kvs	17214 Cv	14890 kvs	2-position, 80 psi spring return	—	Position indicator
VFF6TW1YCR	18 in.	DN450	5736 Cv	4962 kvs	17214 Cv	14890 kvs	2-position, 24 Vac solenoid 80 psi bidirectional	—	Position indicator
VFF6TW1YDR	18 in.	DN450	5736 Cv	4962 kvs	17214 Cv	14890 kvs	4-20 mA Servo 80 psi bidirectional	—	Position indicator
VFF6TW1YER	18 in.	DN450	5736 Cv	4962 kvs	17214 Cv	14890 kvs	2-position, 120 Vac solenoid 80 psi bidirectional	—	Position indicator
VFF6TW1YPR	18 in.	DN450	5736 Cv	4962 kvs	17214 Cv	14890 kvs	Modulating w/positioner, bidirectional	—	Position indicator
VFF6TW1YXR	18 in.	DN450	5736 Cv	4962 kvs	17214 Cv	14890 kvs	2-position 80 psi bidirectional	—	Position indicator
VFF6UV1YCR	20 in.	DN500	7144 Cv	6180 kvs	22339 Cv	19323 kvs	2-position, 24 Vac solenoid 80 psi bidirectional	—	Position indicator
VFF6UV1YCS	20 in.	DN500	7144 Cv	6180 kvs	22339 Cv	19323 kvs	2-position, 24 Vac solenoid 80 psi spring return	—	Position indicator

Butterfly Valves

Product Number	Valve Size		Capacity at 60 degrees stroke		Capacity at 90 degrees stroke		Actuator Selection	Comments	Includes
	inch	DN	Cv	kvs	Cv	kvs			
VFF6UV1YDR	20 in.	DN500	7144 Cv	6180 k _{VS}	22339 Cv	19323 k _{VS}	4-20 mA Servo 80 psi bidirectional	—	Position indicator
VFF6UV1YDS	20 in.	DN500	7144 Cv	6180 k _{VS}	22339 Cv	19323 k _{VS}	4-20 mA Servo, 80 psi spring return	—	Position indicator
VFF6UV1YER	20 in.	DN500	7144 Cv	6180 k _{VS}	22339 Cv	19323 k _{VS}	2-position, 120 Vac solenoid 80 psi bidirectional	—	Position indicator
VFF6UV1YES	20 in.	DN500	7144 Cv	6180 k _{VS}	22339 Cv	19323 k _{VS}	2-position, 120 Vac solenoid 80 psi spring return	—	Position indicator
VFF6UV1YPR	20 in.	DN500	7144 Cv	6180 k _{VS}	22339 Cv	19323 k _{VS}	Modulating w/positioner, bidirectional	—	Position indicator
VFF6UV1YPS	20 in.	DN500	7144 Cv	6180 k _{VS}	22339 Cv	19323 k _{VS}	Modulating w/positioner, spring return	—	Position indicator
VFF6UV1YXR	20 in.	DN500	7144 Cv	6180 k _{VS}	22339 Cv	19323 k _{VS}	2-position 80 psi bidirectional	—	Position indicator
VFF6UV1YXS	20 in.	DN500	7144 Cv	6180 k _{VS}	22339 Cv	19323 k _{VS}	2-position, 80 psi spring return	—	Position indicator
VFF6UW1YCR	20 in.	DN500	7144 Cv	6180 k _{VS}	22339 Cv	19323 k _{VS}	2-position, 24 Vac solenoid 80 psi bidirectional	—	Position indicator
VFF6UW1YDR	20 in.	DN500	7144 Cv	6180 k _{VS}	22339 Cv	19323 k _{VS}	4-20 mA Servo 80 psi bidirectional	—	Position indicator
VFF6UW1YER	20 in.	DN500	7144 Cv	6180 k _{VS}	22339 Cv	19323 k _{VS}	2-position, 120 Vac solenoid 80 psi bidirectional	—	Position indicator
VFF6UW1YPR	20 in.	DN500	7144 Cv	6180 k _{VS}	22339 Cv	19323 k _{VS}	Modulating w/positioner, bidirectional	—	Position indicator
VFF6UW1YXR	20 in.	DN500	7144 Cv	6180 k _{VS}	22339 Cv	19323 k _{VS}	2-position 80 psi bidirectional	—	Position indicator