

T184.502 Bath/Shower Trim Shown

GENERAL DESCRIPTION:

SHOWERHEAD

Brass 8" Square Rain Showerhead at maximum 2.5 gpm/9.5 L/min. flow rate. 12" Brass right angle shower arm.

WALL TUB SPOUT

Metal slip-on diverter spout.

WALL VALVE TRIM

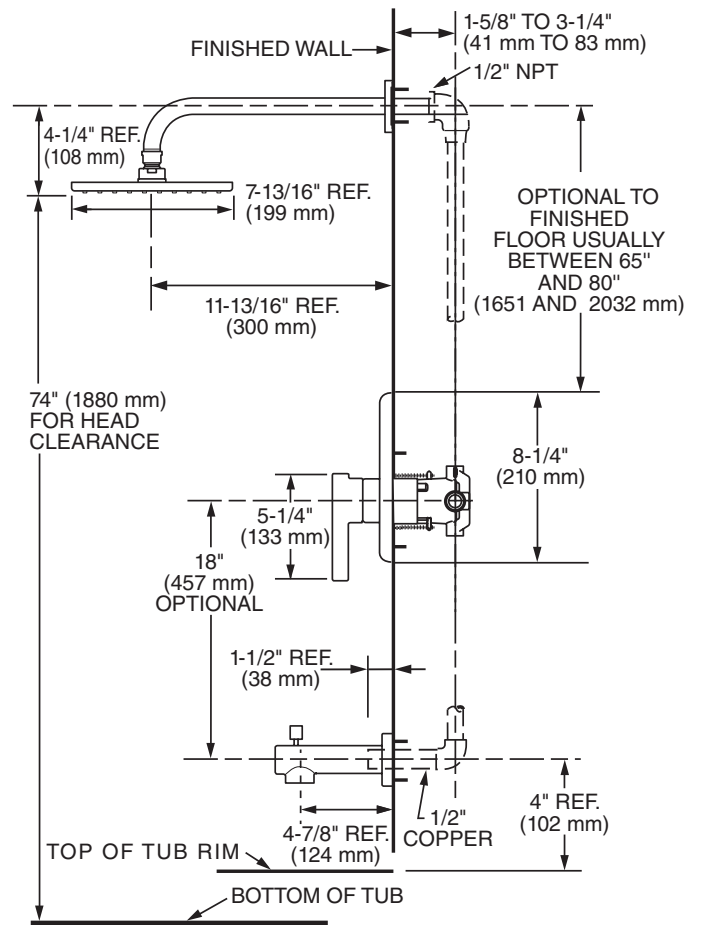
Available with metal lever handle. Metal wall escutcheon.

MODEL NUMBER:

TRIM KITS:

- ❑ T184.502 Times Square BATH/SHOWER Trim Kit
Metal Lever Handle. LESS Valve Body.
- ❑ T184.501 Times Square SHOWER ONLY Trim Kit
Metal Lever Handle. LESS Valve Body.
- ❑ T184.500 Times Square VALVE ONLY Trim Kit
Metal Lever Handle. LESS Valve Body.

*For use with R110 Series Pressure Balance Valves.
 See reverse side for available Rough Valves.*

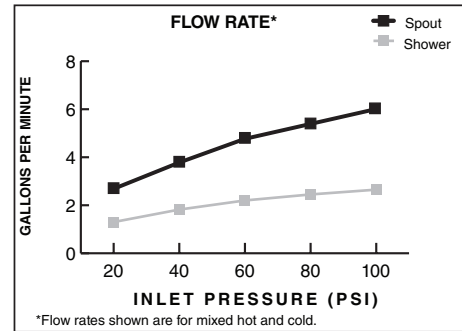


SUGGESTED SPECIFICATION:
 Bath/shower fitting shall feature brass square rain showerhead with Max. 2.5 gpm/9.5 L/min. flow rate. Fitting shall be:
 American Standard - Trim Kit Model # T184.50_._ and Valve Body Model # R11_.

CODES AND STANDARDS

These products meet or exceed the following codes and standards:

- ANSI A 117.1
- ASSE 1016
- ASME A112.18.1
- CSA B 125.1



Modifications	Parts Suffix*
	—IPT
	—WD

*To modify a product, add suffix after the 4th digit (ex. T064IPT502.002)

TRIM KITS *	Product Number	Description	* TRIM & ROUGH MUST BE ORDERED SEPARATELY.		Finish Options	
					Polished Chrome	PVD Satin Nickel
					002	295
T184.502	Bath/Shower Trim Kit. Metal Lever Handle. FloWise Showerhead. LESS Valve Body.					
T184.501	Shower Only Trim Kit. Metal Lever Handle. FloWise Showerhead. LESS Valve Body.					
T184.500	Valve Trim Only . Metal Lever Handle. LESS Valve Body.					

ROUGH VALVE BODIES	Product Number	Description
	R111	Rough Valve Body less trim. Universal inlets/outlets.
	R111SS	Rough Valve Body less trim. Universal inlets/outlets with Screwdriver Stops.
	R110	Rough Valve Body less trim. Direct sweat inlets/outlets.
	R110SS	Rough Valve Body less trim. Direct sweat inlets/outlets with Screwdriver Stops.
	R115	Rough Valve Body less trim. Female Thread inlets/outlets.
	R115SS	Rough Valve Body less trim. Female Thread inlets/outlets with Screwdriver Stops.
	R117	Rough Valve Body less trim. PEX inlets/universal outlets for Crimp Ring PEX system (ASTM F1807).
	R117SS	Rough Valve Body less trim. PEX inlets/universal outlets for Crimp Ring PEX system (ASTM F1807) with Screwdriver Stops.
	R118	Rough Valve Body less trim. PEX inlets/universal outlets for Cold Expansion PEX system (ASTM F1960).
	R118SS	Rough Valve Body less trim. PEX inlets/universal outlets for Cold Expansion PEX system (ASTM F1960) with Screwdriver Stops.
	R119	Rough Valve Body less trim. CPVC inlets/universal outlets.
R119SS	Rough Valve Body less trim. CPVC inlets/universal outlets with Screwdriver Stops.	

Meets the American Disabilities Act Guidelines and **ANSI A117.1** Requirements for the physically challenged.