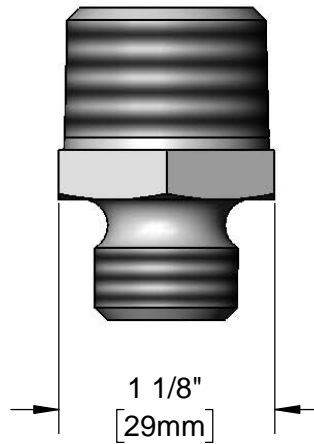
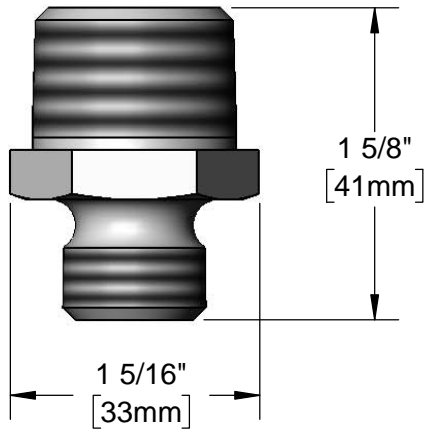
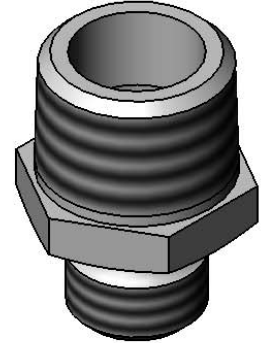




Architect/Engineering Specifications:

Chrome plated brass 3/4" NPT female x 3/4-14 UN male adapter. Certified to ASME A112.18.1/CSA B125.1, NSF 61-Section 9 and NSF 372.

Job Name _____
Model Specified _____ Quantity _____
Variations Specified _____
Date _____



Features & Benefits:

- Chrome plated brass adapter
- 3/4" NPT female x 3/4-14 UN male adapter
- Material: Chrome plated brass

Product Compliance:

- NSF 61 - Section 9
- NSF 372 (Low Lead Content)



Warranty: One Year (Limited)

Performance Data:

- N/A

