



**T&S BRASS AND BRONZE WORKS, INC.**

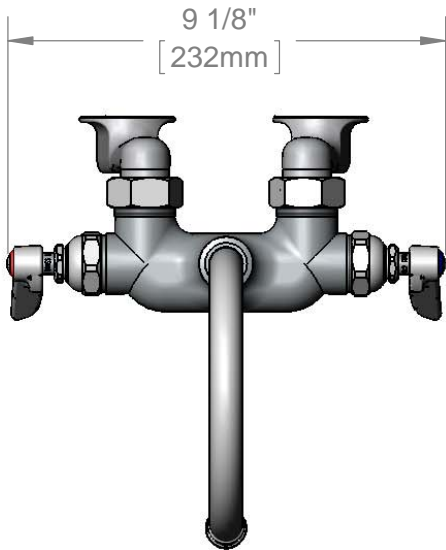
2 Saddleback Cove / P.O. Box 1088  
Travelers Rest, SC 29690

Model No.

**B-0340**

Item No.

Travelers Rest, SC: 800-476-4103 • Simi Valley, CA: 800-423-0150 • Fax: 864-834-3518 • www.tsbrass.com



**ADA Compliant**

This Space for Architect/Engineer Approval

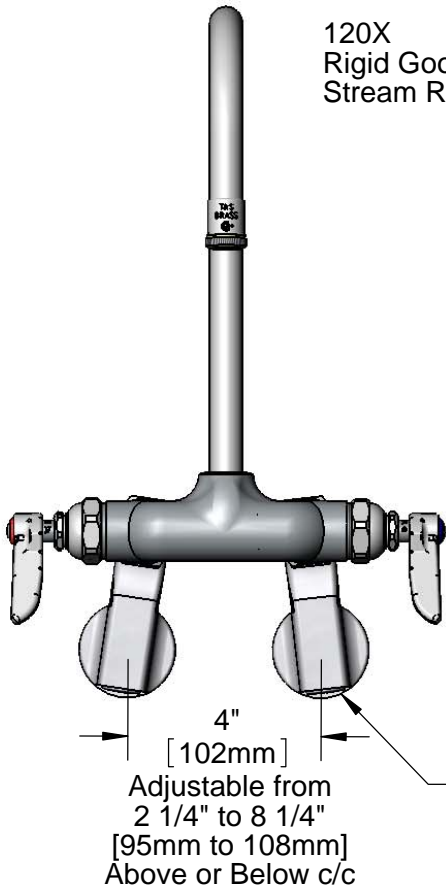
Job Name \_\_\_\_\_ Date \_\_\_\_\_

Model Specified \_\_\_\_\_ Quantity \_\_\_\_\_

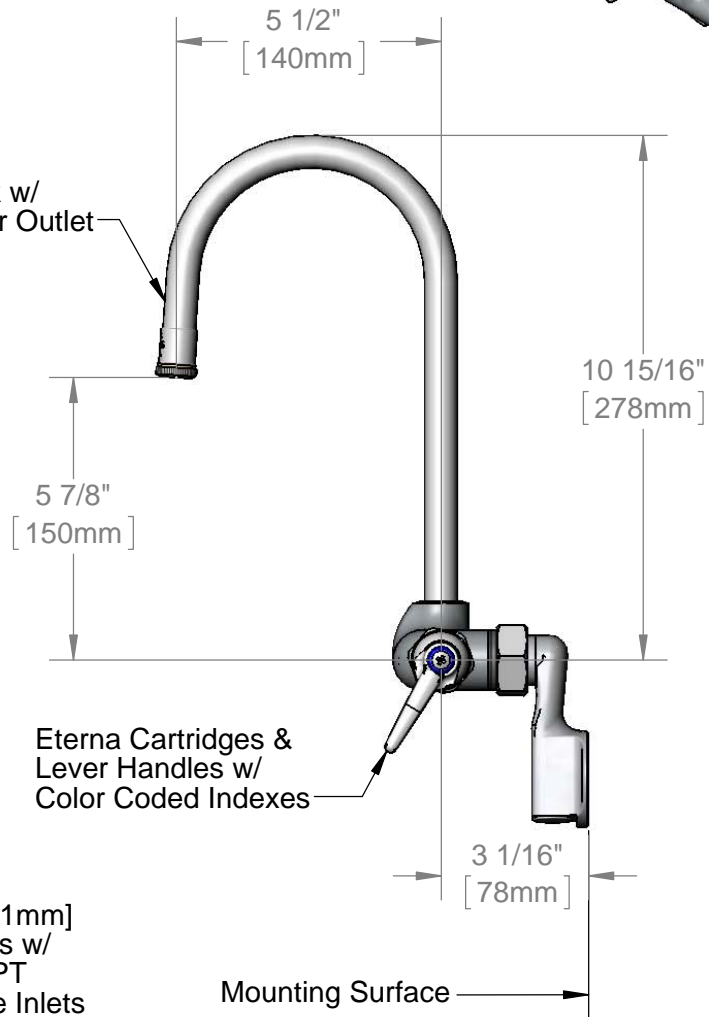
Customer/Wholesaler \_\_\_\_\_

Contractor \_\_\_\_\_

Architect/Engineer \_\_\_\_\_



120X Rigid Gooseneck w/ Stream Regulator Outlet



Eterna Cartridges & Lever Handles w/ Color Coded Indexes

4" [102mm]  
Adjustable from 2 1/4" to 8 1/4" [95mm to 108mm] Above or Below c/c

Ø 2" [51mm] Flanges w/ 1/2" NPT Female Inlets

Mounting Surface

Product Specifications:

Wall Mount Combination Sink Mixing Faucet w/ Eterna Cartridges, Lever Handles, Rigid Gooseneck w/ Stream Regulator Outlet, & 1/2" NPT Adjustable Inlet

Drawn

**DHL**

Checked

**KJG**

Approved

**JHB**

Scale:

**1:4**

Date:

**11/04/13**



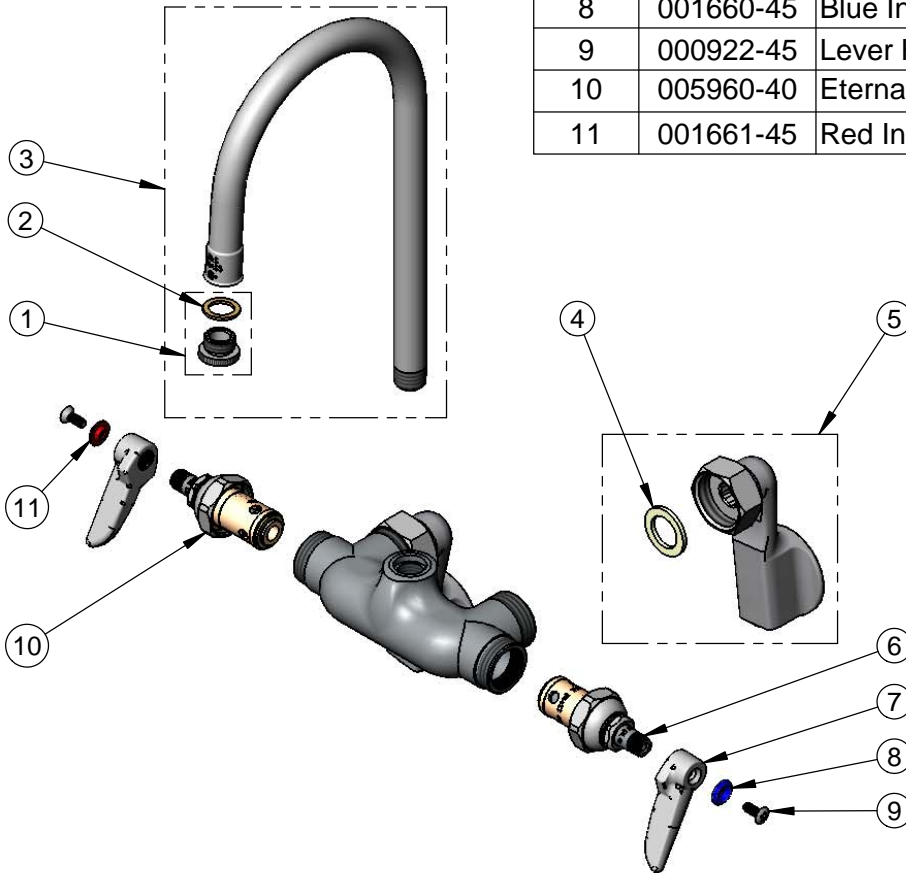
**T&S BRASS AND BRONZE WORKS, INC.**  
 2 Saddleback Cove / P.O. Box 1088  
 Travelers Rest, SC 29690

Model No.  
**B-0340**

Item No.

Travelers Rest, SC: 800-476-4103 • Simi Valley, CA: 800-423-0150 • Fax: 864-834-3518 • www.tsbrass.com

ITEM NO.	SALES NO.	DESCRIPTION
1	B-LT	Stream Regulator Outlet
2	001043-45	Washer
3	120X	Rigid Gooseneck w/ B-LT Stream Regulator
4	001019-45	Coupling Nut Washer
5	00GG	1/2" NPT Female Adjustable Arm Inlet Flange
6	005959-40	Eterna Cartridge, LTC
7	001638-45	Lever Handle
8	001660-45	Blue Index-CW
9	000922-45	Lever Handle Screw
10	005960-40	Eterna Cartridge, RTC
11	001661-45	Red Index-HW



Product Specifications:  
 Wall Mount Combination Sink Mixing Faucet w/ Eterna Cartridges,  
 Lever Handles, Rigid Gooseneck w/ Stream Regulator Outlet,  
 & 1/2" NPT Adjustable Inlet

Drawn <b>DHL</b>	Checked <b>KJG</b>	Approved <b>JHB</b>
Scale: <b>NTS</b>		Date: <b>11/04/13</b>