



**T&S BRASS AND BRONZE WORKS, INC.**

2 Saddleback Cove / P.O. Box 1088  
Travelers Rest, SC 29690

Model No.  
**B-0412-F Series**

Item No.

Travelers Rest, SC: 800-476-4103 Simi Valley, CA: 800-423-0150 Fax: 864-834-3518 www.tsbrass.com

This Space for Architect/Engineer Approval

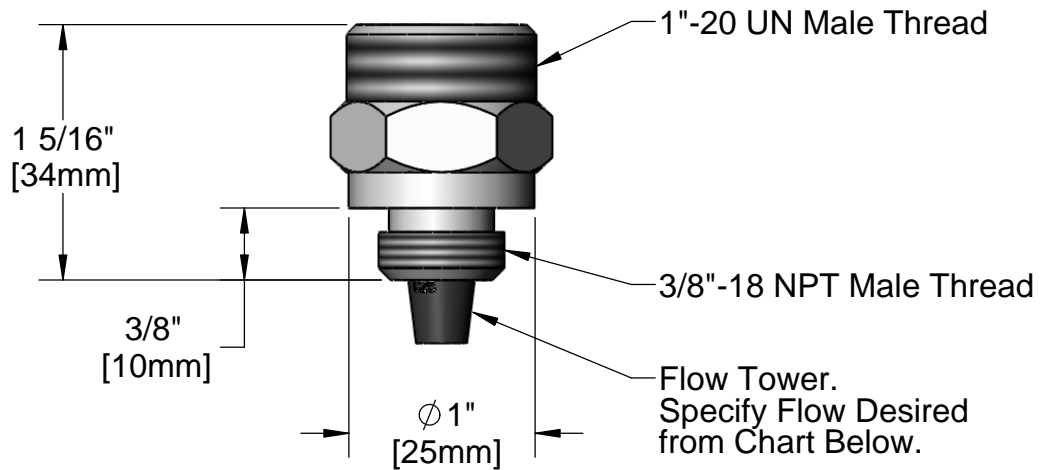
Job Name \_\_\_\_\_ Date \_\_\_\_\_

Model Specified \_\_\_\_\_ Quantity \_\_\_\_\_

Customer/Wholesaler \_\_\_\_\_

Contractor \_\_\_\_\_

Architect/Engineer \_\_\_\_\_



MODEL NO.	FLOW RATE	LASER MARKING	PREVIOUS COLOR
B-0412-F03	0.25 GPM	025	NO DOT
B-0412-F05	0.4 GPM	040	BROWN
B-0412-F07	0.7 GPM	070	GREEN
B-0412-F10	0.9 GPM	090	GRAY
B-0412-F12	1.2 GPM	120	ORANGE
B-0412-F15	1.4 GPM	140	PURPLE
B-0412-F16	1.6 GPM	160	RED
B-0412-F20	2.0 GPM	200	YELLOW

Product Specifications:  
**Rigid-to-Swivel Adapter Piece with Flow Tower**

Drawn <b>KJG</b>	Checked <b>DMH</b>	Approved <b>JHB</b>
Scale: <b>1:1</b>		Date: <b>02/23/12</b>