



4700 W. 160th St.
Cleveland, Ohio 44135
Ph: (800) 321-9532
Fax: (800) 321-9535
www.oatey.com

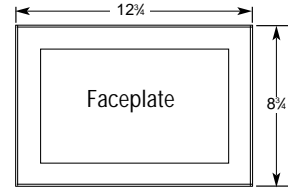
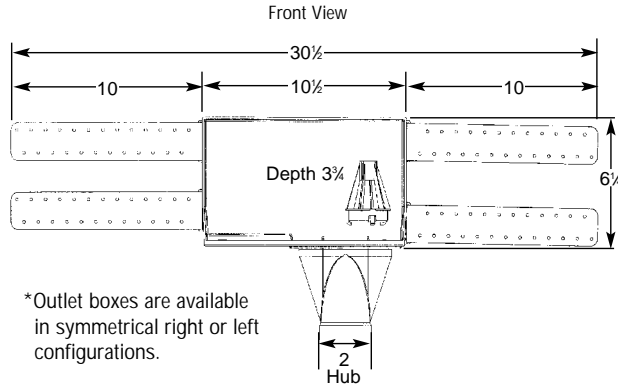
The Eliminator® Washing Machine Outlet Boxes



SUBMITTAL SPECIFICATION

Engineering Specification: Oatey Eliminator® Drain washing machine outlet boxes can be used in commercial or residential applications which require supply valves and waste drain recessed into the wall and an additional drain port is needed. Allows single connection to drain washing machine hose and AC condensate, water softener discharge and/or humidifier lines. Right Outlet Eliminator® box allows for drain connection on right, while Left Outlet Eliminator® allows for drain connection on the left side of the box. Available water hammer arrester option provides water pressure shock arrestors required for installation on supply lines to quick closing valves.

Job Reference



*Outlet boxes are available in symmetrical right or left configurations.

- (All dimensions in inches)
- 2" drain opening fits PVC or ABS Sch. 40 DWV pipe
 - All washing machine outlet boxes are shipped 12 per carton
 - Box made of high impact polystyrene
 - Single drain with two ports designed to accommodate additional drain lines
 - Snap-on faceplate frame accommodates up to 1" drywall
 - Snap-in clamp stabilizes additional lines

Right Outlet Eliminator®

✓	Prod. No	Description
	38630	1/4 Turn Brass Ball Valves - Copper Sweat - Standard Pack
	38631	1/4 Turn Brass Ball Valves - Copper Sweat - Standard Pack- Top Mount
	38632	1/4 Turn Brass Ball Valves - Copper Sweat - Contractor Pack
	38633	1/4 Turn Brass Ball Valves - ASTM F1807 PEX - Standard Pack
	38634	Single Lever Brass Ball Valve - Copper Sweat- Standard Pack
	38635	Single Lever Brass Ball Valve - ASTM F1807 PEX - Standard Pack
	38636	1/4 Turn Brass Ball Valves - ASTM F1807 PEX- Standard Pack - Top Mount
	38637	1/4 Turn Brass Ball Valves CPVC - Standard Pack
	38638	Single Lever Brass Ball Valve Copper Sweat - Standard Pack - Top Mount
	38639	Single Lever Brass Ball Valve Copper Sweat- Contractor Pack- Floating Valve
	38640	Plain Box - No Valves- Contractor Pack
	38641	1/4 Turn Brass Ball Valves- ASTM F1974 PEX - Contractor Pack
	38642	1/4 Turn Brass Hammer Ball Valves- Copper Sweat - Standard Pack
	38644	1/4 Turn Brass Ball Valves - ASTM F1960 PEX - Contractor Pack
	38645	1/4 Turn Brass Ball Valves - ASTM F1960 PEX - Standard Pack - Top Mount
	38651	Single Lever Brass Ball Valve- ASTM F1960 PEX - Standard Pack
	38652	1/4 Turn Brass Hammer Ball Valves-CPVC-Standard Pack
	38655	1/4 Turn Brass Hammer Ball Valves- Copper Sweat- Contractor Pack - Top Mount
	38656	1/4 Turn Brass Hammer Ball Valves- CPVC - Standard Pack - Top Mount
	38657	1/4 Turn Brass Hammer Ball Valves- ASTM F1807 PEX - Contractor Pack - Top Mount
	38658	1/4 Turn Brass Hammer Ball Valves- ASTM F1960 PEX - Contractor Pack - Top Mount
	38659	1/4 Turn Brass Hammer Ball Valves- ASTM F1974 PEX - Contractor Pack - Top Mount
	38675	1/4 Turn Brass Hammer Ball Valves- F2080 PEX - Standard Pack
	38677	1/4 Turn Brass Hammer Ball Valves- 3/8" PEX - Standard Pack
	38678	1/4 Turn Brass Hammer Ball Valves - F2080 PEX
	38679	Single Lever Brass Hammer Ball Valve - F2080 PEX

Left Outlet Eliminator®

	Prod. No	Description
	38520	1/4 Turn Brass Ball Valves- Copper Sweat - Standard Pack
	38521	1/4 Turn Brass Ball Valves- Copper Sweat - Contractor Pack
	38522	Single Lever Brass Ball Valve - Copper Sweat- Standard Pack
	38523	1/4 Turn Brass Ball Valves - CPVC - Standard Pack
	38524	1/4 Turn Brass Hammer Ball Valves - Copper Sweat - Standard Pack
	38525	1/4 Turn Brass Ball Valves - ASTM F1690 PEX - Standard Pack
	38526	1/4 Turn Brass Ball Valves - ASTM F1690 PEX - Standard Pack - Top Mount

Visit www.oatey.com for updates.



U.S. Patent # 6,148,850

Data is subject to manufacturing tolerances.
Water Hammer Arrestors Meet ASSE Standard 1010. Valves meet ASME A112.18.1

Accessories		
38646		Plastic Steeple Clamp
38649		Plastic Faceplate for Eliminator
38768		Plastic Brackets, 4" long, for plastic boxes
38648		Plastic Brackets, 12" long, for plastic boxes