

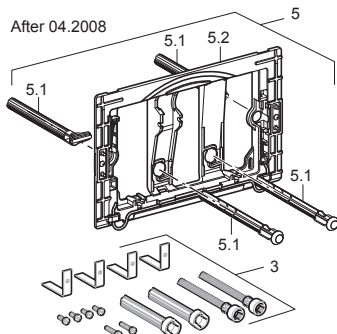
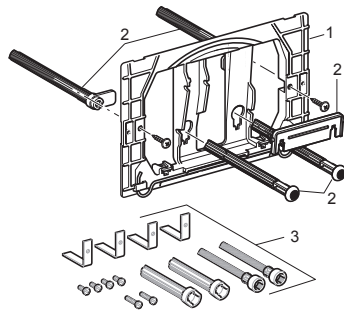
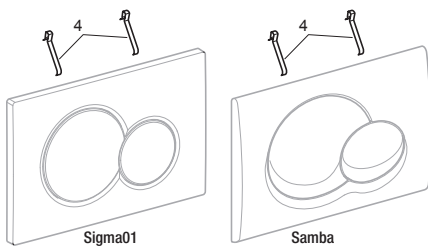
Replacement Parts for Sigma Actuators

115.770 115.758 115.778 115.788

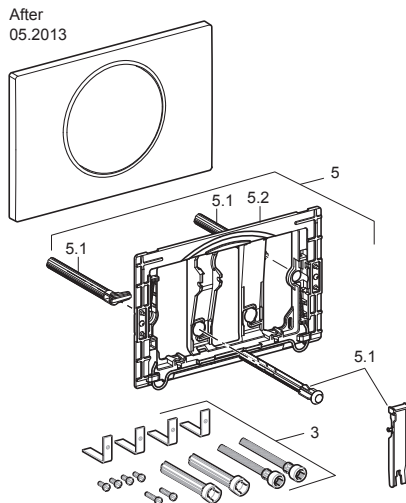
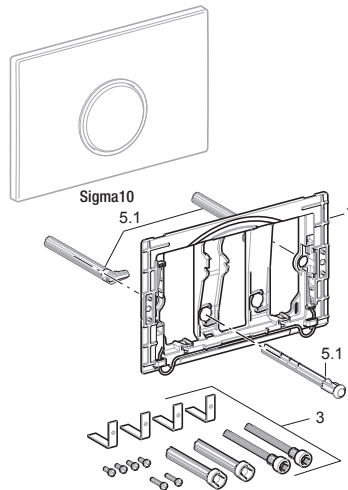


| Item No. | | | | | Model No. | Description |
|----------|-----|-----|-----|---|--------------|--|
| 1 | 1 | | | | 240.935.00.1 | Mounting Frame |
| 2 | | | | | 241.875.00.1 | Actuator bolt and rod kit |
| 3 | 3 | 3 | 3 | | 240.938.00.1 | Extension set for actuator plates for Sigma concealed tanks 2x6, 2x4 and Kappa concealed tanks |
| 4 | | | | 4 | 813.514.00.1 | Spring for actuator plate |
| 5 | 5 | 5 | 5 | | 241.873.00.1 | Conversion kit for tool-free assembly (converts units manufactured prior to 04.01.2008) |
| 5.1 | 5.1 | 5.1 | 5.1 | | 241.874.00.1 | Actuator bolt and rod kit, Tool-free assembly |
| 5.2 | 5.2 | 5.2 | 5.2 | | 241.876.00.1 | Mounting Frame, Tool-free assembly |

115.770



115.758



115.778, 115.788

